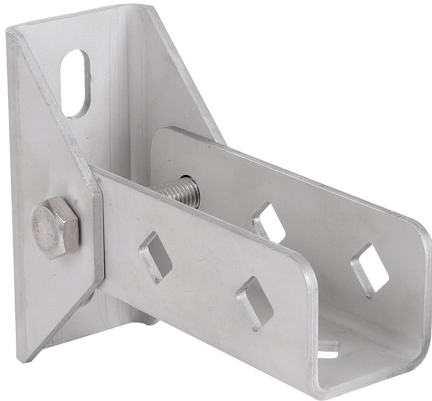


BIS Strut Stainless Steel Wall Plate (Hinged)

(M 53 15)

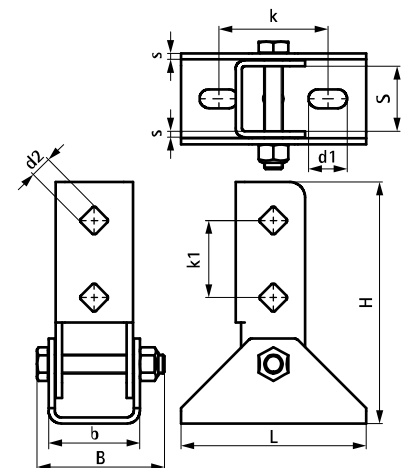
fixing to wall, floor or ceiling



Features and benefits

- wall plate with hinging U-profile
- for fixing of rail to wall, floor or ceiling
- rail can be fixed with slot downwards or sideways
- also used to strengthen constructions with Strut 41x41
- material: stainless steel 1.4404 (A4) - EN 10088, AISI 316L

Part No.	L	B	H	b	s	d1	d2	S	k	k1	For Rail	F _{a,z 2}	Pack 1
		(mm)	(mm)	(mm)	(mm)	(mm)	(mm)	(mm)	(mm)	(mm)		(N)	
66587814	120 mm	83	157	59	4.0	25x12.2	13.8	42	71	50	Strut	9,700	10 *
* Tested with rail 41x41x2.5 with throughbolts. More details can be found on the Technical Datasheet.													



Complementary

Walraven RapidStrut® Stainless Steel Fixing Rail
 Walraven RapidStrut® Stainless Steel Fixing Rail Double
 Walraven RapidStrut® Stainless Steel

Complementary

WTB1 Throughbolt Anchor SSt
 WDI1 Drop-in Anchor SSt
 Walraven RapidStrut® Stainless Steel Slide Nut with Tabs