

# BIS Strut Stainless Steel Tee-Bolt

(M 55 12)

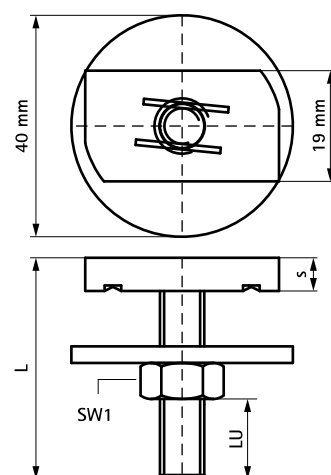
fixing to Strut rail



## Features and benefits

- slide nut with stud bolt and washer
- material: stainless steel

Part No.	G	L	LU (mm)	s (mm)	SW1 (mm)	For Rail	Pack 1	Pack 2
6527734	M8	40 mm	18.0	6.0	13	Strut	25	250
6527744	M10	50 mm	24.0	8.0	17	Strut	25	250
6527754	M12	50 mm	21.5	9.0	19	Strut	25	250



## Complementary

Walraven RapidStrut® Stainless Steel  
Fixing Rail  
Walraven RapidStrut® Stainless Steel  
Cantilever Arm