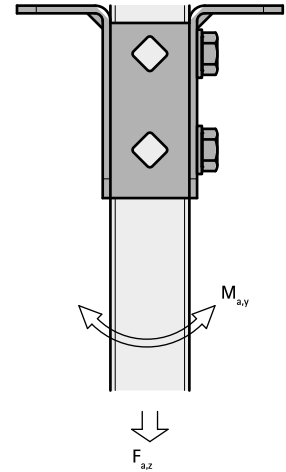


BIS Strut Stainless Steel T-shape Base Plate

(M 53 10)

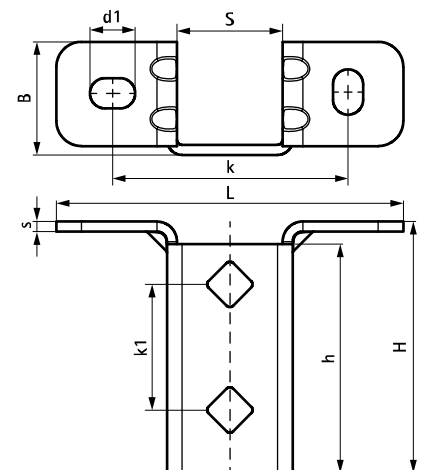


Features and benefits

- highly flexible base plate for Strut rails
- open side of the rail can be turned to all sides
- extra safety by reinforced bending
- hole pattern is adapted to the hole pattern of Strut rails
- material: stainless steel 1.4404 (A4) - EN 10088, AISI 316L

Part No.	L	B	H	h	s	d1	S	k	k1	F _{a,z}	F _{a,z 2}	M _{a,y}	Pack 1
		(mm)	(mm)	(mm)	(mm)	(mm)	(mm)	(mm)	(mm)	(N)	(N)	(Nm)	
66587361	138 mm	45	100	91	4.0	18 x 12	42	95	50	3,636	3,636	164.0	10

F_{a,z}: max. allowed load in combination with 2 slide nuts M10, tightened with 40 Nm.
F_{a,z 2}: max. allowed load in combination with 2 throughbolts M10, tightened with 40 Nm.
M_{a,y}: max. moment in combination with 2 throughbolts M10, tightened with 40 Nm.



Complementary

- Walraven RapidStrut® Stainless Steel Fixing Rail
- Walraven RapidStrut® Stainless Steel Fixing Rail Double
- WTR1 Throughbolt Anchor SSt

Complementary

- WD11 Drop-in Anchor SSt
- Walraven RapidStrut® Stainless Steel Slide Nut with Tabs