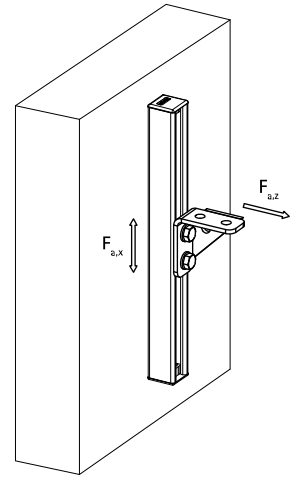


# BIS Strut Stainless Steel Connector 90° Rigid

(M 60 04)

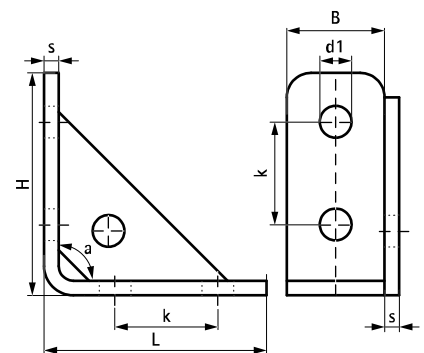
to make Strut rail fabrications



## Features and benefits

- reinforced connector to make rigid fabrications with Strut rails
- easy fitting due to rounded edges
- material: stainless steel 1.4404 (A4) - EN 10088, AISI 316L

Part No.	L	B	H	s	d1	k	a	For Rail	F <sub>a,z</sub>	F <sub>a,z 2</sub>	F <sub>a,x</sub>	F <sub>a,x 2</sub>	Pack 1
		(mm)	(mm)	(mm)	(mm)	(mm)	(°)		(N)	(N)	(N)	(N)	
66587291	110 mm	40	110	4	12.2	50	90°	Strut	4,000	8,000	3,000	7,000	25
<i>F<sub>a,z</sub></i> : max. allowed load acc. RAL GZ-655D (with rail 41x41x1.5). <i>F<sub>a,z2</sub></i> : max. allowed load (with rail 41x41x2.5). <i>F<sub>a,x</sub></i> : max. allowed load acc. RAL GZ-655D (with rail 41x41x1.5 and bolted 2 x M12 - 30Nm). <i>F<sub>a,x2</sub></i> : max. allowed load (with rail 41x41x2.5 and bolted 2 x M12 - 60Nm).													



### Complementary

- Walraven RapidStrut® Stainless Steel Fixing Rail
- Walraven RapidStrut® Stainless Steel Fixing Rail Double
- Walraven RapidStrut® Stainless Steel

### Complementary

- Walraven RapidStrut® Stainless Steel Slide Nut with Tabs
- BIS Stainless Steel Hexagon Head Screw
- BIS Strut Stainless Steel Washer (Flat)