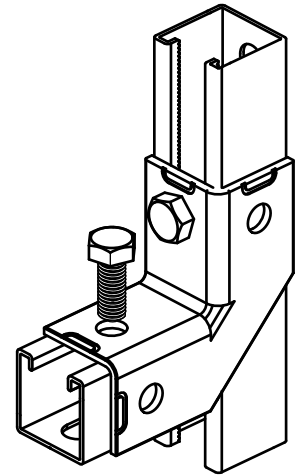


BIS Strut Stainless Steel Connector 90° / 2D

(M 60 110)

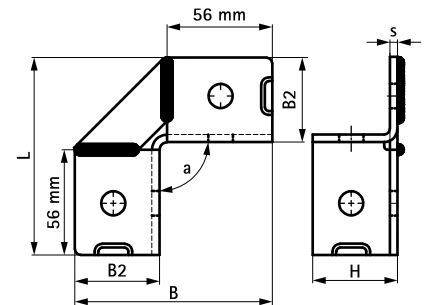
to make Strut rail fabrications



Features and benefits

- flexible connector allows different rail positioning
- material: stainless steel 1.4401 (AISI 316)
- strong connection by surrounding the rail

| Part No. | d (mm) | Model | L | B | B2 | H | s | k | a | For Rail | Pack 1 |
|----------|-----------|----------|--------|-----|----|----|-----|---|----|----------|--------|
| 66597914 | 13 mm | 2+2 / 90 | 105 mm | 105 | 45 | 45 | 4.0 | - | 90 | Strut | 10 |



Complementary

- Walraven RapidStrut® Stainless Steel Fixing Rail
- Walraven RapidStrut® Stainless Steel Fixing Rail Double
- Walraven RapidStrut® Stainless Steel Slide