

BIS Strut Stainless Steel Beam Clamp

(M 62 17)

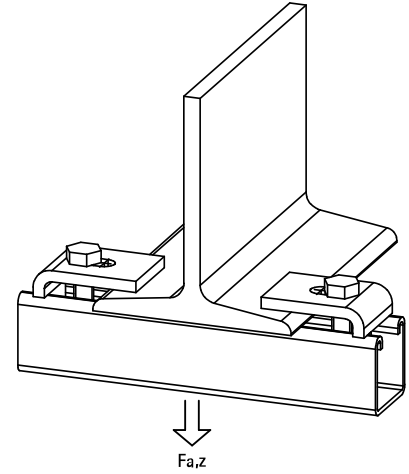
to make Strut rail fabrications



657 1 731



657 1 751



Features and benefits

- for a solid fixing to steel construction without the need for welding or drilling
- always use 2 beam clamps per fixing
- material: stainless steel

Part No.	A (mm)	L	B (mm)	h (mm)	s (mm)	d1 (mm)	k (mm)	F _{a,z} (N)	Pack 1
6571731	10	50 mm	50	-	6.0	22 x 11	30	8,000	50

