

# BIS Strut Stainless Steel Angle Connector 90°

(M 60 08)

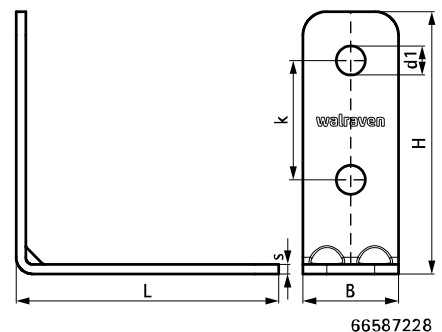
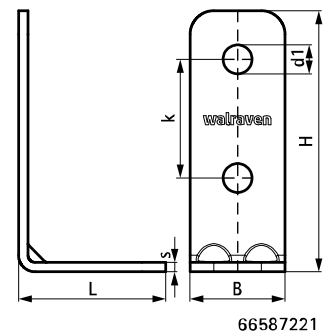
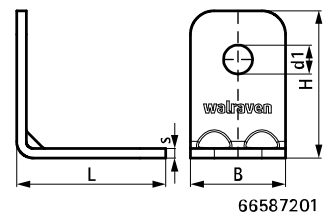
to make Strut rail fabrications



## Features and benefits

- angle connector for all Strut rails to make fabrications
  - the hole pattern is adapted to the hole pattern of Strut rails to use throughbolts
  - user friendly by rounded edges
  - with reinforced bend for extra strength
- material: stainless steel 1.4404 (A4) - EN 10088, AISI 316L

Part No.	Model	L	B	H	s	d1	k	a	Pack 1
		(mm)	(mm)	(mm)	(mm)	(mm)	(mm)	(°)	
66587201	Short / short	62 mm	40	62	4.0	Ø 12.2	-	90	50
66587221	Short / long	62 mm	40	110	4.0	Ø 12.2	50	90	25
66587228	Long / long	110 mm	40	110	4.0	Ø 12.2	50	90	25



### Complementary

Walraven RapidStrut® Stainless Steel Cantilever Arm  
Walraven RapidStrut® Stainless Steel Slide  
Nut with Tabs  
BIS Stainless Steel Hexagon Head Screw

### Complementary

BIS Strut Stainless Steel Washer (Flat)