

# BIS Stainless Steel Washer (Flat)

(M 29 30)

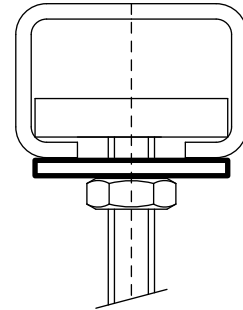
fixing to Walraven RapidRail®



A



B

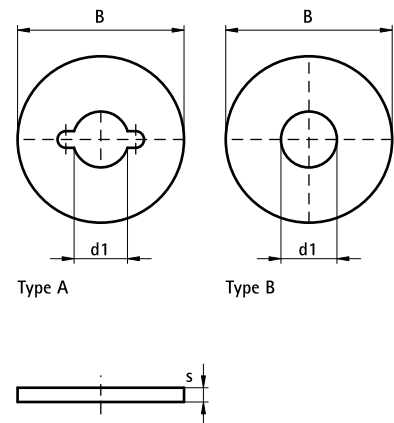


## Features and benefits

- flat washer
- material: stainless steel 1.4401 (AISI 316)

Part No.	Type	B (mm)	s (mm)	d1 (mm)	For Rail	Pack 1	Pack 2
6537006	A	25	2.50	∅ 6.5	30x15, 30x20, 30x30	50	500
6537008	A	25	2.50	∅ 8.5	30x15, 30x20, 30x30	50	500
6537010	A	25	2.50	∅ 10.5	30x15, 30x20, 30x30	50	500
6537012	B	28	3.00	∅ 14.0	30x15, 30x20, 30x30	50	500
6537016	B	30	3.00	∅ 17.0	30x15, 30x20, 30x30	50	500

∅ 10.5 and above tested for fire safety.



## Complementary

Walraven RapidRail® Stainless Steel Fixing  
Rail  
Walraven RapidRail® Stainless Steel  
Cantilever Arm