

# BIS Stainless Steel Slide Nut

(M 29 10)

fixing to Walraven RapidRail®



6511008

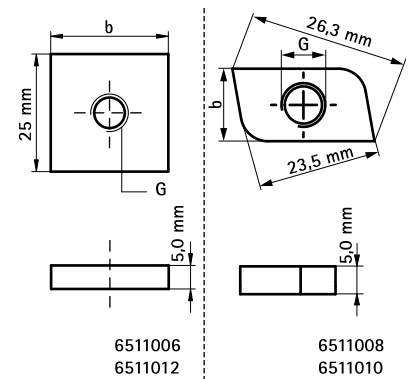


6511012

## Features and benefits

- because of shape the nut fits in rail
- material: stainless steel 1.4401 (AISI 316)

Part No.	G	b (mm)	s (mm)	T <sub>(inst.)</sub> (Nm)	For Rail	Pack 1	Pack 2
6511010	M10	13,8	5.0	15.0	30x15, 30x20, 30x30	50	1,000
6511012	M12	25.0	5.0	30.0	30x15, 30x20, 30x30	50	500



### Complementary

Walraven RapidRail® Stainless Steel Fixing  
Rail  
Walraven RapidRail® Stainless Steel  
Cantilever Arm

### Alternative

Walraven RapidRail® Stainless Steel Slide  
Nut