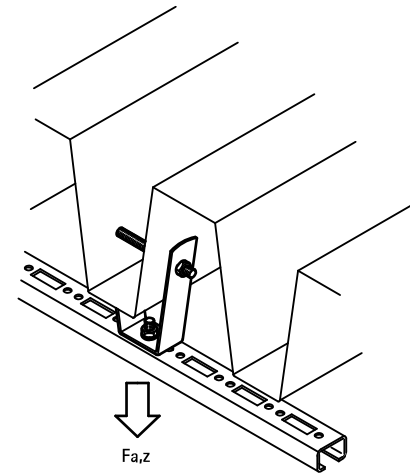


BIS Stainless Steel Roofing Sheet Hanger

(M 67 05)

fixing to profiled roofing sheet

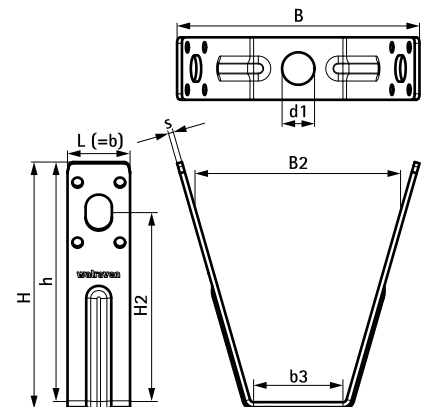


Features and benefits

- for mounting to profiled roofing sheet by means of pop rivets or threaded rod
- material: stainless steel, A4
- for applications in environments requiring increased corrosion resistance
- variable distance to roof hanger by using a threaded rod

Part No.	L	B	B2	b3	H	h	s	d1	h2	Fa,z	Pack 1
		(mm)	(mm)	(mm)	(mm)	(mm)	(mm)	(mm)	(mm)	(N)	
6787001	25 mm	97.9	81.8	38	99.6	96.1	2.5	Ø 13.0 mm	75.7	2,300	50

Maximum load ($F_{a,z}$) depends on the load capacity of the trapezium shaped roofing sheet. Before mounting, the roof load capacity has to be confirmed by a structural engineer.



Complementary
BIS Hole Punching Plier