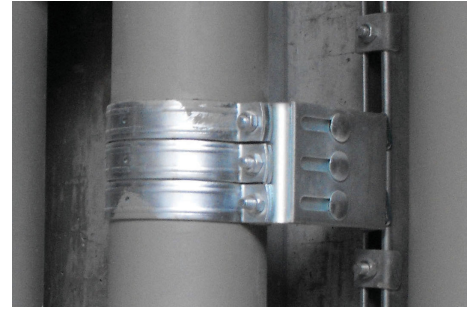


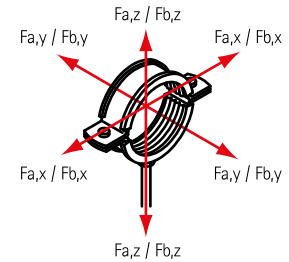
# BIS Fixpoint Console 'Medium' (BUP1000)

(E 05 51)



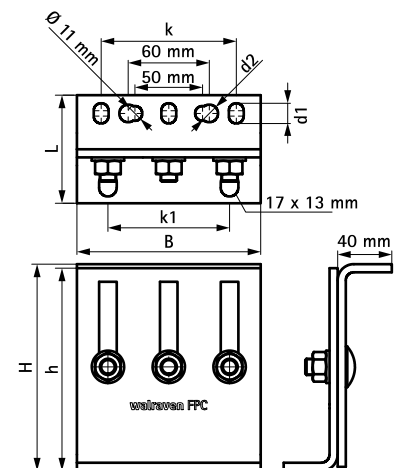
## Features and benefits

- suitable for BISOFIX® Cold FixPoint Clamps (see E 05 03)
  - flexible use console module for high forces (depending on the situation, detailed design by technical service)
  - can be used as a pipe connection point in conjunction with 2 or 3 heavy-duty clamps type HD500 up to max. 227 mm
  - tightening torque 75 Nm for the console fixing screws
  - connection to the building is recommended with metal anchors M12
  - infinitely adjustable height and inclination, high corrosion protection
- material: steel 1.0332
  - surface protection:
    - product is part of the Walraven BIS UltraProtect® 1000 system
    - suitable for in- and outdoor applications
    - stands min. 1,000 hours salt spray test (max. 5% red rust) according to ISO 9227



Part No.	L	B	H	h	d1	d2	k	k1	F <sub>a,z</sub>	F <sub>a,y</sub>	F <sub>a,x</sub>	Pack 1
	mm	(mm)	(mm)	(mm)	(mm)	(mm)	(mm)	(mm)	(N)	(N)	(N)	
6698206	80 mm	136	153 - 268	150	15 x 11	Ø 13.0	100	90	14,300	11,500	3,200	1 *

*\* Depending on the situation, please contact Walraven Technical Support for advice on safe loads. Note! Console, Clamps and Anchors are to be ordered separately.*



### Complementary

- BISOFIX® CF Cold FixPoint Clamp
- BIS Heavy Duty Clamp HD500 (BUP1000)
- BIS Heavy Duty Clamp HD500 (BUP1000)

### Complementary

- BIS Heavy Duty Clamp HD500 (BUP1000)
- WTB1 Throughbolt Anchor
- WD11 Drop-in Anchor