

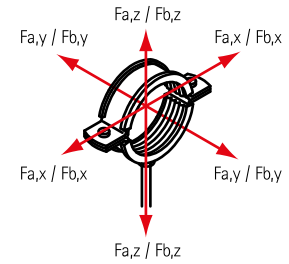
BIS Fixpoint Console 'Light' (BUP1000)

(E 05 49)



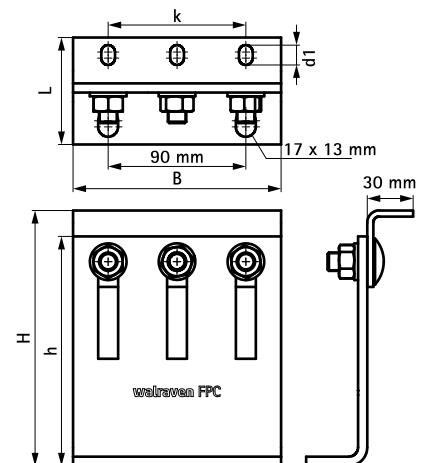
Features and benefits

- flexible use console module for high forces up to 5 KN (depending on the situation, detailed design by technical service)
- tested as a sound-insulated fixed point with lined heavy duty clamps
- can be used as a pipe connection point in conjunction with 2 or 3 heavy-duty clamps type HD500 (up to 140 mm) or HD1501 (up to 154 mm)
- tightening torque 75 Nm for the console fixing screws
- connection to the building is recommended with metal anchors M12
- infinitely adjustable height and inclination, high corrosion protection
- material: steel 1.0332
- surface protection:
 - product is part of the Walraven BIS UltraProtect® 1000 system
 - suitable for in- and outdoor applications
 - stands min. 1,000 hours salt spray test (max. 5% red rust) according to ISO 9227



Part No.	L	B	H	h	d1	k	Pack 1	
		(mm)	(mm)	(mm)	(mm)	(mm)		
6698204	70 mm	136	110 - 167	150	13 x 9	90	-	*

** Depending on the situation, please contact Walraven Technical Support for advice on safe loads.
Note! Console, Clamps and Anchors are to be ordered separately.*



Complementary

- BIS Heavy Duty Clamp HD1501 (BUP1000)
- BIS Heavy Duty Clamp HD1501 (BUP1000)
- BIS Heavy Duty Clamp HD1501 (BUP1000)

Complementary

- BIS Heavy Duty Clamp HD500 (BUP1000)
- BIS Heavy Duty Clamp HD500 (BUP1000)
- BIS Heavy Duty Clamp HD500 (BUP1000)