

BIS Expansion Device

(E 10 22)

fixing with sliding assemblies



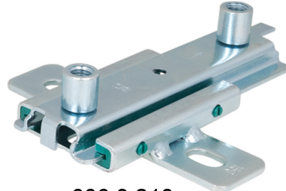
666 3 410



666 3 412



666 3 416



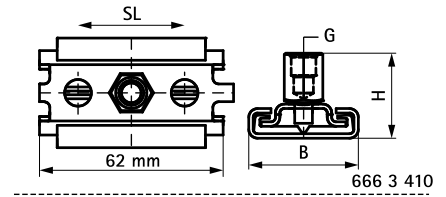
666 3 210

Features and benefits

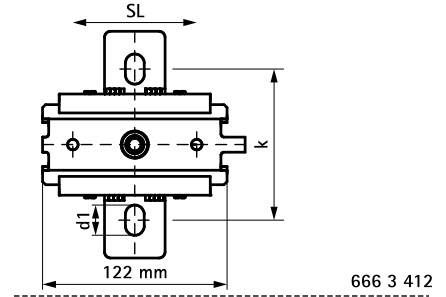
- single and double brackets for pipe extensions
- friction coefficient $\mu = 0.18$; Sliding friction coefficient $\mu = 0.14$
- zinc plated
- fix directly on the building structure or in combination with rail systems
- suitable for ceiling mounting (suspended) and floor mounting (standing mounted)
- a variety of connection possibilities, can be combined with all pipe clamps
- material: metal parts made of steel; plastic parts made of POM (polyoxymethylene) / PPS (polyamphenylensulfid)
- temperature resistance up to +120 °C
- Part No. 6663416: temperature resistance up to +240 °C

| Part No. | Model | G | B (mm) | H (mm) | d1 (mm) | k (mm) | SL (max.) (mm) | F _{a,z} (N) | F _{a,z 2} (N) | Pack 1 |
|----------|--------|--------|-----------|-----------|------------|-----------|-------------------|-------------------------|---------------------------|--------|
| 6663410 | Single | M8/10 | 37 | 29 | 8.4 | - | 42 | 700 | 700 | 50 |
| 6663412 | Single | M10/12 | 150 | 46 | 20 x 12.5 | 100 | 80 | 2,300 | 2,300 | 10 |
| 6663416 | Single | M12/16 | 188 | 57 | 20 x 12.5 | 157 | 120 | 9,000 | 5,000 | 10 |
| 6663210 | Double | M10/12 | 150 | 46 | 20 x 12.5 | 100 | 140 | 2,300 | 2,300 | 10 |

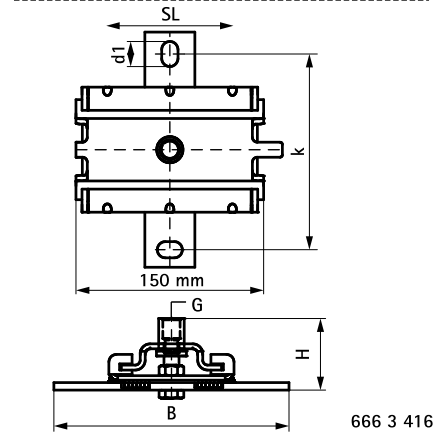
F_{a,z} = standing mounted; F_{a,z 2} = suspended.



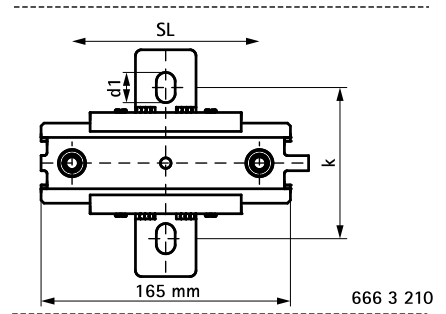
666 3 410



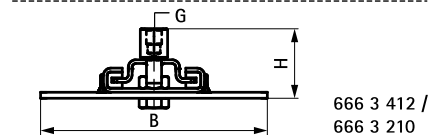
666 3 412



666 3 416



666 3 210



666 3 412 /
666 3 210

Complementary

- BIS Stud Bolt
- BIS Threaded Rod
- WDI1 Drop-in Anchor

Complementary

- WTB1 Throughbolt Anchor

Alternative

- BIS Expansion Device (BUP1000)
- BIS Expansion Guide Assembly (BUP1000)