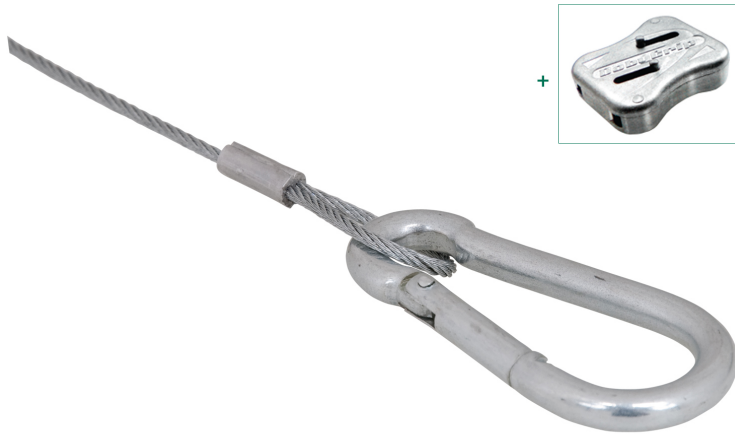


# BIS DobyGrip Snap End Hook

(K 65 20)

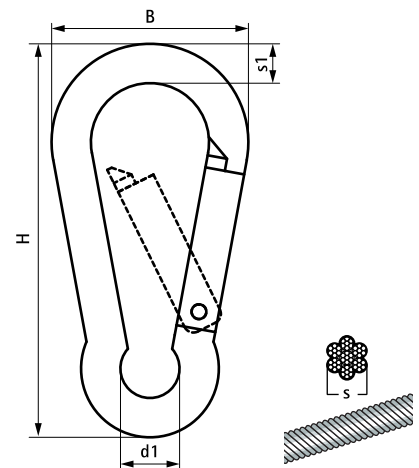


## Features and benefits

- for a quick and easy fixing to hooks and suspension eyes
- reduces installation time compared to conventional methods
- wire suspension system for high loads
- all wires are supplied including BIS DobyGrip Lock
- material: 7x7 stranded galvanized steel wire rope
- strict quality inspection procedures and independent tests ensure reliability
- see also: BIS DobyGrip Info Page

Part No.	L	B	H	s	s1	d1	F <sub>a,z</sub>	Pack 1	Pack 2
		(mm)	(mm)	(mm)	(mm)	(mm)	(N)		
09486201	1 m	30	60	2.0	6.0	9.0	500	10	250
09486202	2 m	30	60	2.0	6.0	9.0	500	10	100
09486203	3 m	30	60	2.0	6.0	9.0	500	10	100

*Loads tested to a 5:1 safety factor. All ratings were determined by independent testing by Northumbria University and witnessed by Lloyds Register.*



**Complementary**  
 Britclips® Tiger  
 Britclips® FC  
 BIS HK

**Complementary**  
 BIS Toggle Plug (Stud-end)