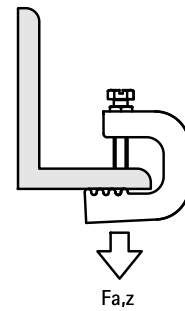
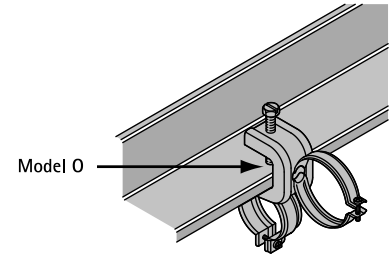


BIS Beam Clamp Model O

(K 20 15)

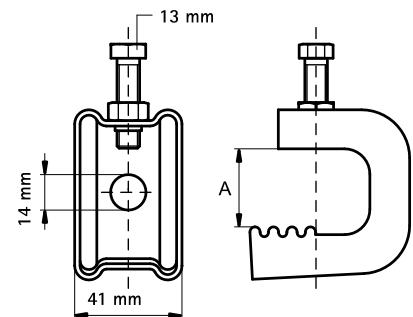
for flange up to 45 mm



Features and benefits

- for a solid fixing to steel construction without the need for welding or drilling
- up to flange thickness 45 mm
- with hole \varnothing 14 mm for fixing of BIS IC-clamp, stud bolt or S-Hook
- with serration for increased security
- material: steel
- surface treatment: Dacromet
- see also: IC-clamp (for conduit or cable); square nut (for threaded rod) or protective cap (to avoid damaging of protected surfaces)

Part No.	A (mm)	$F_{a,z}$ (N)	Pack 1
6077020	≤ 20	1,100	25
6077030	≤ 30	1,200	25
6077045	≤ 45	1,300	25



Complementary

BIS Stud Bolt
BIS Beam Clamp Model O - Accessories