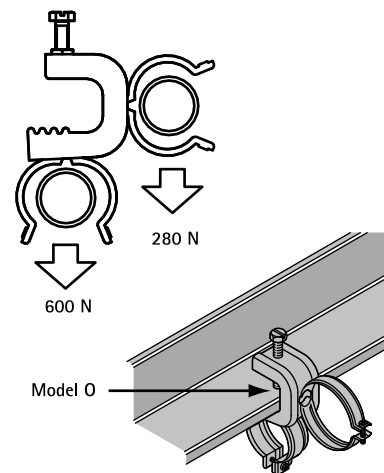


# BIS Beam Clamp Model O – Accessories

(K 20 20)

accessories for BIS Beam Clamp Model O



## Features and benefits

- Part No. 60772XX: for fixing of clamps or cables to BIS Beam clamp model 'O' (Part No. 60770XX)
- material: clamp and square nut made of steel
- Part No. 607 7 2XX: surface treatment: Dacromet

Part No.	D (mm)	Model	G	b x s (mm)	F <sub>a,z</sub> (N)	F <sub>a,z 2</sub> (N)	Pack 1	Pack 2
6077220	16,0 - 20,0	BIS IC-Clamp	M5	16 x 1.5	600	280	50	200
6077225	20,4 - 25,0	BIS IC-Clamp	M5	16 x 1.5	600	280	50	200
6077231	26,9 - 31,8	BIS IC-Clamp	M5	16 x 1.5	600	280	50	200
6077238	33,7 - 38,0	BIS IC-Clamp	M6	20 x 1.5	600	280	50	200
6077244	40,0 - 44,5	BIS IC-Clamp	M6	20 x 1.5	600	280	50	200

