

BIS Aluminium Clamp for Flues

(F20 05)

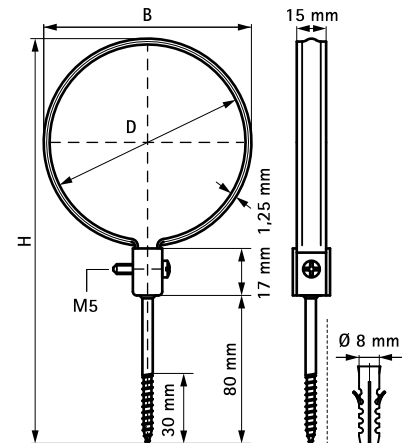
for flues \varnothing 70 - 150 mm



Features and benefits

- one-part clamp with pre-assembled threaded shoulder wood screw
- material: clamp made of aluminium 3.0255; connector made of plastic
- connector temperature resistance to approx. 110 °C

Part No.	D (mm)	B (mm)	H (mm)	F _{a,z} (N)	Pack 1
4109080	80	84	180	450	25
4109100	100	107	200	450	25
4109110	110	114	210	450	25
4109130	130	134	230	450	25
4109150	150	154	250	450	25



Alternative

BIS Aluminium Clamp for Spiral Ducts