

Walraven Strut Vægbeslag (Side åbning)

(H 12 50)

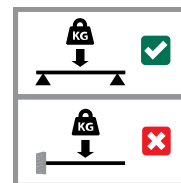
befæstelse til væg eller loft



6658 3 801

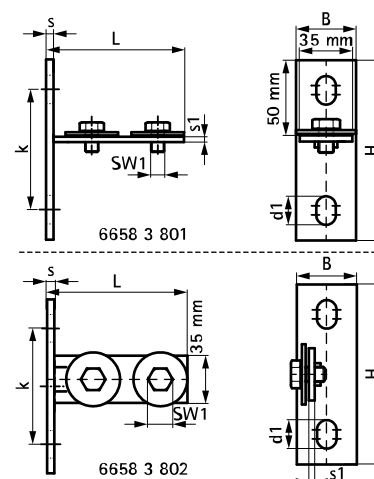


6658 3 802



Funktioner og fordele

- hurtig installation
 - ideal for fastening RapidStrut® Fixing Rails as traverses in shafts or racks
 - suitable for rails type 21, 41 or 21 Double
 - with pre-assembled screws M10x16mm / SW17 and washers 10,5x40mm
 - elforzinket
- materiale: stål 1.0332



Art.nr.	VVS nr.	Model	L	B	H	s	s1	d1	k	T _(inst.)	F _{a,y}	F _{a,y2}	F _{a,x}	F _{a,x 2}	Pakke1
			(mm)	(mm)	(mm)	(mm)	(mm)	(mm)	(mm)	(Nm)	(N)	(N)	(N)	(N)	
66583801		Horizontal	104 mm	40	120	5,0	4,0	19 x 13	80	15,0	4.280*	9.880**	1.760*	1.980**	25
66583802	018041188	Vertical	104 mm	40	120	5,0	4,0	19 x 13	80	15,0	4.280*	9.880**	1.760*	1.980**	25

* F_{a,y} and F_{a,x} fixed on rail type L (1,5mm thickness) with M12 and 25Nm.

** F_{a,y2} and F_{a,x2} fixed on rail type H (2,5mm thickness) with M12 and 35Nm.