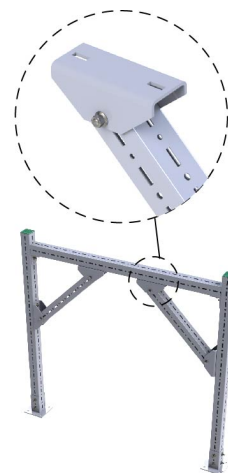
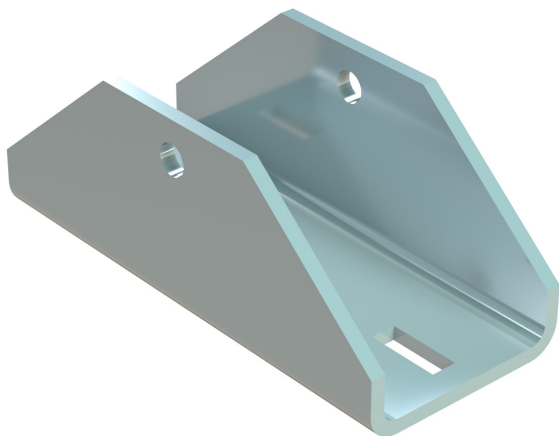


Walraven Maxx Hinged Connector

(H2 05 20)

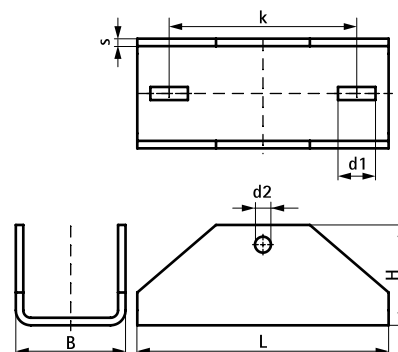
for hinged connections with Maxx profiles



Funktioner og fordele

- U-shaped plate for hinged connections made from Maxx Profiles 100x100 (MX100)
- applicable as bracing element for Maxx Profile constructions
- to be used in combination with profiles MX100 and Bolt Set M16x140mm (Part No. 614581614, to be ordered seperately)
- material: steel 1.0044 (S275JR)
- varmforzinket

Art.nr.	L	B	H	s	d1	d2	k	For skinne	F _{a,z} (N)	Pakke1	Enhed
6581815	268 mm	117	107	8	40x14	17	200	MX100	14.100	1	Stk



Supplement

- Walraven Maxx Profilskinne
- Walraven Maxx T-bolt
- Walraven Maxx Montagebolt Sæt (Zinkflage)