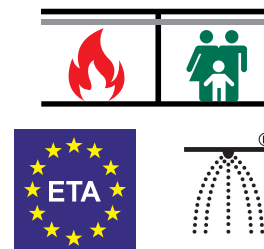
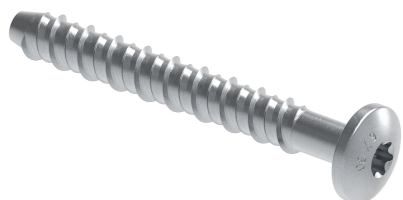


## W-LX-P Betonskrue

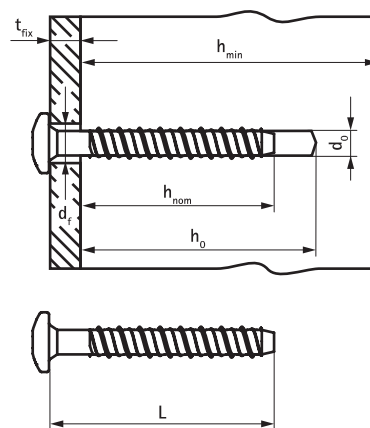
(L 03 56)

elforzinket betonskrue med Ø 14,6 mm panhoved og torx T30



## Funktioner og fordele

- meget høj belastningskapacitet
- godkendt for brug i præfabrikerede hule plader
- op til 3 forankringsdybder giver maksimal installations- og designfleksibilitet
- reduceret afstand mellem kant og anker muligt
- kan fjernes
- unik spids- og gevindgeometri forhindrer betonspaltning
- materiale: stål
- elforzinket
- brandmodstandsklasse R30-R120 for design af anker under påvirkning af brand
- overholder VdS CEA 4001: 2014-04 (05) og VdS CEA 4001: 2018-01 (06) til applikationer med sprinklersystemer i betonelementer
- Materiale anvendelse:
  - revnet beton
  - ikke-revnet beton
  - forstøbte stressede huldæk



Art.nr.	VVS nr.	L	d <sub>0</sub>	h <sub>0</sub>	h <sub>min</sub>	h <sub>nom</sub>	t <sub>fix,max</sub>	Drive	Anbe. Trækraft C20/25 Beton (kN)	ETA	Pakke1
62431304	018049604	40 mm	6	45/50	80/80	35/39	5/1	T30	1,42 / 2,85**	ETA-21/0613*	100
62431306	018049606	60 mm	6	45/50/65	80/80/84	35/39/55	21/21/5	T30	1,42/2,85/4,28**	ETA-21/0613*	100

\*Performance and installation data is given for the specified European Technical Assessment. For full product data please refer to product data sheets. ETA-21/0612 according to EAD 330232-00-0601 anchoring in cracked and non-cracked concrete; ETA-21/0613 according to EAD 330747-00-0601 for multiple use for non-structural applications.

\*\*Recommended load includes a partial safety factor and an overall partial safety factor for action of 1.4. The partial safety factor for action depends on the type of loading and shall be taken from national regulations. All anchor failure modes and the entire relevant product European Technical Assessment must be considered for anchor design.