

BIS Tacker System

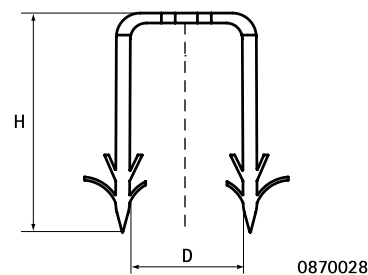
(O 15 20)

til gulv rør Ø 14 - 20 mm

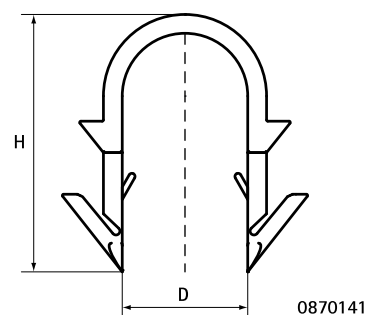


Funktioner og fordele

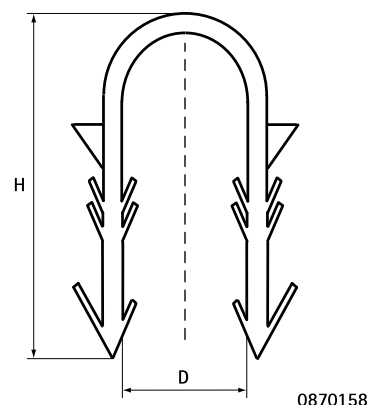
- the BIS Tacker system consists of wide and stable clamps and a problem free tacker device
- Art.nr. 693 0 001: Tacker device for a quick processing of tacker clamps (KA8 and KAL)
- Art.nr. 0870141 (type KA8): for insulating plates from 25 mm thickness with foil
- Art.nr. 0870158 (type KAL): for insulating plates from 40 mm thickness without foil (e.g. Styrodur®, Styropor®)
- for floor pipe up to Ø 20 mm
- Art.nr. 6930001: Tacker device for a quick processing of tacker clamps (KA8 and KAL)
- Art.nr. 0870141 (type KA8): for insulating plates from 25 mm thickness with foil
- by means of self-adhesive tape attached together per 20 pieces
- materiale: PP (polypropylen), sort



0870028



0870141



0870158

Art.nr.	D (mm)	Model	Type	H (mm)	Pakke1	Pakke2
6930001	0,0	Tacker	KA	-	1	-
0870141	14 - 20	BIS Tacker Clamps (short)	KA8	41	200	4.000
0870158	14 - 20	BIS Tacker Clamps (long)	KAL	58	300	-