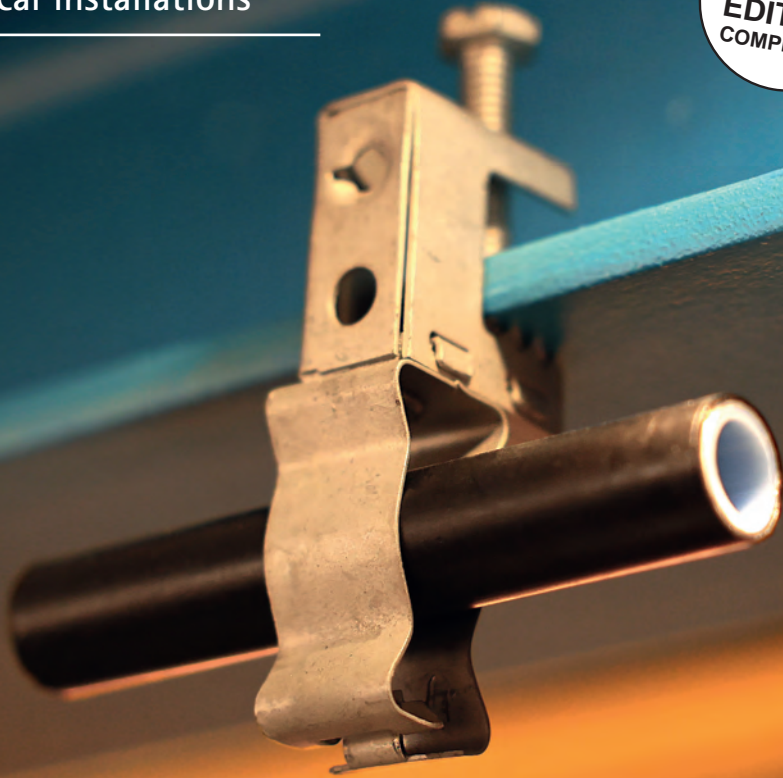


Fixings for
electrical installations

18th
EDITION
COMPLIANT



Britclips[®]

Catalogue 2024



Britclips® RSWB

Rapid Sliding Wall Bracket

See page 97



The perfect solution for fitting electrical boxes, conduit, cable and pipes within stud walls.

- Multi-purpose bracket
- Simple mounting
- High quality galvanised steel finish
- Combines with other Walraven fixings



- Two sizes now available



1. Supplied in connected pairs, simply snap the brackets apart.



2. The brackets can be extended to fit between studs that are 16 to 24 inches apart.



3. Bend the bracket ends to fix onto the studs.

Table of contents



	Introduction	1
J	Britclips® Electrical Fixings	7
K	BIS Fixing Accessories	99
L	BIS Fastenings	117
	Index	119

Walraven Group

Walraven manufactures a wide range of fixing, fire protection and sanitary installation materials.

Since our foundation in 1942 we've expanded into a global organisation with over 1250 employees throughout the world.

Our products are sold through leading distributors and used by thousands of installers across the world.

Head office

J. van Walraven Holding B.V.
Mijdrecht (NL)



Market served by:

- Walraven companies*
- Agents*

18 Sales companies

Mijdrecht (NL)

Walraven B.V.
The Netherlands

Mijdrecht (NL)

Walraven International
Other countries

Tienen (BE)

Walraven BVBA
Belgium - Luxembourg

Bayreuth (DE)

Walraven GmbH
Germany - Austria - Switzerland
Italy - South East Europe

Grenoble (FR)

Walraven France Eurl
France

Banbury (UK)

Walraven Ltd.
United Kingdom - Ireland

Mladá Boleslav (CZ)

Walraven s.r.o.
Czech republic - Slovak republic

Kraków (PL)

Walraven Sp. z o.o.
Poland - Lithuania - Latvia
Estonia

Kyiv (UA)

Walraven Ltd.
Ukraine

Barcelona (ES)

Walraven Iberia S.L.
Spain - Portugal

Detroit (US)

Walraven, Inc.
United States of America
Canada

Moscow (RU)

Walraven LLC
Russia

Shanghai (CN)

Walraven Shanghai, Ltd.
China

Malmö (SE)

Walraven Nordic AB
Sweden - Denmark - Norway -
Finland - Iceland

Dubai (AE)

Hira Walraven
Middle East

Budapest (HU)

Walraven Kft.
Hungary - Romania

Mumbai (IN)

Diamond Walraven
India

Singapore (SG)

Walraven Pte. Ltd.
Singapore - Indonesia - Malaysia
Thailand - Vietnam - Cambodia
Brunei - Laos Myanmar - Australia
New Zealand



11 Production companies

Mijdrecht (NL)

J. van Walraven B.V.

Cista (CZ)

Suchánek & Walraven s.r.o.

Horka (CZ)

Suchánek & Walraven s.r.o.

Barcelona (ES)

Walraven Iberia S.L.

Banbury (UK)

Walraven Ltd.

Istanbul (TR)

Jefleks Plastik Kauçuk

Gramsbergen (NL)

Loko Gramsbergen B.V.

Horka (CZ)

SWO Tooling s.r.o.

Changshu (CN)

Walraven Metal Products
(Changshu) Co. Ltd

Detroit (US)

Walraven, Inc.

Mumbai (IN)

Diamond Walraven

Introducing Walraven for smart installation solutions

Walraven has been in the M&E fixings business since 1942. Our products are known for their quality and are considered by our customers to be innovative and market leading. Our products are designed to work together to offer total system solutions to installers.

Britclips®

Beam Clips, Cable Run Clips
and Conduit Clips



Pipe Clamps

starQuick®, BIS Bifix®
and BIS Heavy Duty Clamps



Rail

BIS RapidRail®, BIS RapidStrut®
and Maxx Rail



Rooftop Supports

BIS Yeti® 480, BIS Yeti® 335
and BIS Ursus®



Fixing Accessories

Rail Accessories,
Light and Heavy Duty Anchors



Fire Protection

Pacifyre® MK II, Pacifyre® EFC
and Pacifyre® A and S



To find out more, visit walraven.com

Quality

Production

The Walraven Group has production facilities in various countries, with modern machines which are often designed in-house. Each production company has its own speciality so that products can be manufactured in the most efficient manner.

Almost all of our tooling and moulds are produced in our own tool making facility. Walraven then manages the entire process - from product development to manufacture - and can quickly respond to developments in the market.

Innovation

The development of new products is always our priority. With our primary focus being on customer satisfaction. Think of comfort, time-saving during assembly and the highest degree of reliability when operational. A large number of innovations and patents is the result. Our innovation is not just limited to product development. Also our marketing is pushing the boundaries.

We develop and produce customer-specific or project-related products too. In addition, many of our standard products can be supplied in a special size or with a special surface treatment.

Quality

Our organization is ISO 9001:2015 certificated. This way we continuously improve operational processes, and thus the quality of the entire organization.

Our products meet the highest quality standards and are approved by many international institutes, such as:



Our fire protection products meet the highest international quality standards and are approved by many European certification institutes.



Our frames have been tested for load capacity and corrosion resistance in accordance with European standards.



Explanation Max. Allowed Load

Maximum allowed load:

From most of our products a maximum allowed load is included in the article tables. Stated values are determined by:

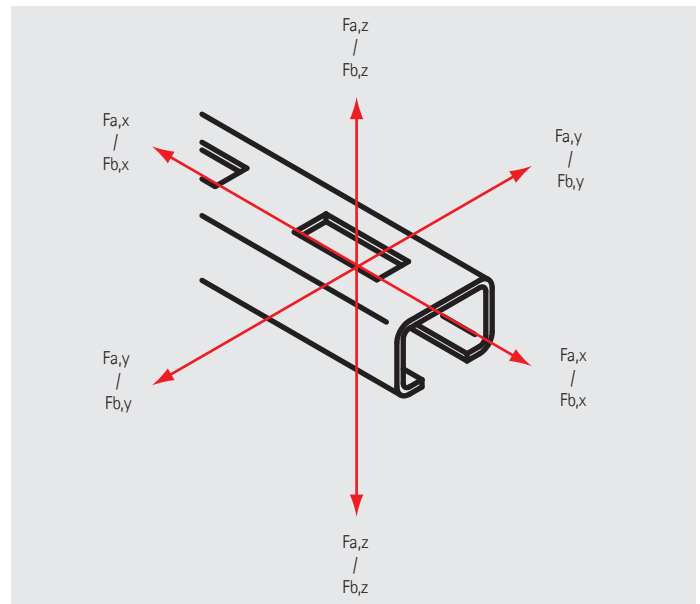
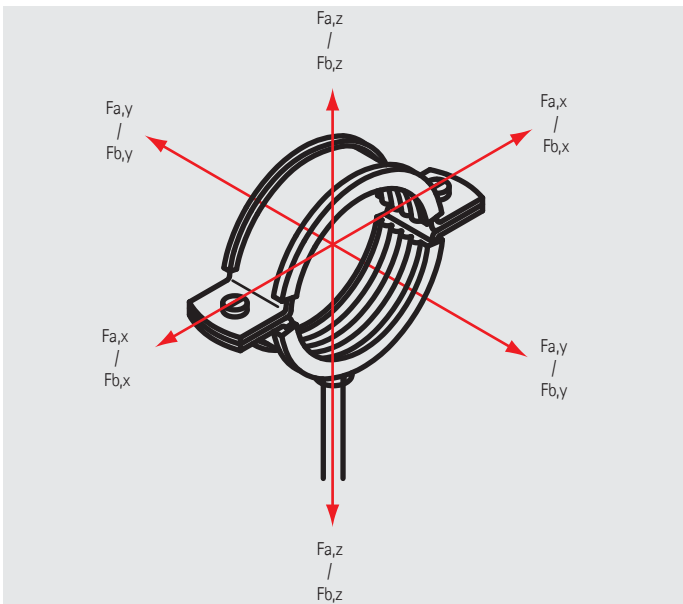
- a by Walraven developed measuring method
- the measuring method described in the testing prescriptions RAL-GZ 655, which is set up by the 'Gütegemeinschaft Rohrbefestigung'. If the product is provided with the 'RAL-Gütezeichen', the test results are checked by an independent testing institute.

For plastic clamps the breaking load is included.

Force directions (F) x, y and z (at 20 °C)

Fa = maximum allowed load

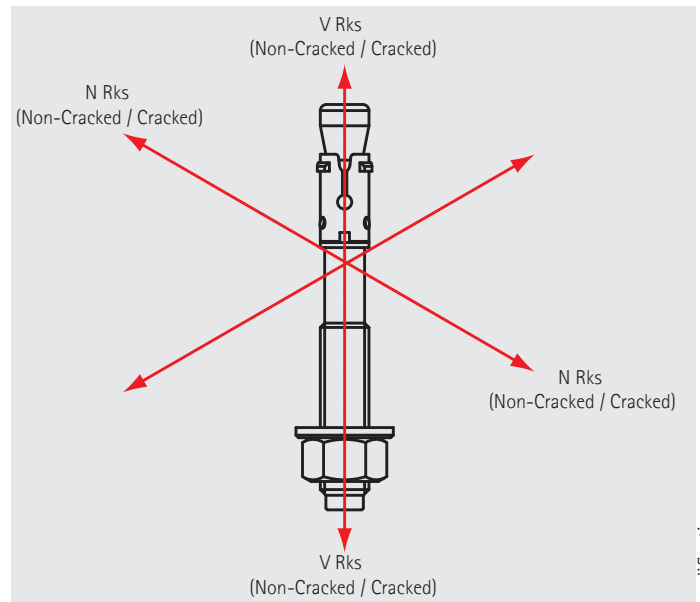
Fb = breaking load



Force directions Anchoring

V Rks = Characteristic resistance value in non cracked or cracked concrete (kN) shear load with standard embedment depth

N Rks = Characteristic resistance value in non cracked or cracked concrete (kN) tension load with standard embedment depth



J Britclips® Electrical Fixings



Britclips® – Beam Clips

Britclips® Beam Clip	9
Britclips® Beam Clip / Cable Tie	10
Britclips® Beam Clip / Reversed Cable Tie	11
Britclips® Beam Clip / Saddle Combination	12
Britclips® Beam Clip / Reversed Saddle Combination	14
Britclips® Beam Clip / Conduit Combination	16
Britclips® Reversed Beam Clip / Conduit Combination	17
Britclips® Beam Clip / Locking Unit Combination	18
Britclips® Beam Clip / Horizontal Stud M6 x 9	19
Britclips® Light Duty Rod Hanger M6	20
Britclips® Push Fastener	21
Britclips® Beam Clip / Threaded Rod Hanger	22
Britclips® Universal Beam Clip / Double Cable	23



Britclips® – Universal Beam Clips

Britclips® Universal Beam Clip	24
Britclips® Universal Beam Clip M6 x 8	25
Britclips® Universal Beam Clip / Conduit Combination	26
Britclips® Side Mounted Beam Clip / Conduit Combination	27
Britclips® Universal Beam Clip / Locking Conduit Combination	28
Britclips® Universal Pipe Clip	29



Britclips® – Screw-on Beam Clamps

Britclips® Master Clamp	30
Britclips® Master Clamp / Conduit Combination	31
Britclips® Master Clamp / Light Duty Cable Tray Bracket	32
Britclips® Master Clamp / Locking Conduit Clip Combination	33
Britclips® Master Clamp / Side Mounted Locking Conduit Clip	34
Britclips® Master Clamp / Threaded Rod Hanger	35
Britclips® Master Clamp / Adjustable Rod Hanger	***
Britclips® Master Clamp / Cable Tie	36



Britclips® – Push-on Clips

Britclips® Cable Run Clip Flange 2-7 mm	38
Britclips® Cable Run Clip Flange 8-12 mm	39
Britclips® Slide-on Cable Clip (SOCC1)	***
Britclips® Cable Run / Cable Tie Clip	40
Britclips® Slide-on Cable Clip (CG)	41



Britclips® – Threaded Rod Clips

Britclips® Support Clip	42
Britclips® Utility Clip	43
Britclips® Utility Conduit Clip	44
Britclips® Utility Locking Conduit Clip	45
Britclips® Utility Clip / Light Duty Cable Tray Bracket	46



Britclips® – Roof Deck Hangers

Britclips® Threaded Rod Deck Hanger	47
Britclips® Multiwedge Deck Hanger	48
Britclips® Alphawedge Deck Hanger	49



Britclips® – Acoustic Ceiling Clips

Britclips® T Bar / Twist On Clip (AC)	50
Britclips® T Bar / Twist On Clip (OAC)	51
Britclips® T Bar Clip	52
Britclips® Decor Sign Hanger	53
Britclips® Sign Hanger	54
Britclips® T Bar Straight Bracket	55
Britclips® T Bar Angle Bracket	56
Britclips® T Bar Angle Bracket Cable Tie	57

J Britclips® Electrical Fixings



Britclips® – Purlin Hangers

Britclips® Z Purlin Hanger	59
Britclips® Angled Profile Clip	60
Britclips® Z Purlin Threaded Rod Hanger	61
Britclips® Purlin Clamp	62
Britclips® Purlin Clip	63
Britclips® Purlin Clip / Threaded Rod Hanger	64
Britclips® Purlin Clip / Cable Tie	***
Britclips® Vertical Flange Clip	65
Britclips® Light Duty Flange Clip	***
Britclips® Vertical Flange Cable Saddle	66
Britclips® Vertical Flange Threaded Rod Hanger	67
Britclips® Z Purlin Clamp	68
Britclips® Vertical Flange Clip / Locking Conduit Combination	69
Britclips® Vertical Flange Adjustable Rod Hanger	70
Britclips® Angled Profile Clip / Rod Hanger	71



Britclips® – Composite Deck Hangers

Britclips® Suspension Clip / Single Clip	73
Britclips® Suspension Clip / Conduit Clip	***
Britclips® Dovetail Cable Hanger (HOL2)	74
Britclips® Dovetail Cable Hanger (HOL2-xC)	75
Britclips® Dovetail Cable Hanger (HOL1)	76
Britclips® Wedge Nut	72
Britclips® TR60 Deck Hanger	77



Britclips® – Miscellaneous

Britclips® Suspension Clip	78
Britclips® Bridle Ring	79
Britclips® Locking Conduit Clip	80
Britclips® Threaded Rod Hanger	81
Britclips® Right Angle Bracket	82
Britclips® Straight Shank Bracket	***
Britclips® Right Angle Threaded Rod Hanger	83
Britclips® Straight Shank Threaded Rod Hanger	84
Britclips® Right Angle Threaded Rod Hanger	85
Britclips® Metal Framing Conduit Clip	86
Britclips® Snap-in Conduit Clip	87
Britclips® Double Run Conduit Mount	88
Britclips® Double Run Locking Conduit Mount	89
Britclips® Pipe Clip	90
Britclips® Channel Clamp	91
Britclips® Cable / Conduit Clamp	92
Britclips® Cable Tie Saddle	***
Britclips® Ceiling Bracket	93
Britclips® Heavy Duty Threaded Clamp	94
Britclips® Light Duty Cable Tray Support Bracket	***
Britclips® Double Cable Clip	95
Britclips® RSWB	97



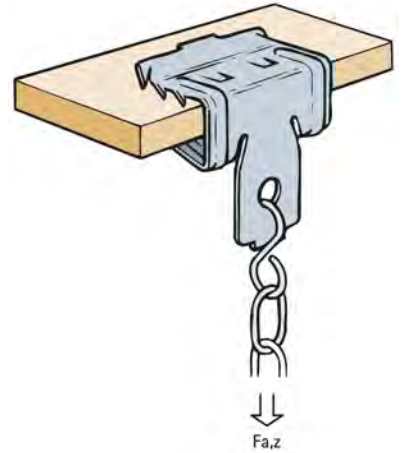
Britclips® – Heavy Duty Fixings

Britclips® Heavy Duty Bracket System	***
Britclips® Heavy Duty Bracket System HH1	***
Britclips® Heavy Duty Bracket System HH103	***

Britclips® Beam Clip

for flange 2 - 30 mm

(J 05 105)

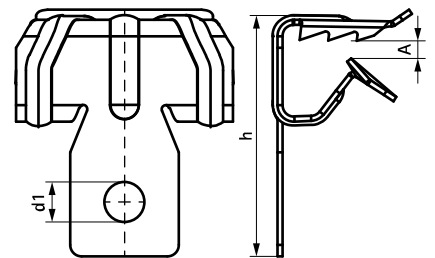


Features and benefits

- for a solid fixing to steel construction
- material: spring steel (type CS70)
- without the need for welding or drilling
- surface treatment: Delta-Tone 9000 (480 hours)
- with fixing hole (Ø 6.5 mm) to fix S-hook, bolt/nut, etc.

Part No.	Code	A (mm)	h (mm)	F _{a,z} (N)	Pack 1
EM50020004	BC125	2 - 4	27	450	100
EP50020004	BC125	2 - 4	27	450	25
EM50020009	BC250	4 - 8	39	950	100
EP50020009	BC250	4 - 8	39	950	25
EM50020016	BC500	8 - 14	41	950	100
EP50020016	BC500	8 - 14	41	950	25
EM50020020	BC750	14 - 20	47	950	100
EP50020020	BC750	14 - 20	47	950	25
EM50020030	BC1000	20 - 28	56	950	100

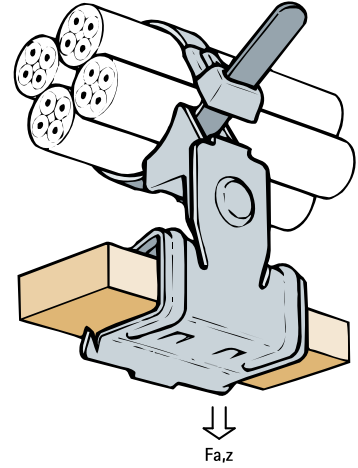
For use with static loads only.



Britclips® Beam Clip / Cable Tie

(J05 110)

for flange 2 - 30 mm

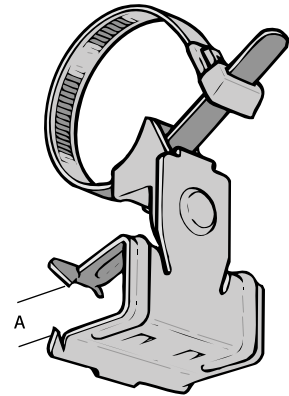


Features and benefits

- for a solid fixing to steel construction without the need for welding or drilling
- with saddle for cable tie attachment (up to width 7.6 mm)
- material: bracket made of spring steel (type CS70); tie-wrap clip of PA (polyamide), black
- surface treatment: Delta-Tone 9000 (480 hours)

Part No.	Code	Model	A (mm)	F _{a,z} (N)	Pack 1
EM50330204	BCCT12-10	With tie (L = 292 mm)	2 - 4	220	100
EM50330109	BCCT25-5.5	With tie (L = 160 mm)	4 - 8	220	100
EM50330209	BCCT25-10	With tie (L = 292 mm)	4 - 8	220	100
EM50330116	BCCT50-5.5	With tie (L = 160 mm)	8 - 14	220	50
EM50330216	BCCT50-10	With tie (L = 292 mm)	8 - 14	220	50

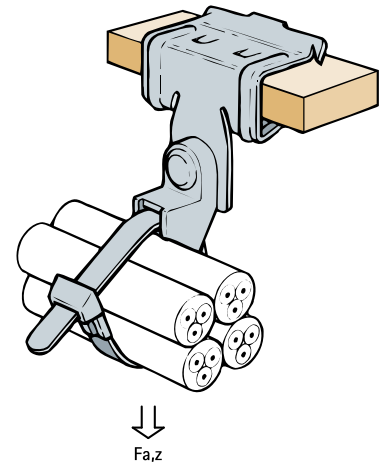
For use with static loads only.



Britclips® Beam Clip / Reversed Cable Tie

(J05 115)

for flange 2 - 30 mm

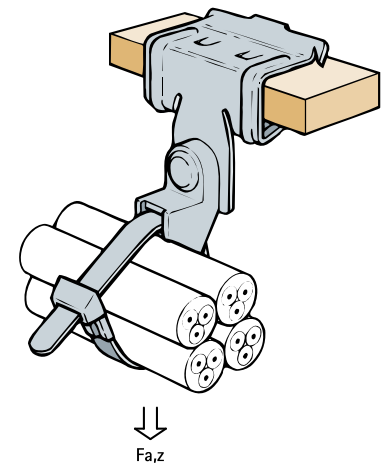


Features and benefits

- for a solid fixing to steel construction without the need for welding or drilling
- with saddle for cable tie attachment (up to width 7.6 mm)
- material: bracket made of spring steel (type CS70); tie-wrap clip of PA (polyamide), black
- surface treatment: Delta-Tone 9000 (480 hours)

Part No.	Code	Model	A (mm)	F _{a,z} (N)	Pack 1
EM50320204	BCCT12-10R	With tie (L = 292 mm)	2 - 4	220	100
EM50320109	BCCT25-5.5R	With tie (L = 160 mm)	4 - 8	220	100
EM50320209	BCCT25-10R	With tie (L = 292 mm)	4 - 8	220	100
EM50320116	BCCT50-5.5R	With tie (L = 160 mm)	8 - 14	220	50
EM50320216	BCCT50-10R	With tie (L = 292 mm)	8 - 14	220	50
EM50320120	BCCT75-5.5R	With tie (L = 160 mm)	14 - 20	220	50

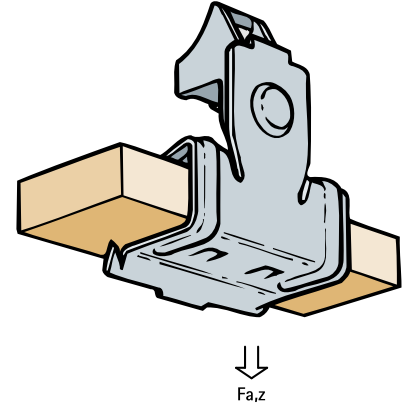
For use with static loads only.



Britclips® Beam Clip / Saddle Combination

(J05 120)

for flange 2 - 30 mm

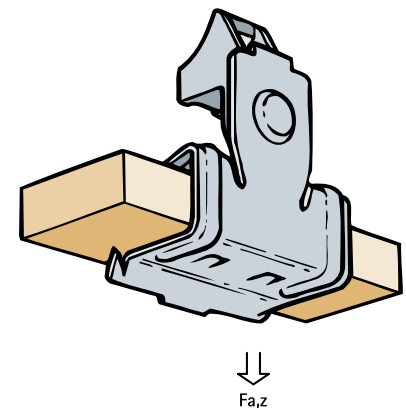


Features and benefits

- for a solid fixing to steel construction without the need for welding or drilling
- with saddle for cable tie attachment (up to width 7.6 mm)
- material: bracket made of spring steel (type CS70); tie-wrap clip of PA (polyamide), black
- surface treatment: Delta-Tone 9000 (480 hours)

Part No.	Code	A (mm)	F _{a,z} (N)	Pack 1
EM50330009	BCCT25	4 - 8	220	100
EM50330016	BCCT50	8 - 14	220	100
EM50330020	BCCT75	14 - 20	220	50
EM50330030	BCCT100	20 - 28	220	50

For use with static loads only.



Britclips® Beam Clip / Saddle Combination (Metal)

(J 05 122)

for flange



Features and benefits

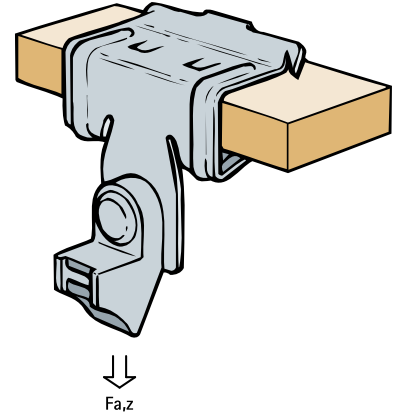
- for a solid fixing to steel construction without the need for welding or drilling
- with metal saddle for cable tie attachment
- material: clip made of spring steel (type CS70); saddle and cable tie made of stainless steel
- clip: surface treatment Delta-Tone 9000 (480 hours)

Part No.	Code	Model	A (mm)	F _{a,z} (N)	Pack 1
50331009	BCCT25M	No tie	4 - 8	220	100
50331016	BCCT50M	No tie	8 - 14	220	100
50331020	BCCT75M	No tie	14 - 20	220	50

Britclips® Beam Clip / Reversed Saddle Combination

(J05 125)

for flange 2 - 30 mm

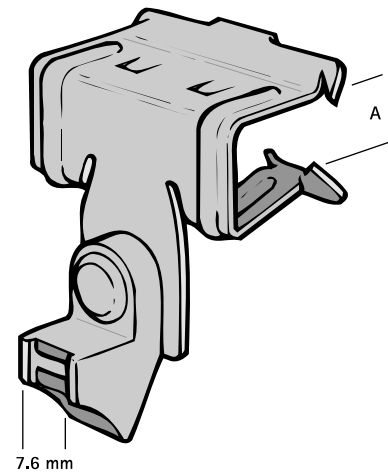


Features and benefits

- for a solid fixing to steel construction without the need for welding or drilling
- with saddle for cable tie attachment (up to width 7.6 mm)
- material: bracket made of spring steel (type CS70); tie-wrap clip of PA (polyamide), black
- surface treatment: Delta-Tone 9000 (480 hours)

Part No.	Code	A (mm)	F _{a,z} (N)	Pack 1
EM50320009	BCCT25R	4 - 8	220	100
EM50320016	BCCT50R	8 - 14	220	50
EM50320020	BCCT75R	14 - 20	220	50
EM50320030	BCCT100R	20 - 28	220	50

For use with static loads only.



Britclips® Beam Clip / Reversed Saddle Combination (Metal)

(J05 127)

for flange



Features and benefits

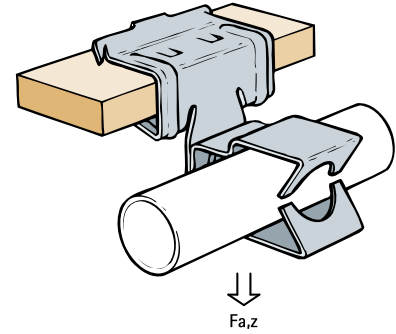
- for a solid fixing to steel construction without the need for welding or drilling
- with metal saddle for cable tie attachment
- material: clip made of spring steel (type CS70); saddle and cable tie made of stainless steel
- clip: surface treatment Delta-Tone 9000 (480 hours)

Part No.	Code	Model	A (mm)	F _{a,z} (N)	Pack 1
50321009	BCCT25RM	No tie	4 - 8	220	100
50321016	BCCT50RM	No tie	8 - 14	220	50
50321020	BCCT75RM	No tie	14 - 20	220	50

Britclips® Beam Clip / Conduit Combination

(J05 130)

for flange 2 - 30 mm

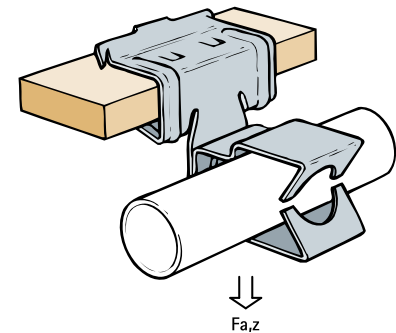


Features and benefits

- for a solid fixing to steel construction without the need for welding or drilling
- material: spring steel (type CS70)
- conduit clip swivels 360°
- surface treatment: Delta-Tone 9000 (480 hours)

Part No.	Code	D (mm)	A (mm)	F _{a,z} (N)	Pack 1
EM50162009	BCC25-50	20	4 - 8	110	100
EM50162016	BCC50-50	20	8 - 14	110	50
EM50162020	BCC75-50	20	14 - 20	110	50
EM50162030	BCC100-50	20	20 - 28	110	25
EM50162509	BCC25-75	25	4 - 8	110	50
EM50162516	BCC50-75	25	8 - 14	110	50
EM50162520	BCC75-75	25	14 - 20	110	50
EM50162530	BCC100-75	25	20 - 28	110	25

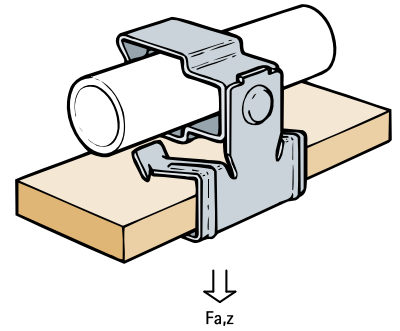
For use with static loads only.



Britclips® Reversed Beam Clip / Conduit Combination

(J05 135)

for flange 2 - 30 mm

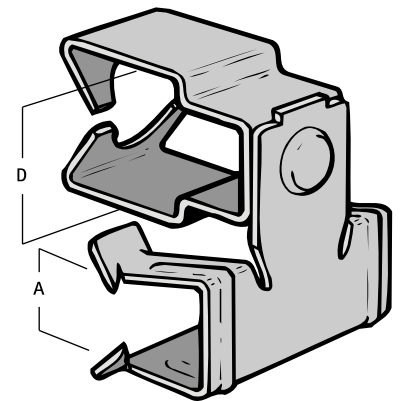


Features and benefits

- for a solid fixing to steel construction without the need for welding or drilling
- material: spring steel (type CS70)
- surface treatment: Delta-Tone 9000 (480 hours)

Part No.	Code	D (mm)	A (mm)	F _{a,z} (N)	Pack 1
EM50142009	BCC25-50R	20	4 - 8	110	50
EM50142016	BCC50-50R	20	8 - 14	110	50
EM50142020	BCC75-50R	20	14 - 20	110	50
EM50142030	BCC100-50R	20	20 - 28	110	50
EM50142509	BCC25-75R	25	4 - 8	110	100
EM50142516	BCC50-75R	25	8 - 14	110	50
EM50142520	BCC75-75R	25	14 - 20	110	50
EM50142530	BCC100-75R	25	20 - 28	110	50

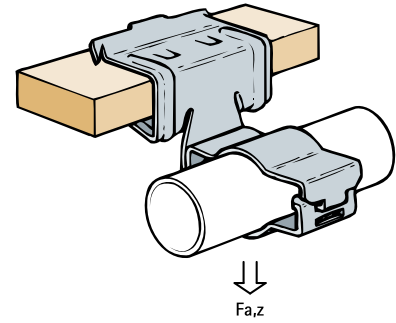
For use with static loads only.



Britclips® Beam Clip / Locking Unit Combination

(J05 140)

for flange 2 - 30 mm

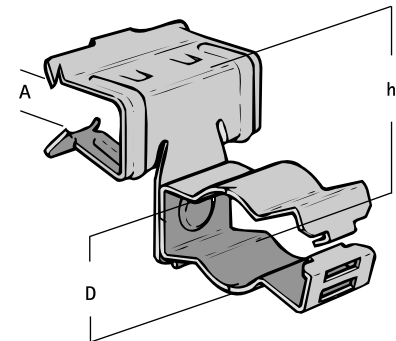


Features and benefits

- for a solid fixing to steel construction without the need for welding or drilling
- material: spring steel (type CS70)
- conduit clip swivels 360°
- surface treatment: Delta-Tone 9000 (480 hours)
- conduit clip with jaw locking (use pliers to lock)

Part No.	Code	D (mm)	A (mm)	h (mm)	F _{a,z} (N)	Pack 1
EM50122409	BLCC25-50	4 - 8	4 - 8	16	450	50
EM50122416	BLCC50-50	20 - 22	8 - 14	30	450	50
EM50122420	BLCC75-50	20 - 22	14 - 20	32	450	50
EM50122430	BLCC100-50	20 - 22	20 - 28	50	450	25
EM50122504	BLCC12-575	20 - 25	2 - 4	16	450	100
EM50122509	BLCC25-575	20 - 25	4 - 8	16	450	50
EM50122516	BLCC50-575	20 - 25	8 - 14	30	450	50
EM50122520	BLCC75-575	20 - 25	14 - 20	32	450	50
EM50122530	BLCC100-575	20 - 25	20 - 28	50	450	25
EM50122609	BLCC25-75	23 - 25	4 - 8	16	450	50
EM50122616	BLCC50-75	23 - 25	8 - 14	30	450	50
EM50122620	BLCC75-75	23 - 25	14 - 20	32	450	50
EM50122630	BLCC100-75	23 - 25	20 - 28	50	450	25
EM50123216	BLCC50-100	26 - 32	8 - 14	30	450	50
EM50123220	BLCC75-100	26 - 32	14 - 20	32	450	50

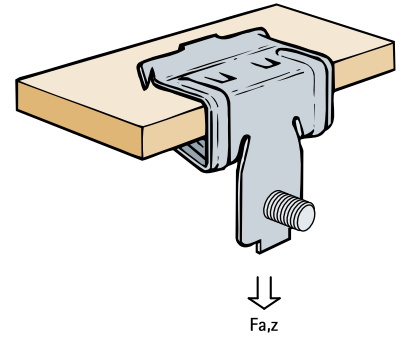
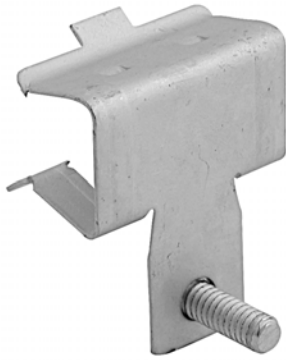
For use with static loads only.



Britclips® Beam Clip / Horizontal Stud M6 x 9

for flange 2 - 30 mm

(J 05 145)

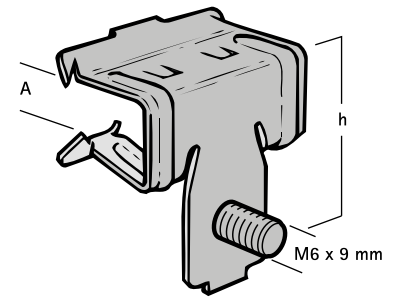


Features and benefits

- for a solid fixing to steel construction without the need for welding or drilling
- with stud bolt M6 x 9 mm for fixing of clamp, conduit junction box, etc.
- material: spring steel (type CS70)
- surface treatment: Delta-Tone 9000 (480 hours)

Part No.	Code	A (mm)	h (mm)	F _{a,z} (N)	Pack 1
EM50520604	BC125-M69SH	2 - 4	20	450	100
EM50520609	BC250-M69SH	4 - 8	21	450	100
EM50520616	BC500-M69SH	8 - 14	30	450	100
EM50520620	BC750-M69SH	14 - 20	32	450	100
EM50520630	BC1000-M69SH	23 - 30	50	450	50

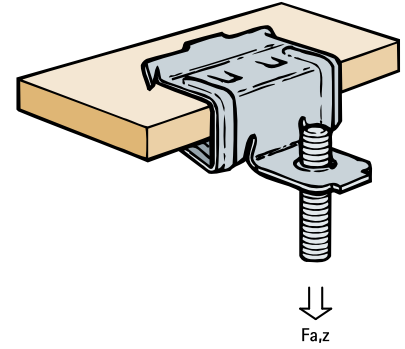
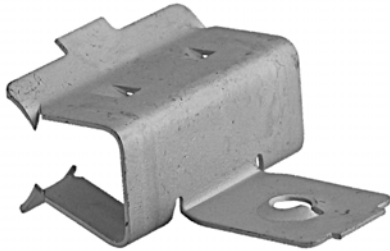
For use with static loads only.



Britclips® Light Duty Rod Hanger M6

for flange 5 - 16 mm

(J05 155)

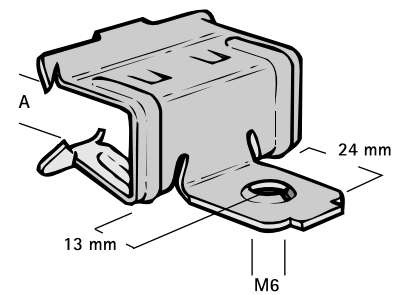


Features and benefits

- for a solid fixing to steel construction without the need for welding or drilling
- suitable for M6 threaded rod
- material: spring steel (type CS70)
- surface treatment: Delta-Tone 9000 (480 hours)

Part No.	Code	A (mm)	F _{a,z} (N)	Pack 1
EM50425609	BC250-M6	4 - 8	150	100
EM50425616	BC500-M6	8 - 14	150	100

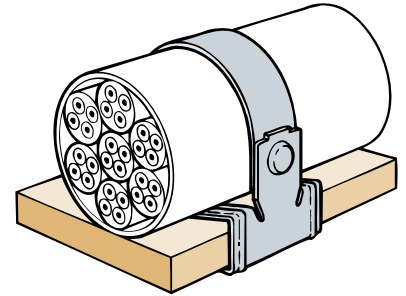
For use with static loads only.



Britclips® Push Fastener

for flange 2 - 20 mm

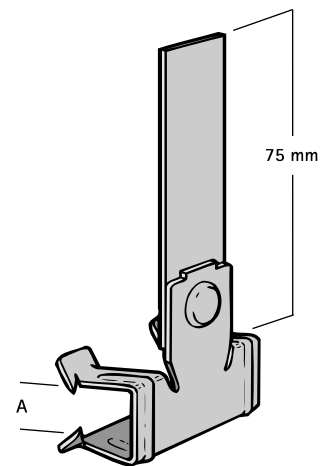
(J 05 160)



Features and benefits

- for a solid fixing to flanges without welding or drilling
- with flexible strip to support cables
- material: spring steel (type CS70)
- surface treatment: Delta-Tone 9000 (480 hours)

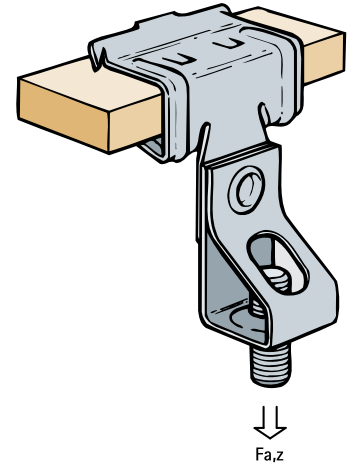
Part No.	Code	A (mm)	Pack 1
EM50327504	PF125	2 - 4	100
<i>For use with static loads only.</i>			



Britclips® Beam Clip / Threaded Rod Hanger

(J05 165)

for flange 2 - 30 mm

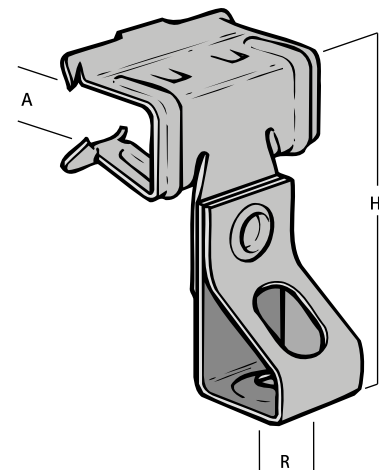


Features and benefits

- for a solid fixing to steel construction without the need for welding or drilling
- with threaded rod holder (rod height adjustable by screwing)
- material: spring steel (type CS70)
- surface treatment: Delta-Tone 9000 (480 hours)

Part No.	Code	A (mm)	R	H (mm)	F _{a,z} (N)	Pack 1
EM50420804	RH8MT-12	2 - 4	M8	44	680	100
EM50421004	RH10MT-12	2 - 4	M10	44	680	100
EM50420609	RH6MT-25	4 - 8	M6	51	680	100
EM50420809	RH8MT-25	4 - 8	M8	51	680	100
EM50421009	RH10MT-25	4 - 8	M10	51	680	100
EM50420616	RH6MT-50	8 - 14	M6	56	680	100
EM50420816	RH8MT-50	8 - 14	M8	56	680	100
EM50421016	RH10MT-50	8 - 14	M10	56	680	100
EM50420820	RH8MT-75	14 - 20	M8	63	680	100

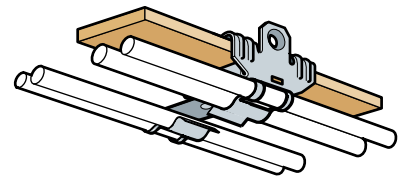
For use with static loads only.



Britclips® Universal Beam Clip / Double Cable

for flange 3 - 20 mm

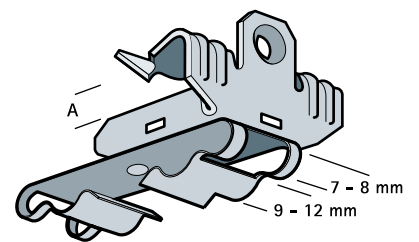
(J 05 190)



Features and benefits

- for a solid fixing to steel construction without the need for welding or drilling
- material: spring steel (type CS70)
- surface treatment: Delta-Tone 9000 (480 hours)

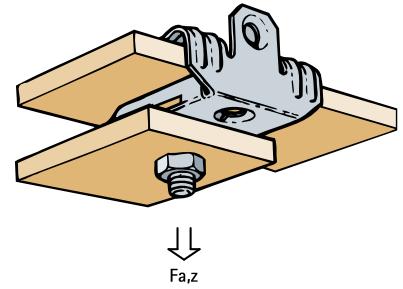
Part No.	Code	D (mm)	A (mm)	Pack 1
EM51199013	H5-8-DCC	7 - 12	8.0 - 12.5	50
<i>For use with static loads only.</i>				



Britclips® Universal Beam Clip

for flange 3 - 20 mm

(J 10 105)

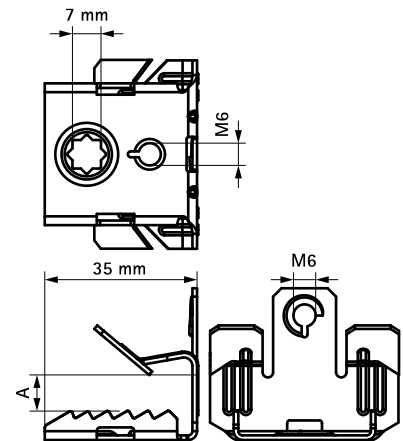


Features and benefits

- for a solid fixing under flanges without welding or drilling
- suitable for horizontal and vertical flanges
- with female thread M6
- material: spring steel (type CS70)
- surface treatment: Delta-Tone 9000 (480 hours)

Part No.	Code	A (mm)	F _{a,z} (N)	Pack 1
EM51420607	H2-4	3.0 - 7.0	450	100
EM51420613	H5-8	8.0 - 12.5	450	100
EM51420620	H9-12	14.0 - 20.0	450	50

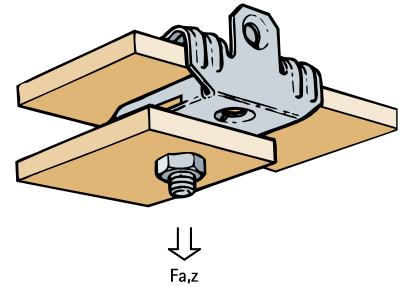
For use with static loads only.



Britclips® Universal Beam Clip M6 x 8

for flange 3 - 20 mm

(J 10 110)

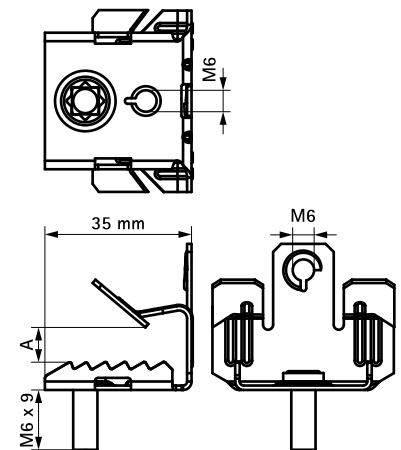


Features and benefits

- for a solid fixing under flanges without welding or drilling
- suitable for horizontal and vertical flanges
- with stud bolt M6 x 8 mm for fixing of clamp, conduit junction box, etc.
- material: spring steel (type CS70)
- surface treatment: Delta-Tone 9000 (480 hours)

Part No.	Code	A (mm)	F _{a,z} (N)	Pack 1
EM51520607	H2-4S	3.0 - 7.0	450	100
EM51520613	H5-8S	8.0 - 12.5	450	100
EM51520620	H9-12S	14.0 - 20.0	450	50

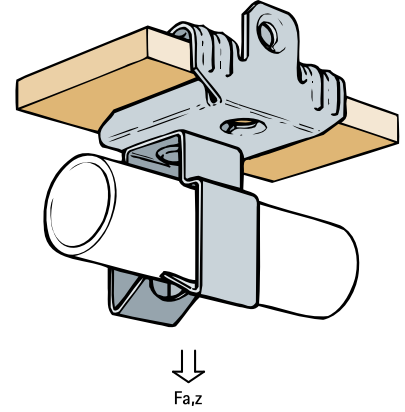
For use with static loads only.



Britclips® Universal Beam Clip / Conduit Combination

(J 10 115)

for flange 3 - 20 mm

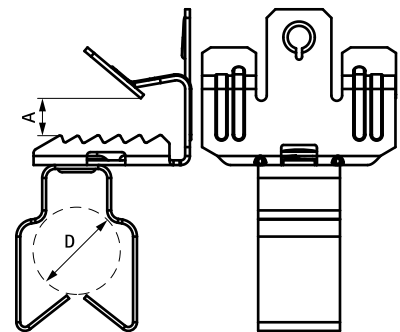


Features and benefits

- for a solid fixing to steel construction without the need for welding or drilling
- material: spring steel (type CS70)
- conduit clip swivels 360°
- surface treatment: Delta-Tone 9000 (480 hours)

Part No.	Code	D (mm)	A (mm)	F _{a,z} (N)	Pack 1
EM51132007	50H2-4	20	3.0 - 7.0	110	100
EM51132013	50H5-8	20	8.0 - 12.5	110	50
EM51132020	50H9-12	20	14.0 - 20.0	110	50
EM51132507	75H2-4	25	3.0 - 7.0	110	100
EM51132513	75H5-8	25	8.0 - 12.5	110	50
EM51132520	75H9-12	25	14.0 - 20.0	110	50

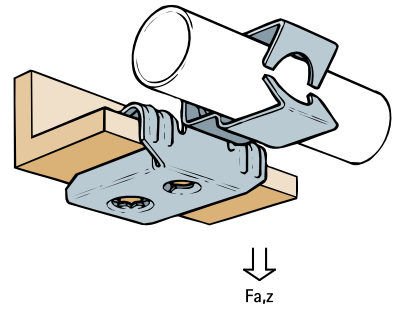
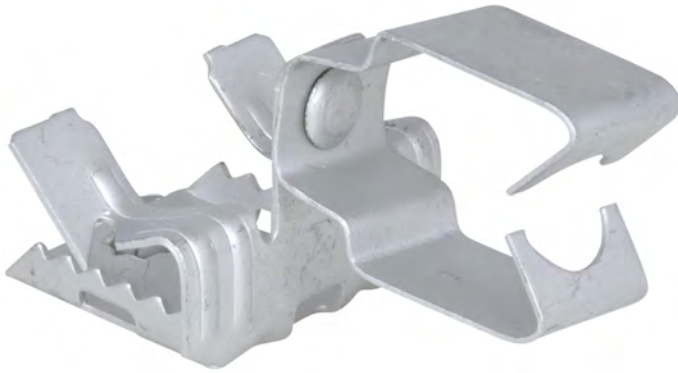
For use with static loads only.



Britclips® Side Mounted Beam Clip / Conduit Combination

(J 10 120)

for flange 3 - 20 mm

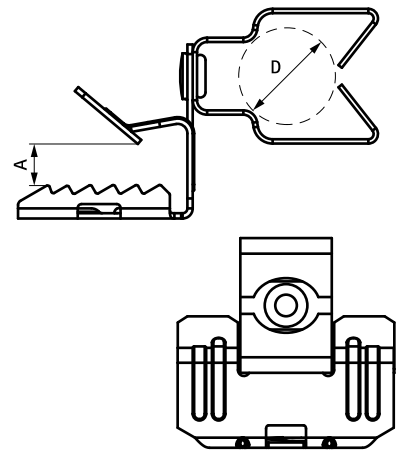


Features and benefits

- for a solid fixing to steel construction without the need for welding or drilling
- material: spring steel (type CS70)
- conduit clip swivels 360°
- surface treatment: Delta-Tone 9000 (480 hours)

Part No.	Code	D (mm)	A (mm)	F _{a,z} (N)	Pack 1
EM51142513	75H5-8SM	25	8.0 - 12.5	110	50
EM51142520	75H9-12SM	25	14.0 - 20.0	110	50

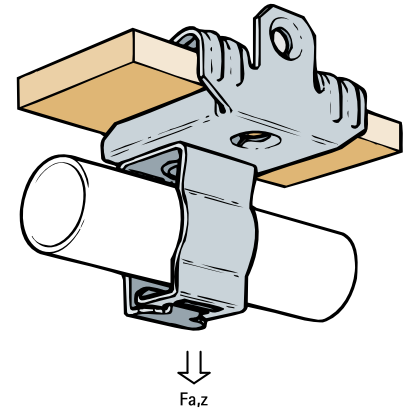
For use with static loads only.



Britclips® Universal Beam Clip / Locking Conduit Combination

(J 10 125)

for flange 3 - 20 mm

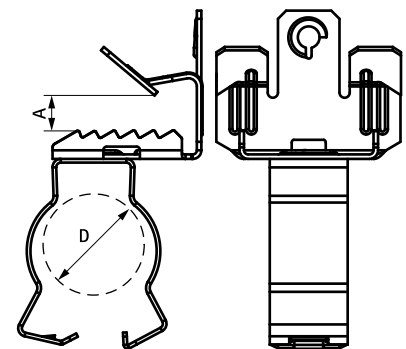


Features and benefits

- for a solid fixing under flanges without welding or drilling
- conduit clip swivels 360°
- conduit clip with jaw locking (use pliers to lock)
- material: spring steel (type CS70)
- surface treatment: Delta-Tone 9000 (480 hours)

Part No.	Code	D (mm)	A (mm)	F _{a,z} (N)	Pack 1
EM51122413	HN50L	20 - 22	8.0 - 12.5	450	50
EM51122420	HO50L	20 - 22	14.0 - 20.0	450	50
EM51122507	HM575L	20 - 25	3.0 - 7.0	450	50
EM51122513	HN575L	20 - 25	8.0 - 12.5	450	50
EM51122520	HO575L	20 - 25	14.0 - 20.0	450	50
EM51122613	HN75L	23 - 25	8.0 - 12.5	450	50
EM51122620	HO75L	23 - 25	14.0 - 20.0	450	50
EM51123207	HM100L	26 - 32	3.0 - 7.0	450	50

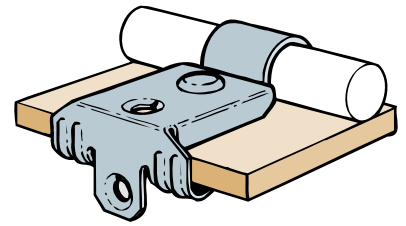
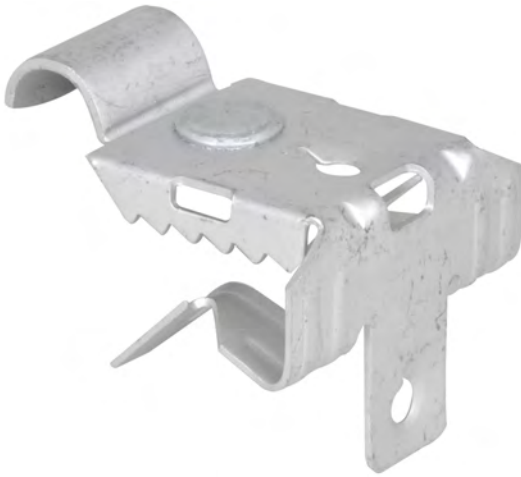
For use with static loads only.



Britclips® Universal Pipe Clip

for flange 3 - 20 mm

(J 10 130)

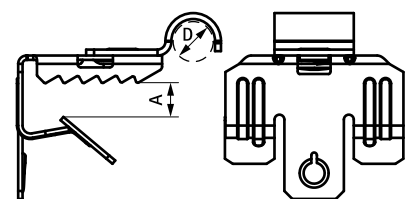


Features and benefits

- for a solid fixing to steel construction without the need for welding or drilling
- Part No. EM 51171213: suits up to 12 mm diameter cable
- Part No. EM 51171213: is for use with rail types: BS110, BS113, UIC54 and UIC 60
- surface treatment: Britclips® Universal Beam Clips: Delta-Tone 9000 (480 hours); Britclips® Pipe Clips: zinc plated
- material: Britclips® Universal Beam Clips made of spring steel (type CS70); Britclips® Pipe Clips made of steel

Part No.	Code	D (mm)	A (mm)	Pack 1
EM51171213	HP5-12	12	8.0 - 12.5	100

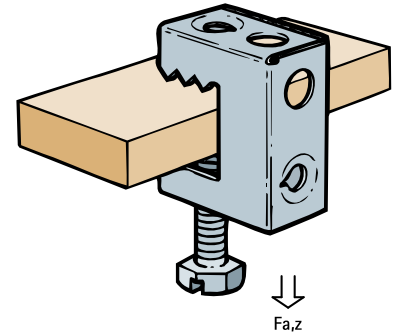
For use with static loads only.



Britclips® Master Clamp

for flange 2 - 17 mm

(J 15 105)

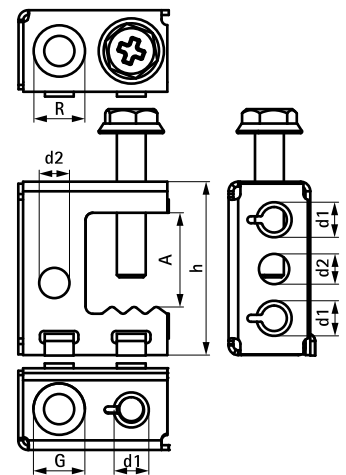


Features and benefits

- for a solid fixing to steel construction without the need for welding or drilling
- various fixing possibilities to clamp (horizontal and vertical)
- with thread connector M6
- material: spring steel (type CS70)
- surface treatment: Delta-Tone 9000 (480 hours)

Part No.	Code	G	F _{a,z} (N)	Pack 1
EM53420717	MC	Ø 6.5 mm	550	100
EP53420717	MC	Ø 6.5 mm	550	25
EM53421117	MC10	Ø 11.0 mm	550	100

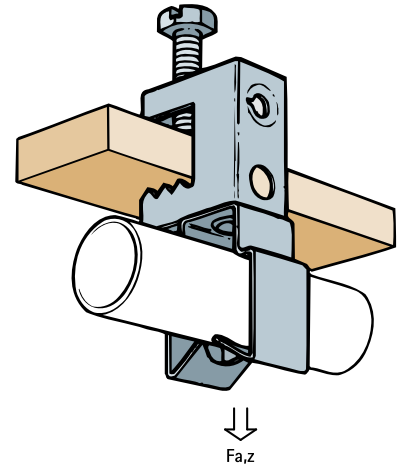
For use with static loads only.



Britclips® Master Clamp / Conduit Combination

(J 15 110)

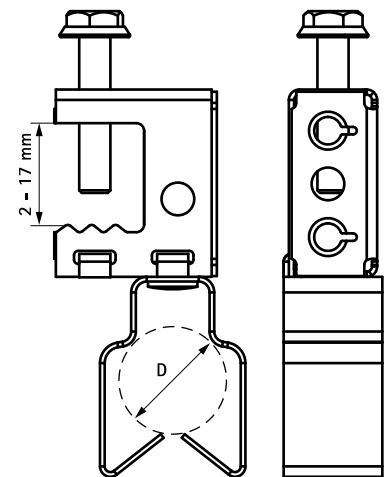
for flange 2 - 17 mm



Features and benefits

- for a solid fixing to steel construction without the need for welding or drilling
- various fixing possibilities to clamp (horizontal and vertical)
- conduit clip swivels 360°
- material: spring steel (type CS70)
- surface treatment: Delta-Tone 9000 (480 hours)

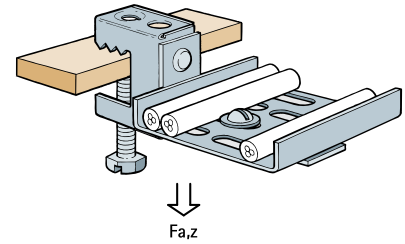
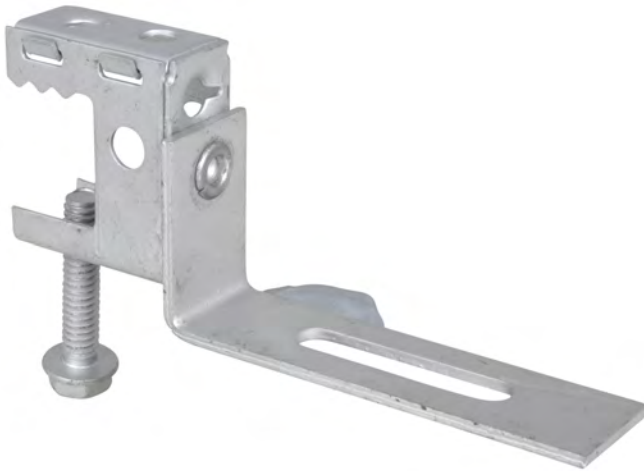
Part No.	Code	D (mm)	F _{a,z} (N)	Pack 1
EM53142518	CH750	25	110	50
<i>For use with static loads only.</i>				



Britclips® Master Clamp / Light Duty Cable Tray Bracket

(J 15 125)

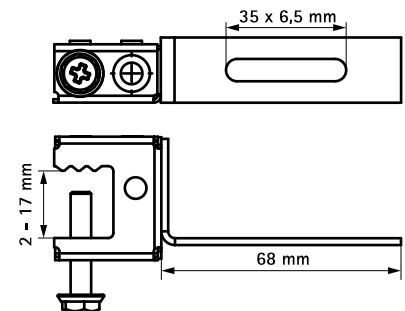
for flange 2 - 17 mm



Features and benefits

- for a solid fixing to steel construction without the need for welding or drilling
- for light duty cable trays
- material: Britclips® Master Clamps made of spring steel (type CS70); Britclips® Light Duty Cable Tray Bracket made of steel
- surface treatment: Delta-Tone 9000 (480 hours)

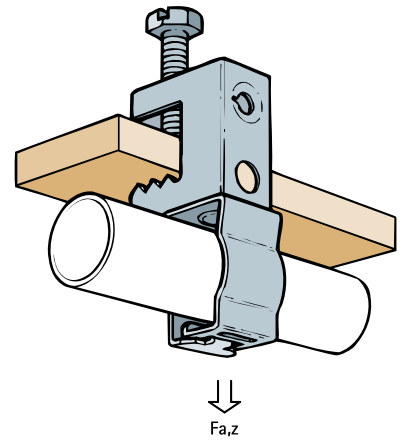
Part No.	Code	F _{a,z} (N)	Pack 1
EM53920017	MC-CTB	150	100
<i>For use with static loads only.</i>			



Britclips® Master Clamp / Locking Conduit Clip Combination

(J 15 130)

for flange 2 - 17 mm

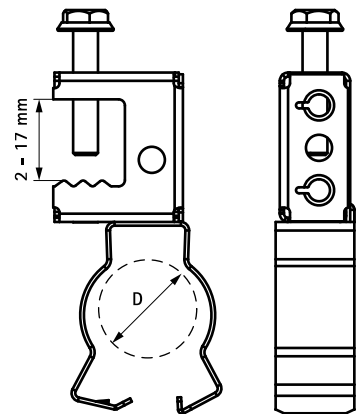


Features and benefits

- for a solid fixing to steel construction without the need for welding or drilling
- suitable for pipe or cable fixing
- conduit clip swivels 360°
- conduit clip with jaw locking (use pliers to lock)
- material: spring steel (type CS70)
- surface treatment: Delta-Tone 9000 (480 hours)

Part No.	Code	D (mm)	F _{a,z} (N)	Pack 1
EM53122418	CHL500	20 - 22	450	50
EM53122518	CHL575	20 - 25	450	50
EM53122618	CHL750	23 - 25	450	50

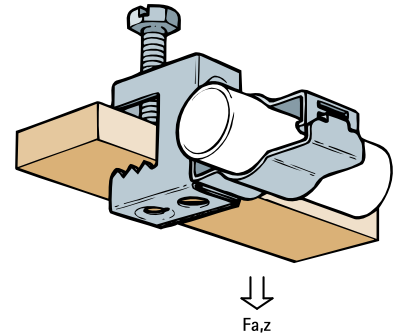
For use with static loads only.



Britclips® Master Clamp / Side Mounted Locking Conduit Clip

(J 15 135)

for flange 2 - 17 mm

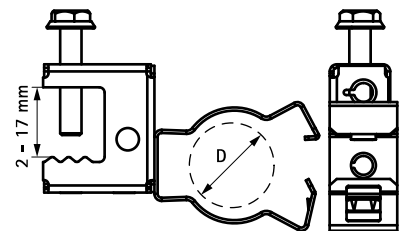


Features and benefits

- for a solid fixing to steel construction without the need for welding or drilling
- suitable for pipe or cable fixing
- conduit clip swivels 360°
- conduit clip with jaw locking (use pliers to lock)
- material: spring steel (type CS70)
- surface treatment: Delta-Tone 9000 (480 hours)

Part No.	Code	D (mm)	F _{a,z} (N)	Pack 1
EM53122417	CHL500V	20 - 22	450	50
EM53122517	CHL575V	20 - 25	450	50

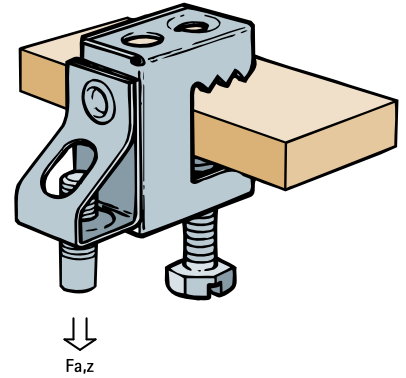
For use with static loads only.



Britclips® Master Clamp / Threaded Rod Hanger

(J 15 140)

for flange 2 - 17 mm

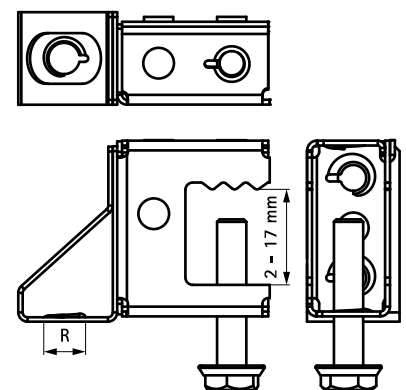


Features and benefits

- for a solid fixing to steel construction without the need for welding or drilling
- with threaded rod holder (rod height adjustable by screwing)
- material: spring steel (type CS70)
- surface treatment: Delta-Tone 9000 (480 hours)

Part No.	Code	R	F _{a,z} (N)	Pack 1
EM53420617	MRH6MT	M6	300	50
EM53420817	MRH8MT	M8	300	100
EM53421017	MRH10MT	M10	300	100

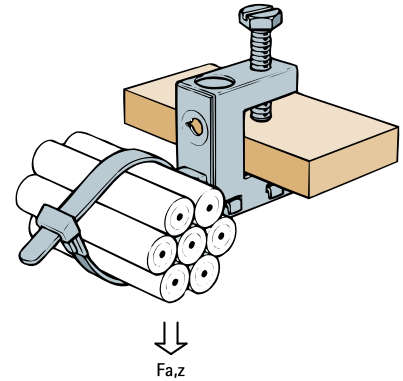
For use with static loads only.



Britclips® Master Clamp / Cable Tie

for flange 2 - 17 mm

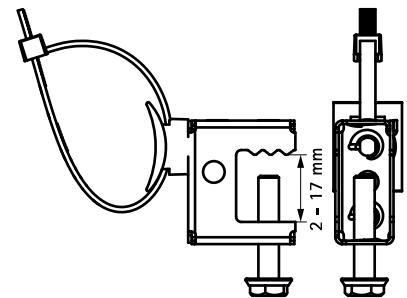
(J 15 160)



Features and benefits

- for a solid fixing to steel construction without the need for welding or drilling
- various fixing possibilities to clamp (horizontal and vertical)
- with saddle for cable tie attachment (up to width 7.6 mm)
- material: bracket made of spring steel (type CS70); tie-wrap clip of PA (polyamide), black
- surface treatment: Delta-Tone 9000 (480 hours)

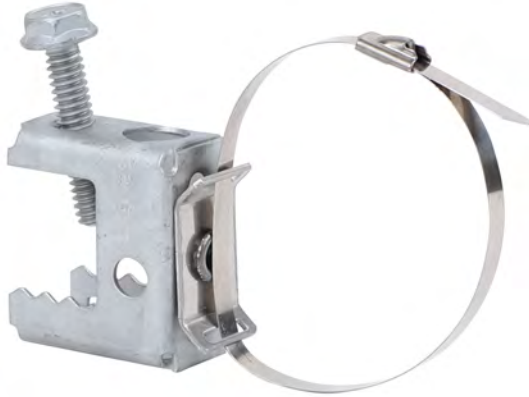
Part No.	Code	Model	F _{a,z} (N)	Pack 1
EM53320017	MCCT	No tie	220	100
<i>For use with static loads only.</i>				



Britclips® Master Clamp / Cable Tie (Metal)

(J 15 165)

for flange



Features and benefits

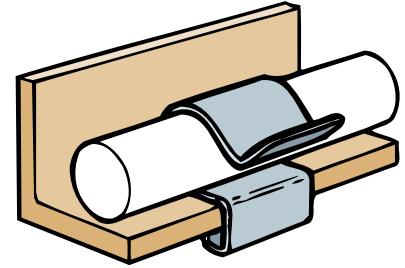
- for a solid fixing to steel construction without the need for welding or drilling
- various fixing possibilities to clamp (horizontal and vertical)
- with metal saddle for cable tie attachment
- material: clip made of spring steel (type CS70); saddle made of stainless steel
- clip: surface treatment Delta-Tone 9000 (480 hours)

Part No.	Code	Model	A (mm)	F _{a,z} (N)	Pack 1
53321017	MCCTM	No tie	2 - 18	220	100

Britclips® Cable Run Clip Flange 2-7 mm

for flange 2 - 7 mm

(J 20 105)

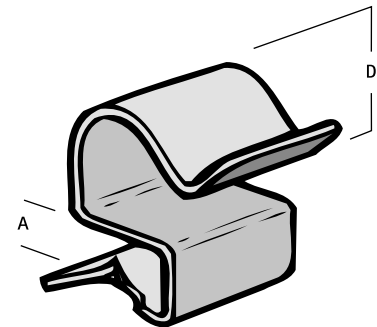


Features and benefits

- for quick fixing of cables
- material: spring steel (type CS70)
- surface treatment: Delta-Tone 9000 (480 hours)

Part No.	Code	D (mm)	A (mm)	Pack 1
EM52020604	CR25	4.5 - 5.5	2 - 4	100
EM52020704	CR26	6.0 - 7.0	2 - 4	100
EP52020704	CR26	6.0 - 7.0	2 - 4	25
EM52020904	CR27	7.0 - 9.0	2 - 4	100
EP52020904	CR27	7.0 - 9.0	2 - 4	25
EM52021104	CR210	10.0 - 11.0	2 - 4	100
EP52021104	CR210	10.0 - 11.0	2 - 4	25
EM52021404	CR212	12.0 - 14.0	2 - 4	100
EP52021404	CR212	12.0 - 14.0	2 - 4	25
EM52021804	CR215	15.0 - 18.0	2 - 4	100
EP52021804	CR215	15.0 - 18.0	2 - 4	25
EM52022404	CR219	19.0 - 24.0	2 - 4	100
EP52022404	CR219	19.0 - 24.0	2 - 4	25
EM52023004	CR225	25.0 - 30.0	2 - 4	100
EP52023004	CR225	25.0 - 30.0	2 - 4	25
EM52020607	CR45	4.5 - 5.5	4 - 7	100
EP52020707	CR46	6.0 - 7.0	4 - 7	25
EM52020907	CR47	7.0 - 9.0	4 - 7	100
EP52020907	CR47	7.0 - 9.0	4 - 7	25
EM52021107	CR410	10.0 - 11.0	4 - 7	100
EP52021107	CR410	10.0 - 11.0	4 - 7	25
EM52021407	CR412	12.0 - 14.0	4 - 7	100
EP52021407	CR412	12.0 - 14.0	4 - 7	25
EM52021807	CR415	15.0 - 18.0	4 - 7	100
EP52021807	CR415	15.0 - 18.0	4 - 7	25
EM52022407	CR419	19.0 - 24.0	4 - 7	100
EP52022407	CR419	19.0 - 24.0	4 - 7	25
EM52023007	CR425	25.0 - 30.0	4 - 7	100
EP52023007	CR425	25.0 - 30.0	4 - 7	25

For use with static loads only.



Britclips® Cable Run Clip Flange 8-12 mm

(J 20 110)

for flange 8 - 20 mm



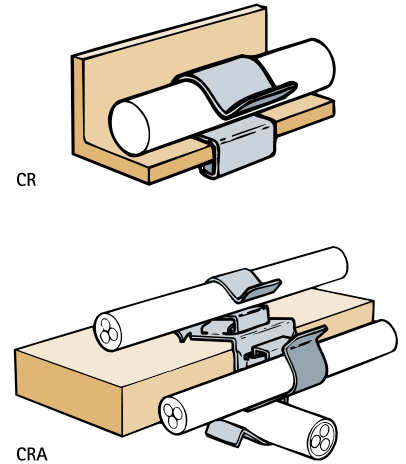
EX 5202 X XXX



EX 5202 0 020

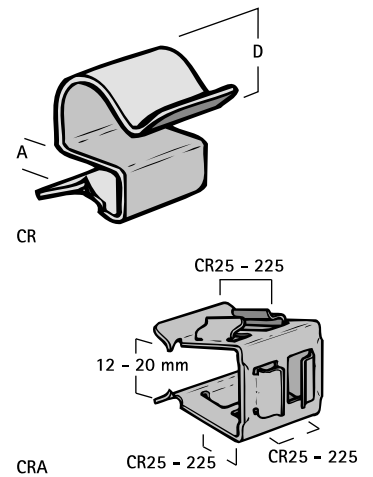
Features and benefits

- for quick fixing of cables
- Part No's EM/EP 5202 0 020: adaptor for fastening of maximum 3 cable run clips (type CR)
- Part No's EM/EP 52020020: adaptor for fastening of maximum 3 cable run clips (type CR)
- material: spring steel (type CS70)
- surface treatment: Delta-Tone 9000 (480 hours)



Part No.	Code	D (mm)	Model	A (mm)	Pack 1
EP52020712	CR86	6.0 - 7.0	-	8 - 12	25
EM52020912	CR87	7.0 - 9.0	-	8 - 12	100
EP52020912	CR87	7.0 - 9.0	-	8 - 12	25
EM52021112	CR810	10.0 - 11.0	-	8 - 12	100
EP52021112	CR810	10.0 - 11.0	-	8 - 12	25
EM52021412	CR812	12.0 - 14.0	-	8 - 12	100
EP52021412	CR812	12.0 - 14.0	-	8 - 12	25
EM52021812	CR815	15.0 - 18.0	-	8 - 12	100
EP52021812	CR815	15.0 - 18.0	-	8 - 12	25
EM52022412	CR819	19.0 - 24.0	-	8 - 12	100
EP52022412	CR819	19.0 - 24.0	-	8 - 12	25
EM52023012	CR825	25.0 - 30.0	-	8 - 12	100
EP52023012	CR825	25.0 - 30.0	-	8 - 12	25
EM52020020	CRA	0.0	Fits CR25 - CR225	12 - 20	100
EP52020020	CRA	0.0	Fits CR25 - CR225	12 - 20	25

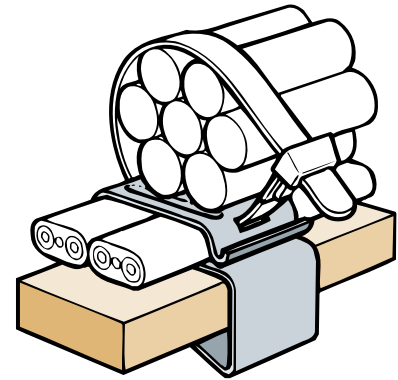
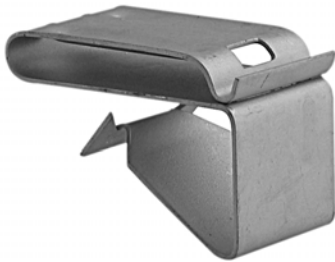
For use with static loads only.



Britclips® Cable Run / Cable Tie Clip

(J 20 120)

for flange 3 - 25 mm

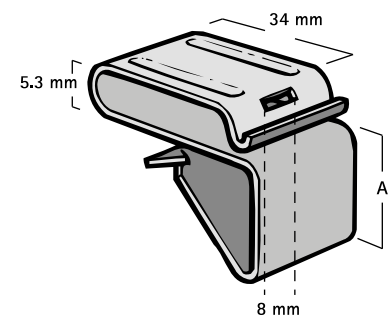


Features and benefits

- for a solid fixing to steel construction without the need for welding or drilling
- suitable for horizontal and vertical flanges
- for quick fixing of round or flat cables parallel to flange
- material: spring steel (type CS70)
- surface treatment: Delta-Tone 9000 (480 hours)

Part No.	Code	A (mm)	Pack 1
EM52323412	CRCT2-12	3 - 12	100
EP52323412	CRCT2-12	3 - 12	25
EM52323425	CRCT12-20	12 - 25	100
EP52323425	CRCT12-20	12 - 25	25

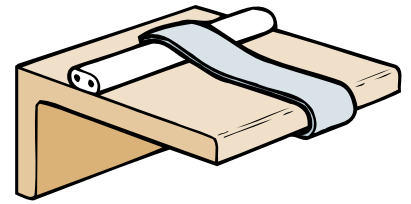
For use with static loads only.



Britclips® Slide-on Cable Clip (CG)

for flange 3 - 11 mm

(J 20 130)

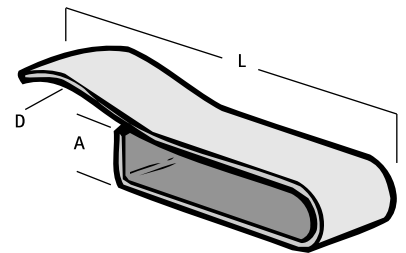


Features and benefits

- for a solid fixing to steel construction without the need for welding or drilling
- for quick fixing of cables
- material: spring steel (type CS70)
- surface treatment: Delta-Tone 9000 (480 hours)

Part No.	Code	D (mm)	A (mm)	L	Pack 1
EM52021609	CG16	3 - 16	3 - 5 / 5 - 7	48 mm	100
EM52022009	CG20	7 - 20	8 - 9 / 10 - 11	41 mm	100

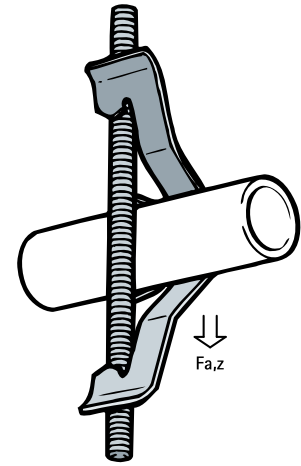
*When flange thickness increases, value of the thickness of the cable decreases.
For use with static loads only.*



Britclips® Support Clip

for threaded rods or flanges 16 - 32 mm

(J 25 105)



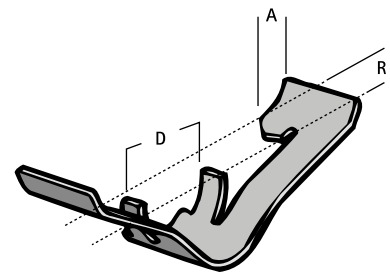
Features and benefits

- for quick fixing to threaded rods or flanges without welding or drilling
- material: spring steel (type CS70)
- surface treatment: Delta-Tone 9000 (480 hours)

Part No.	Code	D (mm)	A (mm)	R	F _{a,z} (N)	Pack 1
EM55922510	SC1000	16 - 20	6 - 9	M6 - M8 / M10	450	100
EP55922510	SC1000	16 - 20	6 - 9	M6 - M8 / M10	450	25
EM55923210	SC1250	25 - 32	6 - 9	M6 - M8 / M10	450	50

For use with static loads only.

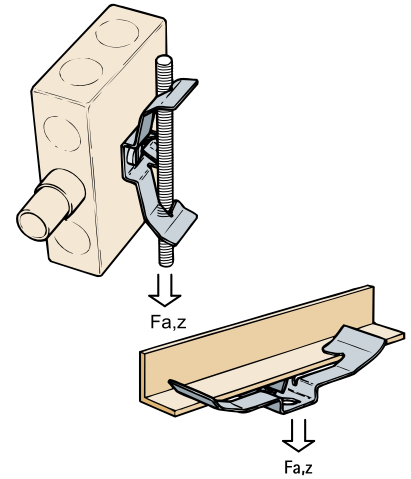
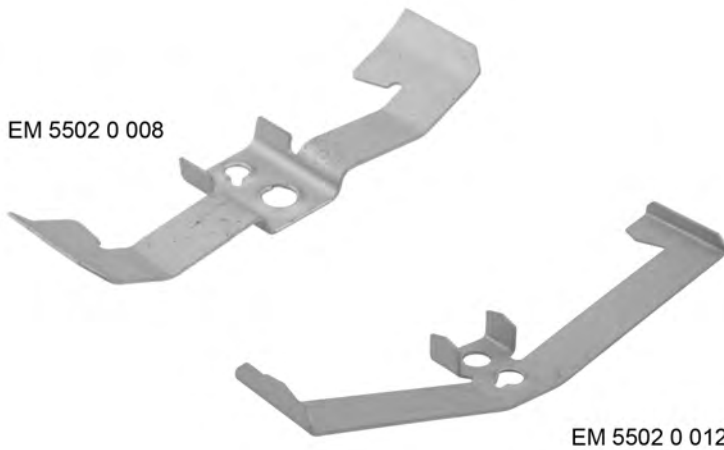
Load shown is for beam application, for rod application F_{a,z} = 220 N.



Britclips® Utility Clip

for threaded rods or flanges

(J 25 115)

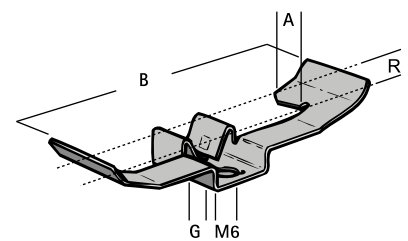


Features and benefits

- for quick fixing to threaded rods or flanges without welding or drilling
- with female thread or hole for universal use
- material: spring steel (type CS70)
- surface treatment: Delta-Tone 9000 (480 hours)

Part No.	Code	A (mm)	R	G	B (mm)	F _{a,z} (N)	Pack 1
EM55020008	UC250	3 - 7	M4 - M8	M4	80	220	100
EM55020012	UC375	9 - 14	M10 - M12	M6	120	220	100

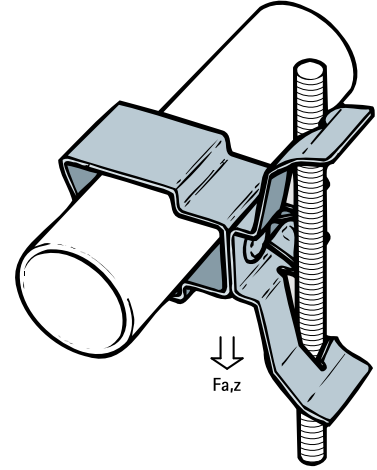
For use with static loads only.



Britclips® Utility Conduit Clip

for threaded rods or flanges 25 mm

(J 25 120)

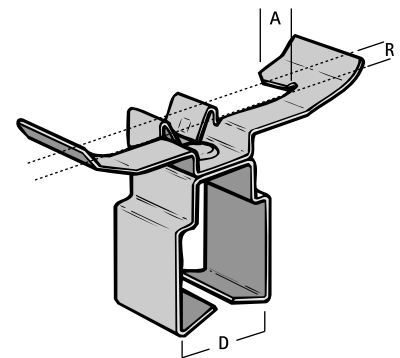


Features and benefits

- for quick fixing to threaded rods or flanges without welding or drilling
- material: spring steel (type CS70)
- conduit clip swivels 360°
- surface treatment: Delta-Tone 9000 (480 hours)

Part No.	Code	D (mm)	A (mm)	R	F _{a,z} (N)	Pack 1
EM55142508	UCC750	25	3 - 7	M4 - M8	110	25
EM55142512	UCC37-75	25	9 - 14	M10 - M12	110	25

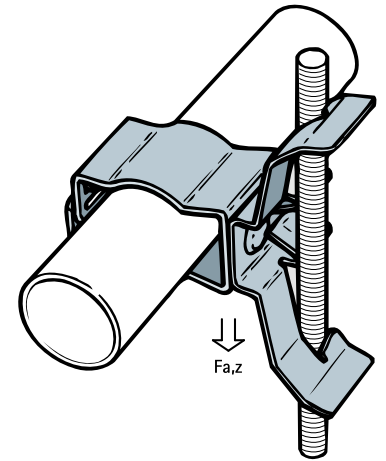
For use with static loads only.



Britclips® Utility Locking Conduit Clip

(J 25 125)

for threaded rods or flanges 20 - 25 mm

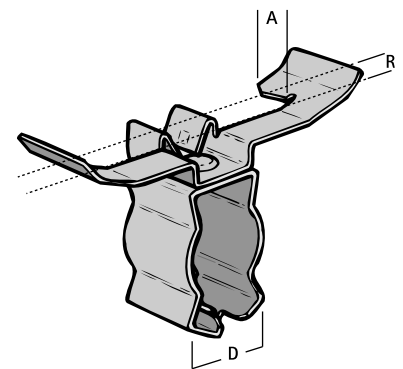


Features and benefits

- for quick fixing to threaded rods or flanges without welding or drilling
- material: spring steel (type CS70)
- conduit clip swivels 360°
- surface treatment: Delta-Tone 9000 (480 hours)
- conduit clip with jaw locking (use pliers to lock)

Part No.	Code	D (mm)	A (mm)	R	F _{a,z} (N)	Pack 1
EM55122408	ULCC50	20 - 22	3 - 7	M4 - M8	220	25
EM55122608	ULCC75	23 - 25	3 - 7	M4 - M8	220	25
EM55122508	ULCC575	20 - 25	3 - 7	M4 - M8	220	25
EM55122412	ULCC37-50	20 - 22	9 - 14	M10 - M12	220	25
EM55122612	ULCC37-75	23 - 25	9 - 14	M10 - M12	220	25
EM55122512	ULCC37-575	20 - 25	9 - 14	M10 - M12	220	25

For use with static loads only.



Britclips® Utility Clip / Light Duty Cable Tray Bracket

for threaded rods or flanges

(J 25 130)

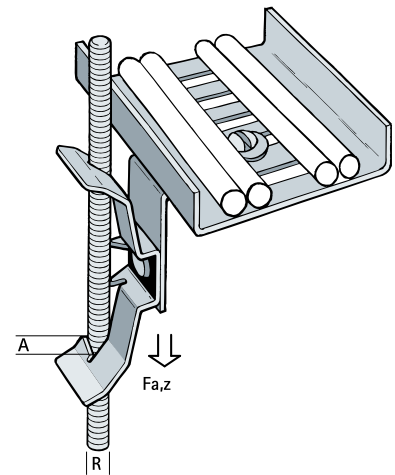


Features and benefits

- for quick fixing to threaded rods or flanges without welding or drilling
- for light duty cable trays
- material: Britclips® Utility Clips made of spring steel (type CS70); Britclips® Light Cable Tray Support Bracket made of steel
- surface treatment: Delta-Tone 9000 (480 hours)

Part No.	Code	A (mm)	R	F _{a,z} (N)	Pack 1
EM55920008	UC250-CTB	3 - 7	M4 - M8	220	50
EM55920012	UC375-CTB	9 - 14	M10 - M12	220	100

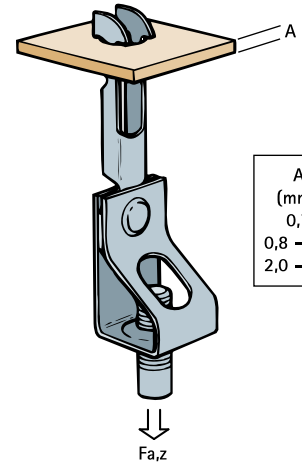
For use with static loads only.



Britclips® Threaded Rod Deck Hanger

for ceilings

(J 30 115)

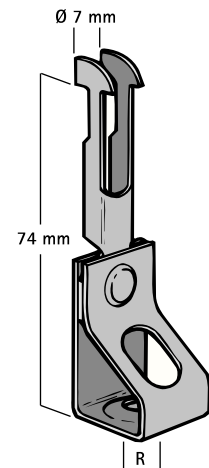


A (mm)	Fa,z (N)
0,7	300
0,8 - 2,0	470
2,0 - 3,0	950

Features and benefits

- for fixing to roofing sheets
- with threaded rod holder (rod height adjustable by screwing)
- material: spring steel (type CS70)
- surface treatment: Delta-Tone 9000 (480 hours)

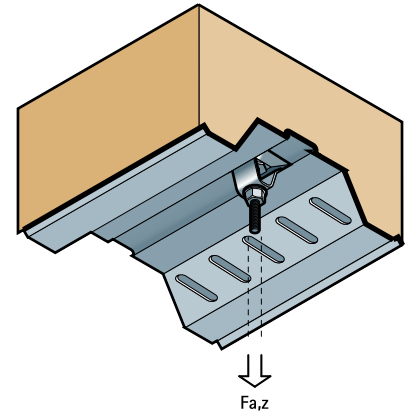
Part No.	Code	R	Pack 1
EM54420800	HDC8MT	M8	100
<i>For use with static loads only.</i>			
<i>Safe load dependent on thickness of roof sheet.</i>			



Britclips® Multiwedge Deck Hanger

for ceilings

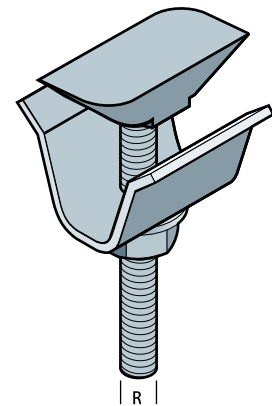
(J 30 125)



Features and benefits

- for fixing to Ward Multideck 60 and Multideck 80
- zinc plated
- for providing threaded rod suspension

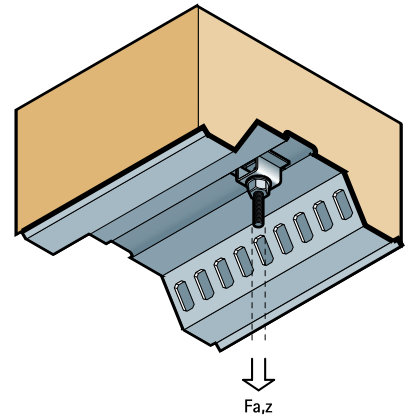
Part No.	Code	R	F _{a,z} (N)	Pack 1
EM58992008	LMW8	M8	1,470	50
EM58992010	LMW10	M10	1,470	50
For use with static loads only. Safe load dependent on thickness of roof sheet.				



Britclips® Alphawedge Deck Hanger

for ceilings

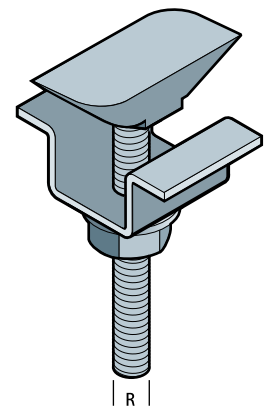
(J 30 130)



Features and benefits

- for fixing to Richard Lee Ribdeck AL, Ribdeck E60 and Ribdeck 80
- zinc plated
- for providing threaded rod suspension

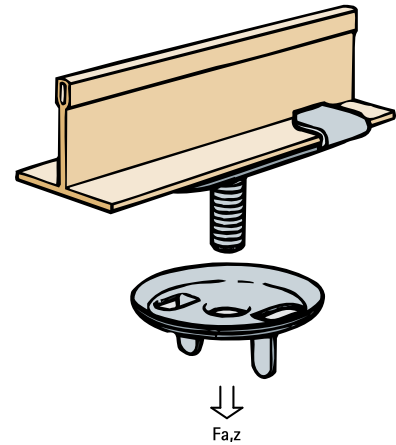
Part No.	Code	R	$F_{a,z}$ (N)	Pack 1
EM58991010	LAW10	M10	1,000	50
<i>For use with static loads only. Safe load dependent on thickness of roof sheet.</i>				



Britclips® T Bar / Twist On Clip (AC)

(J 35 105)

for ceiling grid 15 - 25 mm

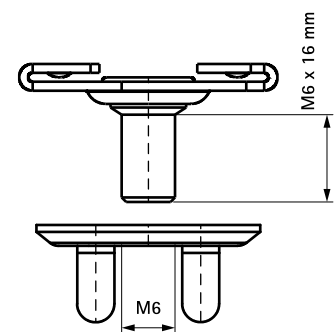


Features and benefits

- twist on fixing
- for fixing to the ceiling grid
- with stud bolt M6 (length see table) for fixing of clamp, conduit junction box, etc.
- spin nut included
- material: spring steel (type CS70)
- surface treatment: Delta-Tone 9000 (480 hours)

Part No.	Code	G	B (mm)	F _{a,z} (N)	Pack 1
EM56521603	AC15	M6 x 16 mm	15	220	100
EM56521604	AC25	M6 x 16 mm	25	220	100
EP56521604	AC25	M6 x 16 mm	25	220	25

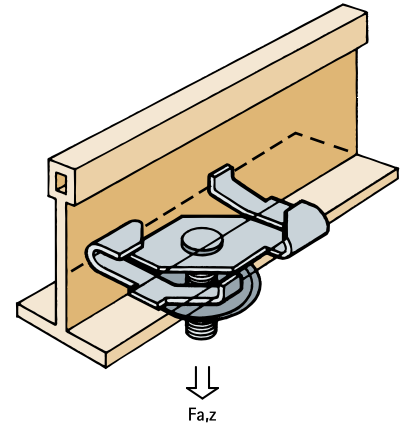
For use with static loads only.



Britclips® T Bar / Twist On Clip (OAC)

(J35 110)

for ceiling grid

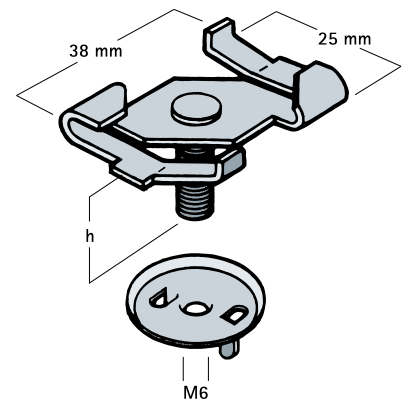


Features and benefits

- twist on fixing
- for fixing to the ceiling grid
- with stud bolt M6 (length see table) for fixing of clamp, conduit junction box, etc.
- spin nut included
- material: spring steel (type CS70)
- surface treatment: Delta-Tone 9000 (480 hours)

Part No.	Code	h (mm)	F _{a,z} (N)	Pack 1
EM56521607	OAC25-16	16	220	100
EM56522507	OAC25-25	25	220	100

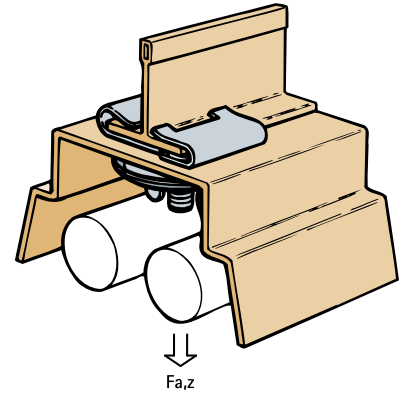
For use with static loads only.



Britclips® T Bar Clip

for ceiling grid

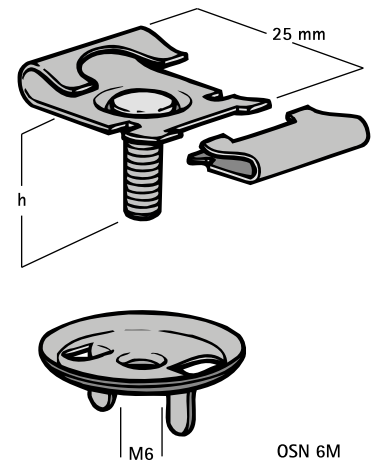
(J 35 115)



Features and benefits

- twist on fixing
- for fixing to the ceiling grid
- with stud bolt M6 (length see table) for fixing of clamp, conduit junction box, etc.
- two-part adjustment, for fixing without damaging the grid
- spin nut included
- material: spring steel (type CS70)
- surface treatment: Delta-Tone 9000 (480 hours)

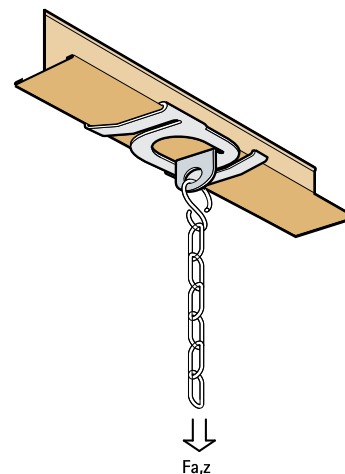
Part No.	Code	h (mm)	F _{a,z} (N)	Pack 1
EM56520627	AC1000	16	450	100
<i>For use with static loads only.</i>				



Britclips® Decor Sign Hanger

for ceiling grid 25 mm

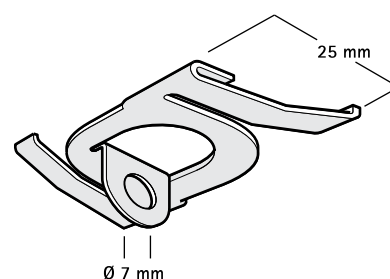
(J 35 125)



Features and benefits

- twist on fixing
- for fixing to the ceiling grid
- with fixing hole (Ø 7.0 mm) to fix S-hook, etc.
- material: spring steel (type CS70)

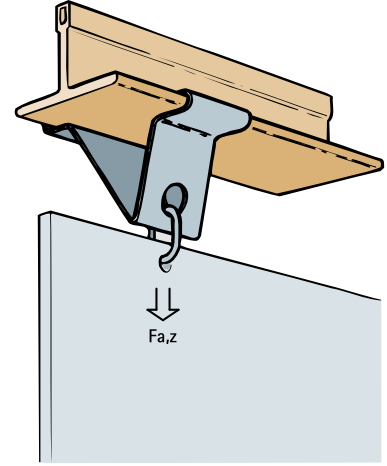
Part No.	Code	F _{a,z} (N)	ST	Pack 1
EM56090025	HSH2	220	epoxy-coated (white)	100
<i>For use with static loads only.</i>				



Britclips® Sign Hanger

for ceiling grid 25 mm

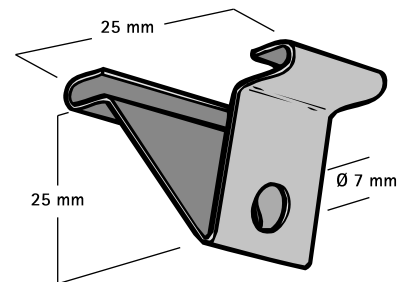
(J 35 130)



Features and benefits

- twist on fixing
- for fixing to the ceiling grid
- with fixing hole (Ø 7.0 mm) to fix S-hook, etc.
- material: spring steel (type CS70)
- surface treatment: Delta-Tone 9000 (480 hours)

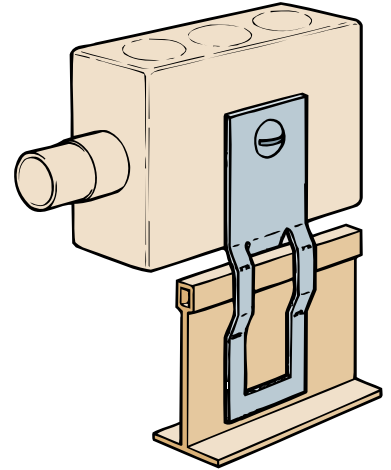
Part No.	Code	F _{a,z} (N)	Pack 1
EM56020725	HSH	180	100
<i>For use with static loads only.</i>			



Britclips® T Bar Straight Bracket

for ceiling grid

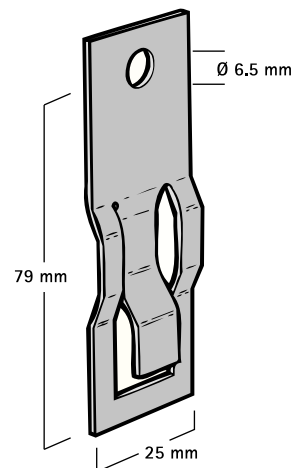
(J 35 135)



Features and benefits

- for fixing to the ceiling grid
- straight, with hole (Ø 6.5 mm) for universal connection
- material: spring steel (type CS70)
- surface treatment: Delta-Tone 9000 (480 hours)

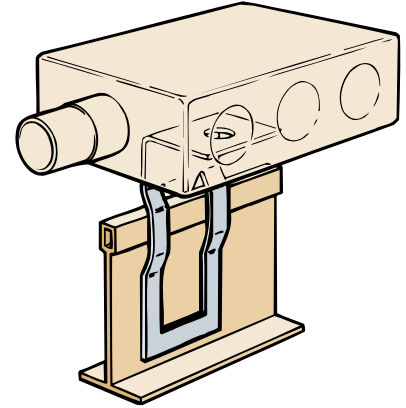
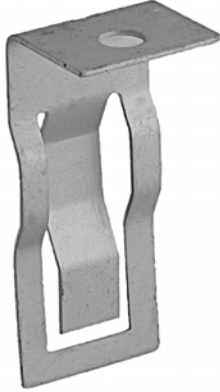
Part No.	Code	Pack 1
EM56020002	ABCS	100
<i>For use with static loads only.</i>		



Britclips® T Bar Angle Bracket

for ceiling grid

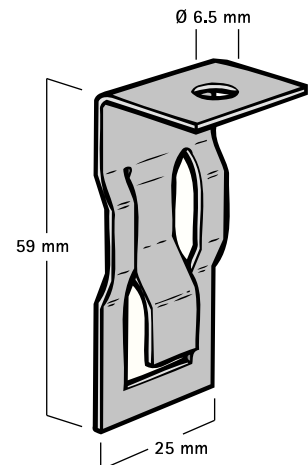
(J 35 140)



Features and benefits

- for fixing to the ceiling grid
- angle bracket 90°
- with drilling hole (Ø 6.5 mm) for a universal connection
- material: spring steel (type CS70)
- surface treatment: Delta-Tone 9000 (480 hours)

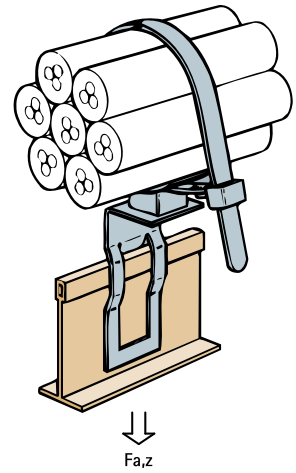
Part No.	Code	Pack 1
EM56020001	ABC	100
<i>For use with static loads only.</i>		



Britclips® T Bar Angle Bracket Cable Tie

for ceiling grid

(J 35 175)

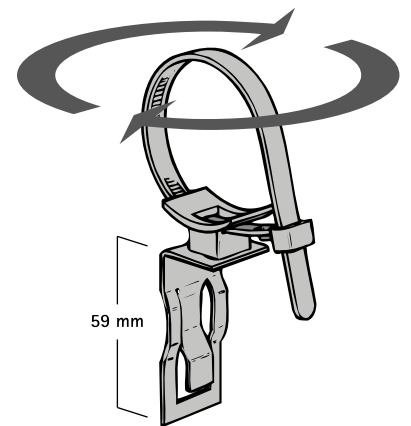


Features and benefits

- for fixing of cables on top of ceiling grid
- with saddle for cable tie attachment (up to width 7.6 mm)
- material: bracket made of spring steel (type CS70); tie-wrap clip of PA (polyamide), black
- surface treatment: Delta-Tone 9000 (480 hours)

Part No.	Code	Model	F _{a,z} (N)	Pack 1
EM56021090	ABCT	No tie	220	100
EM56021096	ABCT-5.5	With tie (L = 160 mm)	220	100

For use with static loads only.



Britclips® T Bar Angle Bracket Cable Tie (Metal)

(J 35 180)

for ceiling grid



Features and benefits

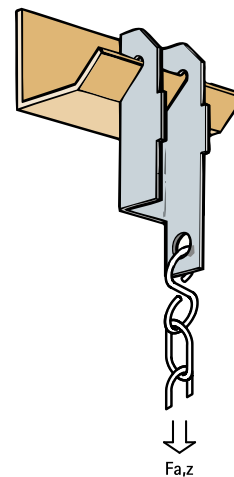
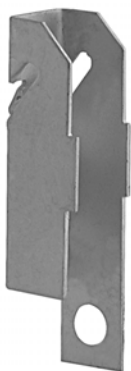
- for fixing of cables on top of ceiling grid
- with metal saddle for cable tie attachment
- material: clip made of spring steel (type CS70); saddle and cable tie made of stainless steel
- clip: surface treatment Delta-Tone 9000 (480 hours)

Part No.	Code	Model	F _{a,z} (N)	Pack 1
56022096	ABCT-5.5M	With 200 mm cable tie	220	100

Britclips® Z Purlin Hanger

for purlins max. 2.5 mm

(J 40 103)

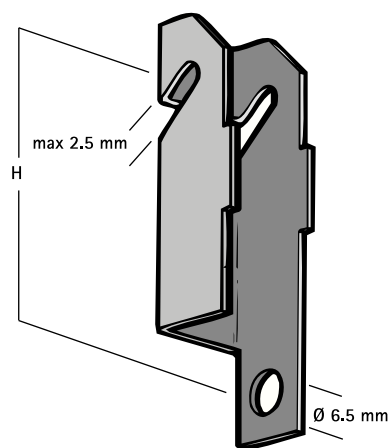


Features and benefits

- hold fast 45°
- for fixing to purlins
- with fixing hole (Ø 6.5 mm) vertical to fix S-hook, bolt/nut, etc.
- material: spring steel (type CS70)
- surface treatment: Delta-Tone 9000 (480 hours)

Part No.	Code	H (mm)	F _{a,z} (N)	Pack 1
EM57020103	ZP1	48	450	100

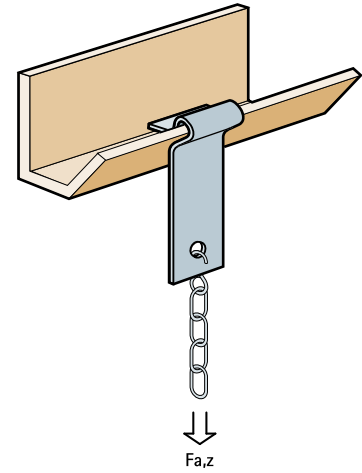
For use with static loads only.



Britclips® Angled Profile Clip

for purlins 1 - 5 mm

(J 40 106)

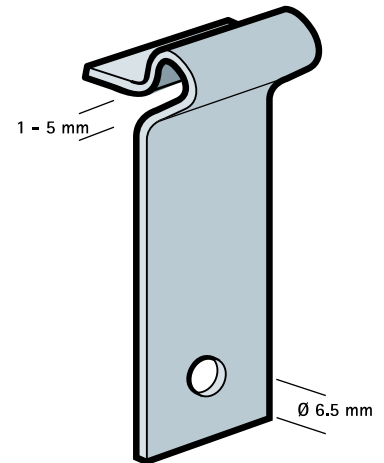


Features and benefits

- hold fast 45°
- for fixing to purlins
- with fixing hole (Ø 6.5 mm) vertical to fix S-hook, bolt/nut, etc.
- material: spring steel (type CS70)
- surface treatment: Delta-Tone 9000 (480 hours)

Part No.	Code	F _{a,z} (N)	Pack 1
EM57020105	ZP3	600	100

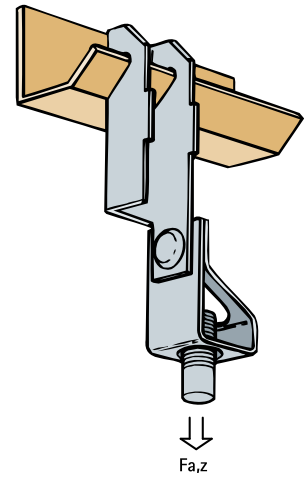
For use with static loads only.



Britclips® Z Purlin Threaded Rod Hanger

(J 40 115)

for purlins max. 2.5 mm

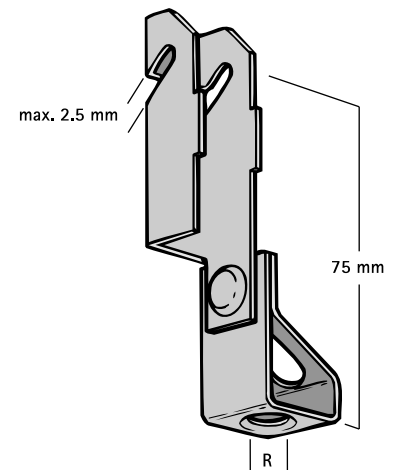


Features and benefits

- hold fast 45°
- for fixing to purlins
- with threaded rod holder (rod height adjustable by screwing)
- material: spring steel (type CS70)
- surface treatment: Delta-Tone 9000 (480 hours)

Part No.	Code	R	F _{a,z} (N)	Pack 1
EM57430603	ZP6MT	M6	450	100
EM57420803	ZP8MT	M8	450	100
EM57421003	ZP10MT	M10	450	100

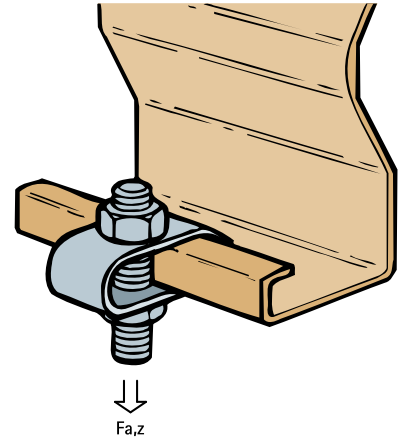
For use with static loads only.



Britclips® Purlin Clamp

for purlins

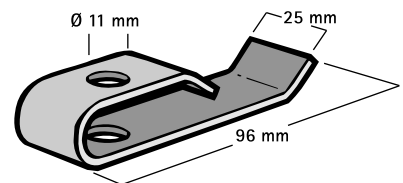
(J 40 130)



Features and benefits

- hold fast 90°
- for fixing to purlins
- material: steel
- pre-galvanized

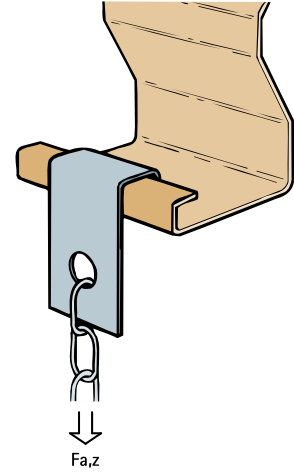
Part No.	Code	$F_{a,z}$ (N)	Pack 1
EM57020025	HPC1	200	100
<i>For use with static loads only.</i>			



Britclips® Purlin Clip

for purlins

(J 40 133)

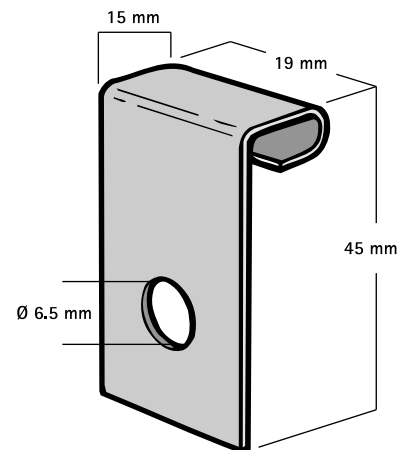


Features and benefits

- hold fast 90°
- for fixing to purlins
- with fixing hole (Ø 6.5 mm) vertical to fix S-hook, bolt/nut, etc.
- material: spring steel (type CS70)
- surface treatment: Delta-Tone 9000 (480 hours)

Part No.	Code	F _{a,z} (N)	Pack 1
EM57020015	HPC2	200	100

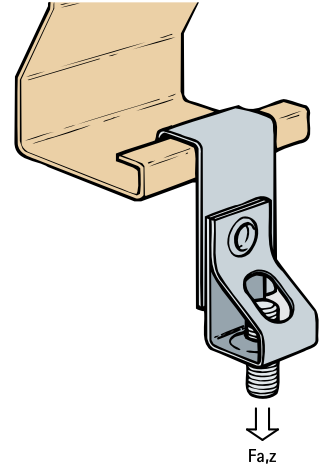
For use with static loads only.



Britclips® Purlin Clip / Threaded Rod Hanger

for purlins

(J 40 139)

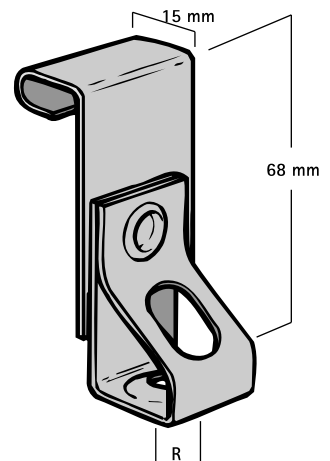


Features and benefits

- hold fast 90°
- for fixing to purlins
- with threaded rod holder (rod height adjustable by screwing)
- material: spring steel (type CS70)
- surface treatment: Delta-Tone 9000 (480 hours)

Part No.	Code	R	F _{a,z} (N)	Pack 1
EM57420615	HPC6MT	M6	200	100
EM57420815	HPC8MT	M8	200	100
EM57421015	HPC10MT	M10	200	100

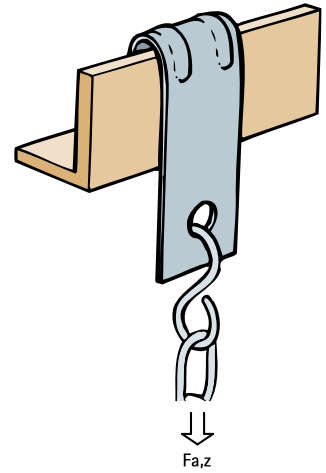
For use with static loads only.



Britclips® Vertical Flange Clip

for vertical flanges 1 - 7 mm

(J 40 151)

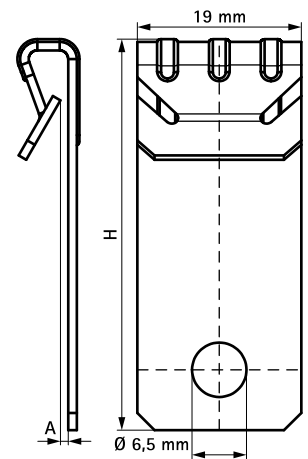


Features and benefits

- for fixing to vertical flanges
- with fixing hole (Ø 6.5 mm) vertical to fix S-hook, bolt/nut, etc.
- material: spring steel (type CS70)
- surface treatment: Delta-Tone 9000 (480 hours)

Part No.	Code	A (mm)	H (mm)	F _{a,z} (N)	Pack 1
EM57020005	VF1	1 - 5	39	720	100
EP57020005	VF1	1 - 5	39	720	25
EM57020007	VF2	5 - 7	40	720	100
EP57020007	VF2	5 - 7	40	720	25

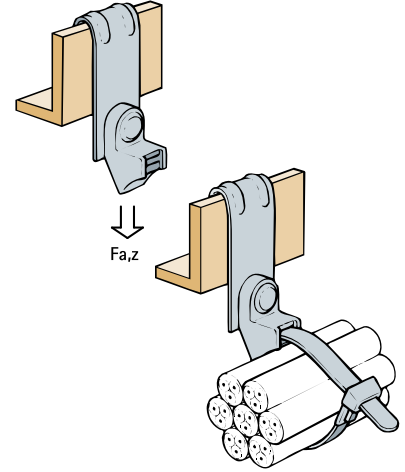
For use with static loads only.



Britclips® Vertical Flange Cable Saddle

(J 40 157)

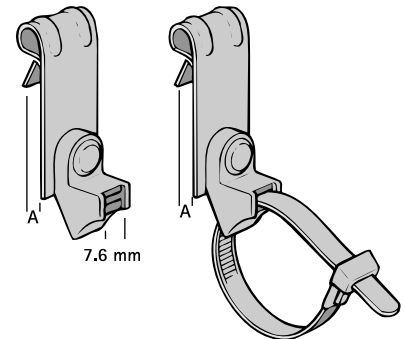
for vertical flanges 1 - 7 mm



Features and benefits

- for fixing to vertical flanges
- with saddle for cable tie attachment (up to width 7.6 mm)
- material: bracket made of spring steel (type CS70); tie-wrap clip of PA (polyamide), black
- surface treatment: Delta-Tone 9000 (480 hours)

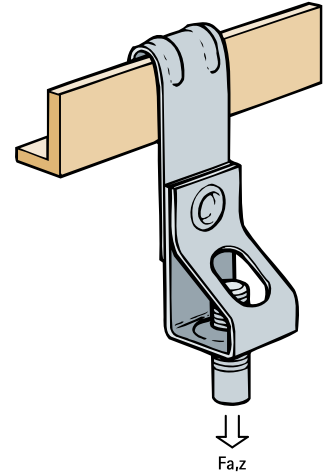
Part No.	Code	Model	A (mm)	F _{a,z} (N)	Pack 1
EM57320005	VFCT1	No tie	1 - 5	220	100
<i>For use with static loads only.</i>					



Britclips® Vertical Flange Threaded Rod Hanger

(J 40 160)

for vertical flanges 1 - 7 mm

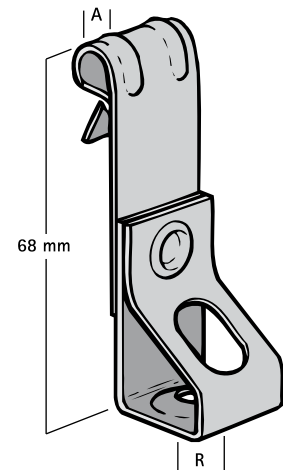


Features and benefits

- for quick and easy fixing to vertical flanges
- with threaded rod holder (rod height adjustable by screwing)
- material: spring steel (type CS70)
- surface treatment: Delta-Tone 9000 (480 hours)

Part No.	Code	A (mm)	R	F _{a,z} (N)	Pack 1
EM57420605	VF1-6MT	1 - 5	M6	650	100
EP57420605	VF1-6MT	1 - 5	M6	650	25
EM57420805	VF1-8MT	1 - 5	M8	700	100
EP57420805	VF1-8MT	1 - 5	M8	700	25
EM57421005	VF1-10MT	1 - 5	M10	720	100
EP57421005	VF1-10MT	1 - 5	M10	720	25
EM57421105	VF1-12P	1 - 5	Ø 11 mm	720	100
EM57420607	VF2-6MT	5 - 7	M6	650	100
EM57420807	VF2-8MT	5 - 7	M8	700	100
EM57421007	VF2-10MT	5 - 7	M10	720	100

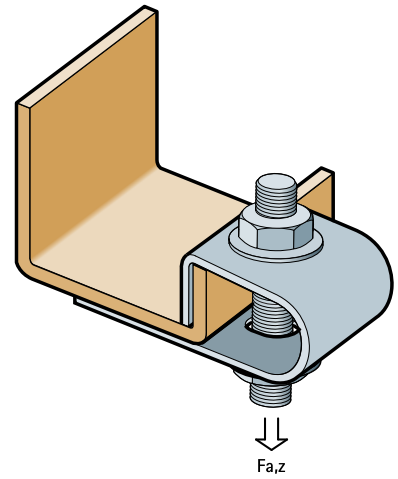
For use with static loads only.



Britclips® Z Purlin Clamp

for vertical flanges

(J 40 166)

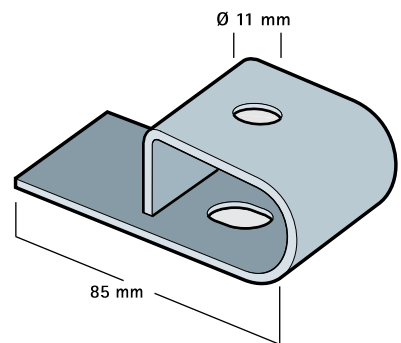


Features and benefits

- for fixing to vertical flanges
- for threaded rod up to M10
- material: steel
- zinc plated

Part No.	Code	$F_{a,z}$ (N)	Pack 1
EM57431185	ZHD2	450	100
EP57431185	ZHD2	450	10

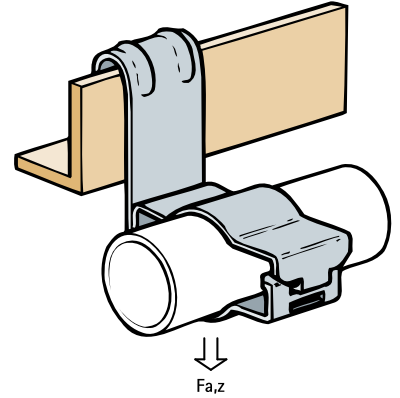
For use with static loads only.



Britclips® Vertical Flange Clip / Locking Conduit Combination

(J 40 178)

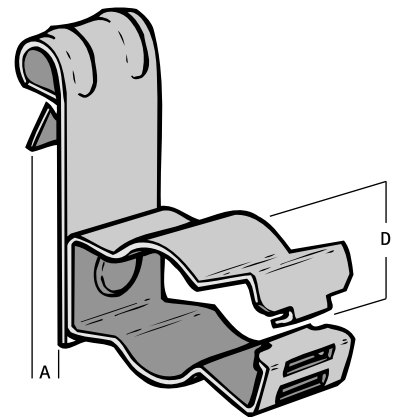
for vertical flanges 1 - 7 mm



Features and benefits

- for fixing to vertical flanges
- suitable for pipe or cable fixing
- conduit clip swivels 360°
- conduit clip with jaw locking (use pliers to lock)
- material: spring steel (type CS70)
- surface treatment: Delta-Tone 9000 (480 hours)

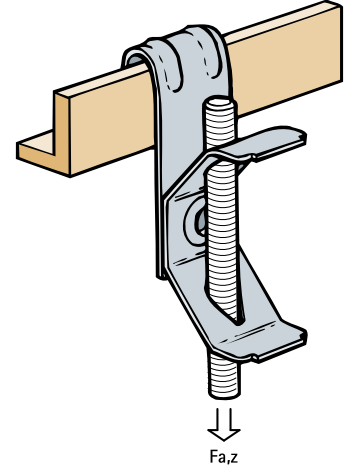
Part No.	Code	D (mm)	A (mm)	F _{a,z} (N)	Pack 1
EM57182505	VFCL1-575	20 - 25	1 - 5	450	100
<i>For use with static loads only.</i>					



Britclips® Vertical Flange Adjustable Rod Hanger

(J 40 187)

for vertical flanges 1 - 7 mm

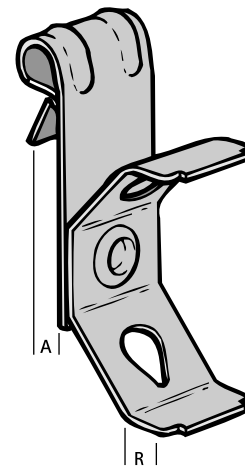


Features and benefits

- for fixing to vertical flanges
- with threaded rod clip (rod height adjustable by sliding)
- material: spring steel (type CS70)
- surface treatment: Delta-Tone 9000 (480 hours)

Part No.	Code	A (mm)	R	F _{a,z} (N)	Pack 1
EM57620805	VF1-TRH8	1 - 5	M8	350	100

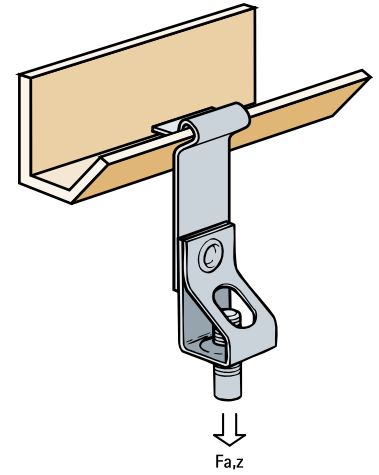
For use with static loads only.



Britclips® Angled Profile Clip / Rod Hanger

for purlins 1 - 5 mm

(J 40 193)

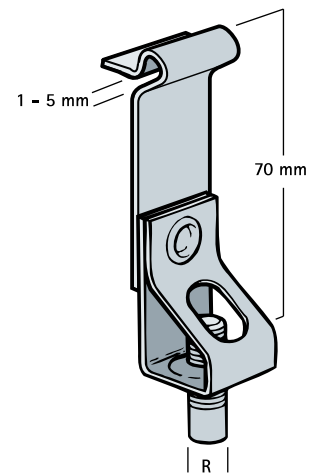


Features and benefits

- hold fast 45°
- for fixing to purlins
- with threaded rod holder (rod height adjustable by screwing)
- material: spring steel (type CS70)
- surface treatment: Delta-Tone 9000 (480 hours)

Part No.	Code	R	F _{a,z} (N)	Pack 1
EM57430805	ZP3-8MT	M8	450	100
EM57431005	ZP3-10MT	M10	450	100

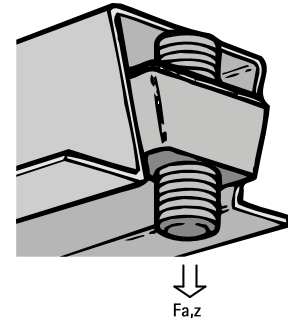
For use with static loads only.



Britclips® Wedge Nut

for composite flooring systems

(J 45 30)

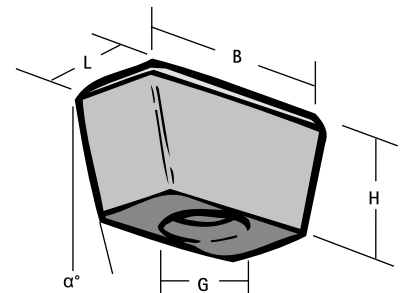


Features and benefits

- for fixing to composite flooring systems
- material: steel
- with thread connector
- zinc plated

Part No.	Type	R	L	B	H	a	F _{a,z}	Pack 1	Pack 2
				(mm)	(mm)	(°)	(N)		
6213006	HW6	M6	12.5 mm	25	13.0	15.0°	1,200	100	400
6213008	HW8	M8	12.5 mm	25	13.0	15.0°	1,690	100	400
6213010	HW10	M10	12.5 mm	25	13.0	15.0°	2,050	100	400
6213106	HW6SR	M6	13.0 mm	21	10.0	11.5°	1,200	100	
6213108	HW8SR	M8	13.0 mm	21	10.0	11.5°	1,690	100	-
6213110	HW10SR	M10	13.0 mm	21	10.0	11.5°	2,250	100	-
6213208	HMWA8	M8	10.0 mm	19	10.0	23.5°	1,690	100	-
6213408	HMW8	M8	9.5 mm	19	9.5	14.0°	1,690	100	500

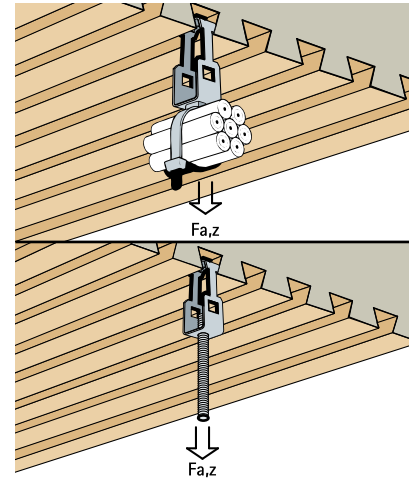
For use with static loads only.



Britclips® Suspension Clip / Single Clip

for composite flooring systems

(J 45 105)

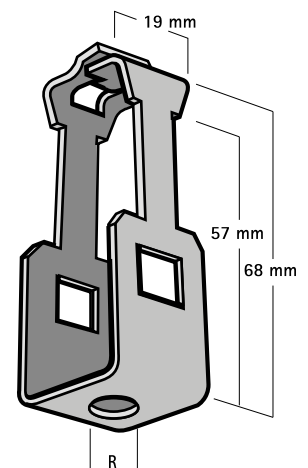


Features and benefits

- for fixing to composite flooring systems
- material: spring steel (type CS70)
- with thread connection or fixing hole for universal fixing
- surface treatment: Delta-Tone 9000 (480 hours)

Part No.	Code	R	F _{a,z} (N)	Pack 1
EM58420819	HOL3-8MT	M8	600	100
EM58421019	HOL3-10-MT	M10	600	100

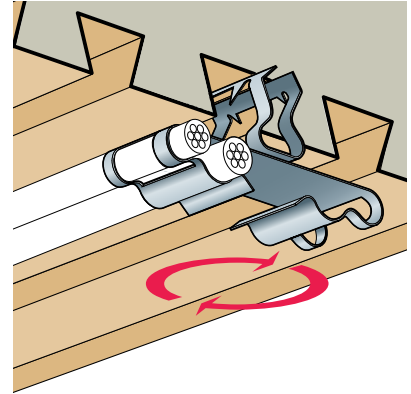
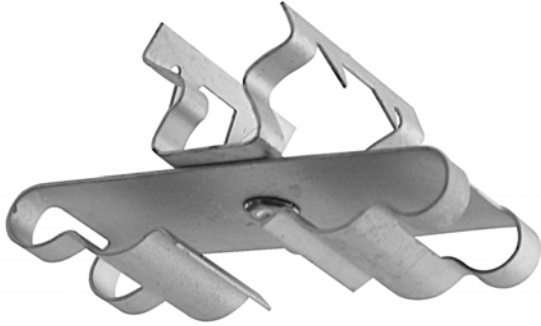
For use with static loads only.



Britclips® Dovetail Cable Hanger (HOL2)

for composite flooring systems

(J 45 115)

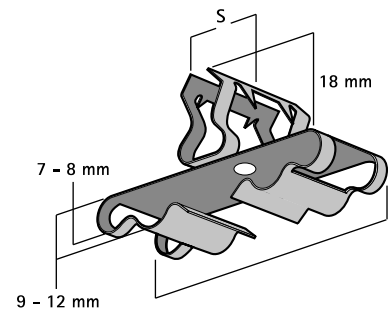


Features and benefits

- for fixing to composite flooring systems
- simple push in fixing
- for fixing up to 4 cables
- rotates through 360°
- material: spring steel (type CS70)
- surface treatment: Delta-Tone 9000 (480 hours)

Part No.	Code	S (mm)	Pack 1
EM58221216	HOL2-1	12 - 16	100
EM58221222	HOL2-2	17 - 22	100

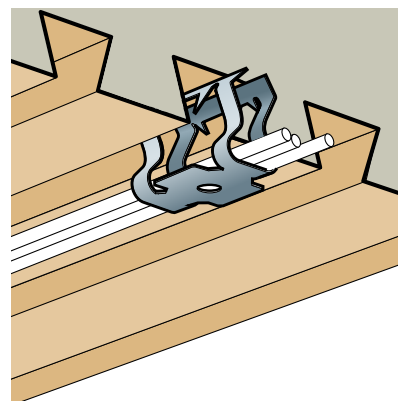
For use with static loads only.



Britclips® Dovetail Cable Hanger (HOL2-xC)

for composite flooring systems

(J 45 120)

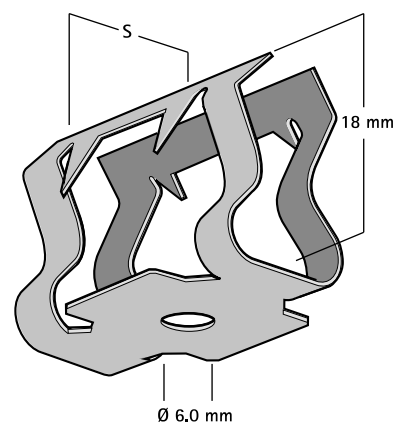


Features and benefits

- for fixing to composite flooring systems
- for cable fixing in roof deck
- material: spring steel (type CS70)
- surface treatment: Delta-Tone 9000 (480 hours)

Part No.	Code	d1 (mm)	S (mm)	Pack 1
EM58220001	HOL2-SC	Ø 6.0	12 - 16	100
EM58220002	HOL2-LC	Ø 6.0	17 - 22	100

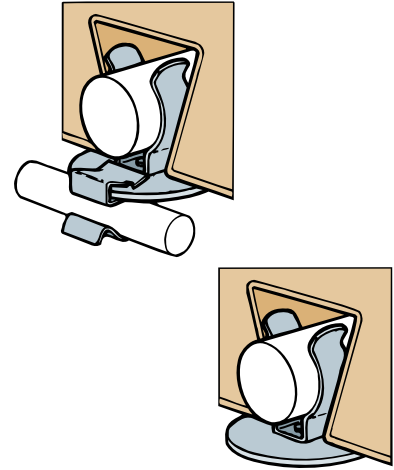
For use with static loads only.



Britclips® Dovetail Cable Hanger (HOL1)

for composite flooring systems 20 mm

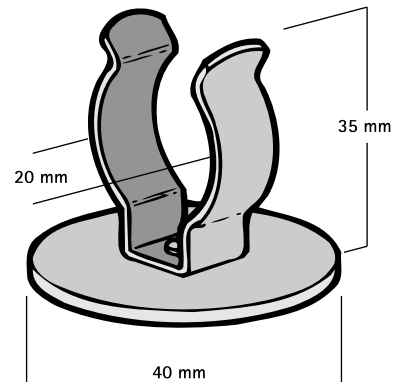
(J 45 125)



Features and benefits

- for fixing to composite flooring systems
- also anchors CR25-CR225 Cable Clips
- with provision for fixing of cable flange clip
- material: spring steel (type CS70)
- surface treatment: Delta-Tone 9000 (480 hours)

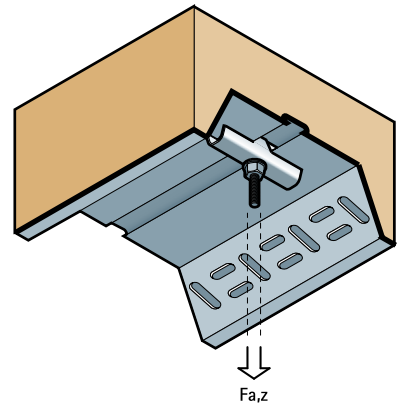
Part No.	Code	Pack 1
EM58220000	HOL1	100
<i>For use with static loads only.</i>		



Britclips® TR60 Deck Hanger

for composite flooring systems

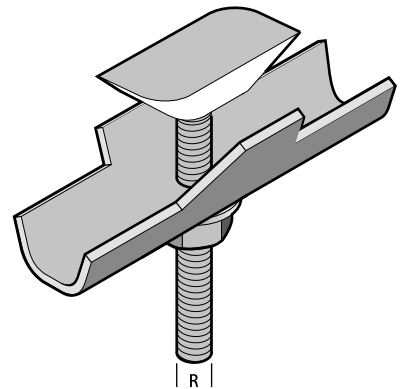
(J 45 130)



Features and benefits

- for fixing to SNO deck type TR60 and TR80
- zinc plated
- material: steel

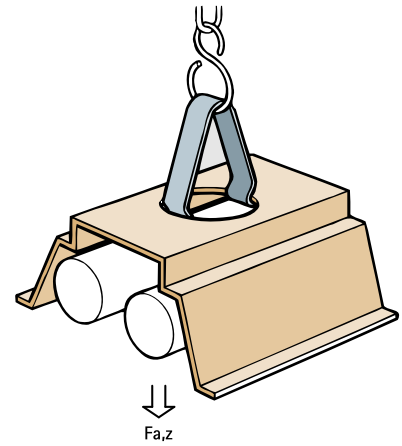
Part No.	Code	R	F _{a,z} (N)	Pack 1
EM58993010	LTR10	M10	1,000	50
<i>For use with static loads only.</i>				



Britclips® Suspension Clip

miscellaneous fixings

(J 50 104)

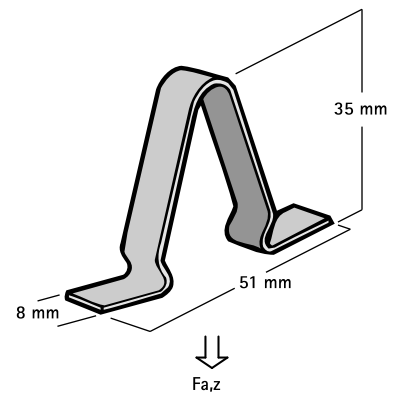


Features and benefits

- general purpose clip to support light fittings
- material: steel
- surface treatment: Delta-Tone 9000 (480 hours)

Part No.	Code	$F_{a,z}$ (N)	Pack 1
EM59030000	HSC1	80	100
EP59030000	HSC1	80	25

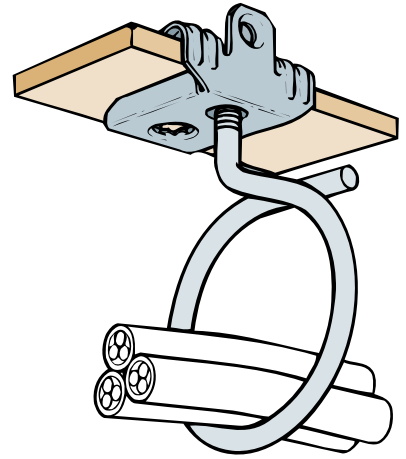
For use with static loads only.



Britclips® Bridle Ring

miscellaneous fixings

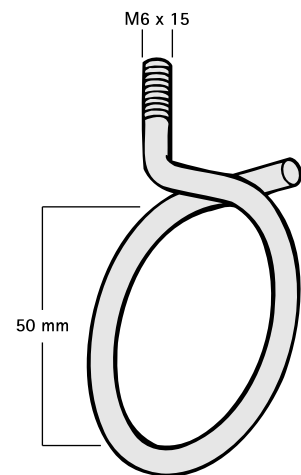
(J 50 106)



Features and benefits

- universally applicable cable(bundle) holder ■ zinc plated with thread M6
- material: steel

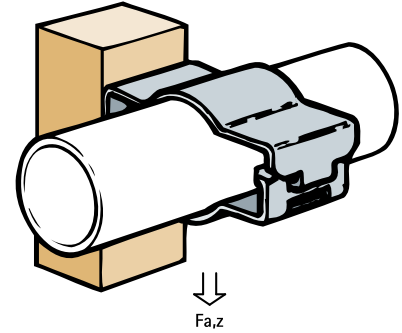
Part No.	Code	Pack 1
EM59030600	BR500	50
<i>For use with static loads only.</i>		



Britclips® Locking Conduit Clip

(J 50 110)

for all pipes 11 - 24 mm

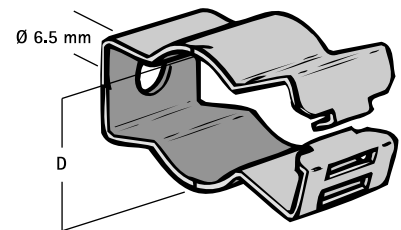


Features and benefits

- universally applicable
- with jaw locking (use pliers to lock)
- material: spring steel (type CS70)
- surface treatment: Delta-Tone 9000 (480 hours)

Part No.	Code	D (mm)	F _{a,z} (N)	Pack 1
EM59121700	HLCC25	11 - 17	250	100
EM59122400	HLCC50	20 - 22	450	100
EM59122500	HLCC575	18 - 24	450	100

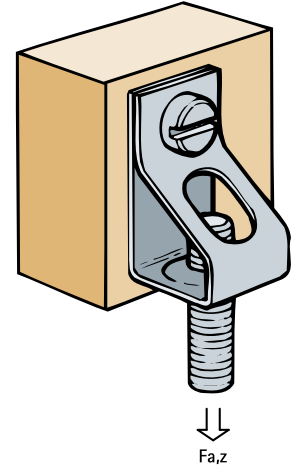
For use with static loads only.



Britclips® Threaded Rod Hanger

miscellaneous fixings

(J 50 112)

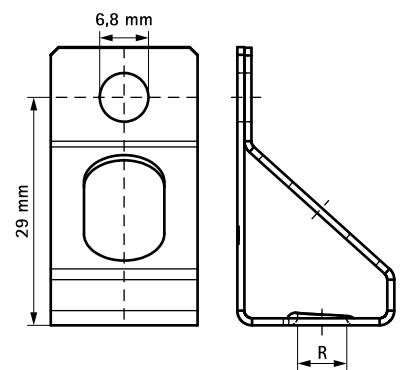


Features and benefits

- stud bolts adjustable
- material: spring steel (type CS70)
- surface treatment: Delta-Tone 9000 (480 hours)

Part No.	Code	R	F _{a,z} (N)	Pack 1
EM59420600	RH6MT	M6	680	100
EM59420800	RH8MT	M8	680	100
EM59421000	RH10MT	M10	680	100

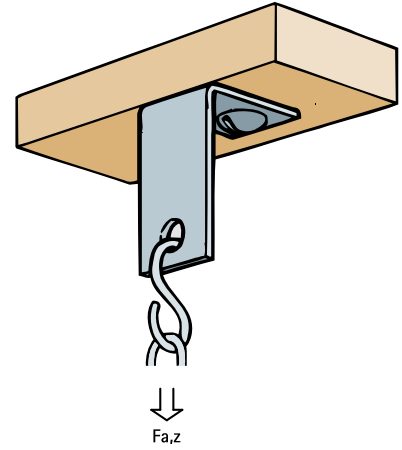
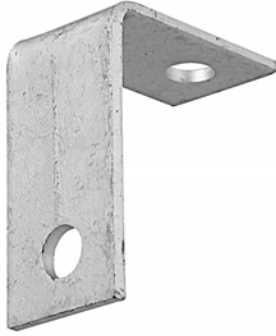
For use with static loads only.



Britclips® Right Angle Bracket

miscellaneous fixings

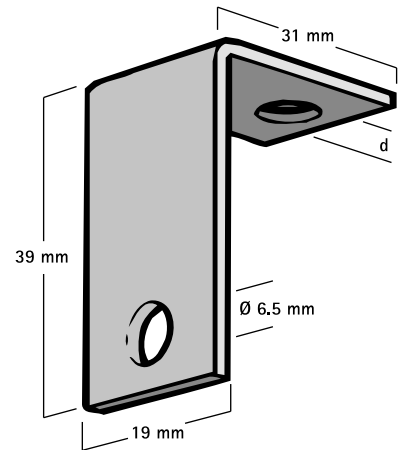
(J 50 114)



Features and benefits

- angle bracket 90°
- with fixing hole (Ø 6.5 mm) vertical to fix S-hook, bolt/nut, etc.
- material: steel
- surface treatment: Delta-Tone 9000 (480 hours)

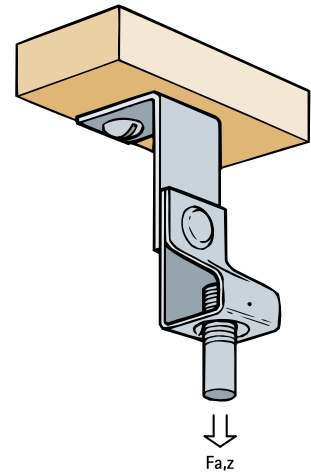
Part No.	Code	d (mm)	F _{a,z} (N)	Pack 1
EM59020000	RHA	Ø 6.5	900	100
<i>For use with static loads only.</i>				



Britclips® Right Angle Threaded Rod Hanger

miscellaneous fixings

(J 50 118)

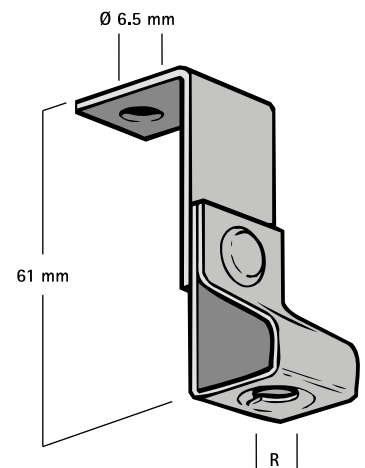


Features and benefits

- angle bracket 90°
- with threaded rod holder (rod height adjustable by screwing)
- material: Britclips® Threaded Rod Hanger made of spring steel (type CS70); Britclips® Right Angle Bracket made of steel
- surface treatment: Delta-Tone 9000 (480 hours)

Part No.	Code	R	F _{a,z} (N)	Pack 1
EM59420601	RHA-6MT	M6	680	100
EM59420801	RHA-8MT	M8	680	100
EM59421001	RHA-10MT	M10	680	100

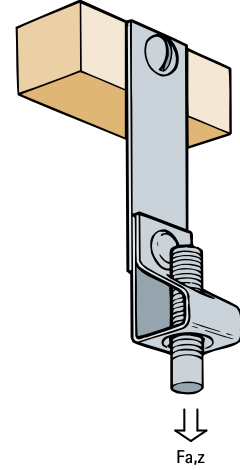
For use with static loads only.



Britclips® Straight Shank Threaded Rod Hanger

miscellaneous fixings

(J 50 120)

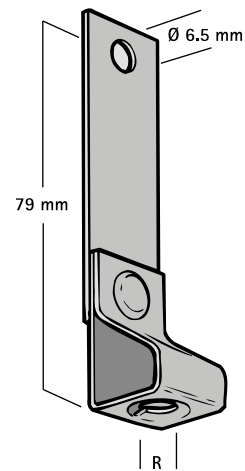


Features and benefits

- straight bracket
- with fixing hole (Ø 6.5 mm) vertical to fix S-hook, bolt/nut, etc.
- with threaded rod holder (rod height adjustable by screwing)
- material: Britclips® Threaded Rod Hanger made of spring steel (type CS70); Britclips® Straight Shank Bracket made of steel
- surface treatment: Delta-Tone 9000 (480 hours)

Part No.	Code	R	F _{a,z} (N)	Pack 1
EM59420803	RHS-8MT	M8	680	100
EM59421003	RHS-10MT	M10	680	100

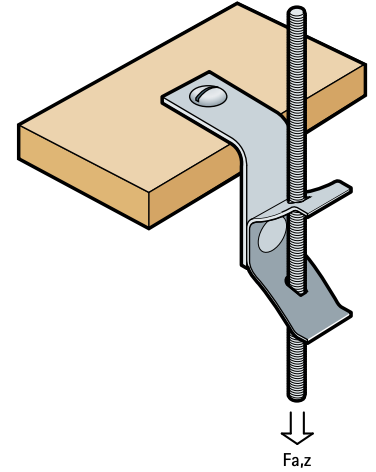
For use with static loads only.



Britclips® Right Angle Threaded Rod Hanger

miscellaneous fixings

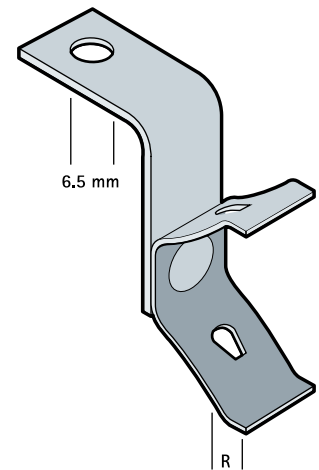
(J 50 122)



Features and benefits

- angle bracket 90°
- with threaded rod clip (rod height adjustable by sliding)
- material: Britclips® Height Adj Threaded Rod Hanger made of spring steel (type CS70); Britclips® Right Angle Bracket made of steel
- surface treatment: Delta-Tone 9000 (480 hours)

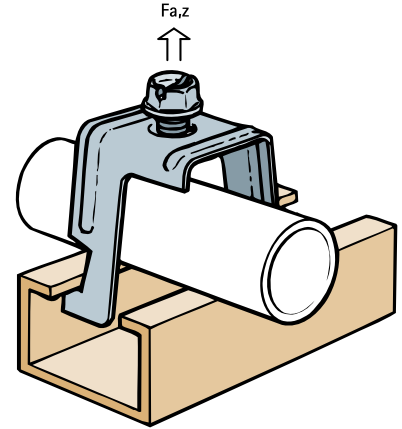
Part No.	Code	R	F _{a,z} (N)	Pack 1
EM59620800	RHA-TRH8	M8	350	100
<i>For use with static loads only.</i>				



Britclips® Metal Framing Conduit Clip

(J 50 128)

for all pipes Ø 16 - 25 mm

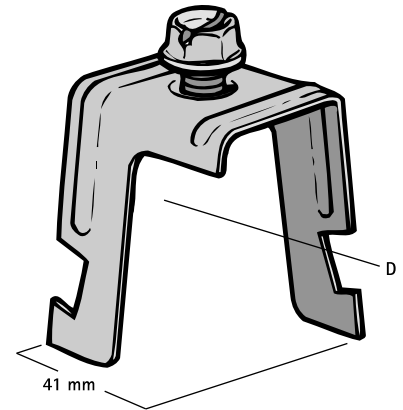


Features and benefits

- for engaging in metal Strut and supporting conduit
- conduit held in place by setting screw
- material: spring steel (type CS70)
- surface treatment: Delta-Tone 9000 (480 hours)

Part No.	Code	D (mm)	For Rail	F _{a,z} (N)	Pack 1
EM57800025	MF75	20 - 25	Strut	450	100

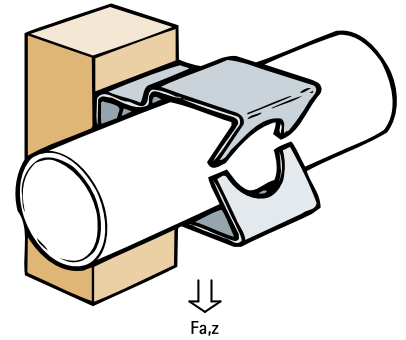
For use with static loads only.



Britclips® Snap-in Conduit Clip

for all pipes \varnothing 20 - 32 mm

(J 50 130)

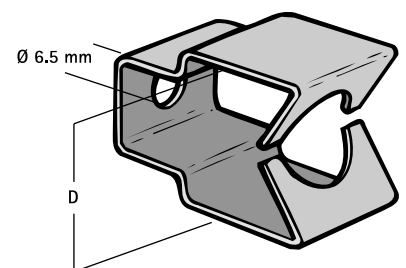


Features and benefits

- universally applicable
- snaps securely in position
- material: spring steel (type CS70)
- surface treatment: Delta-Tone 9000 (480 hours)

Part No.	Code	D (mm)	F _{a,z} (N)	Pack 1
EM59142000	CC500	20	110	100
EM59142500	CC750	25	110	100

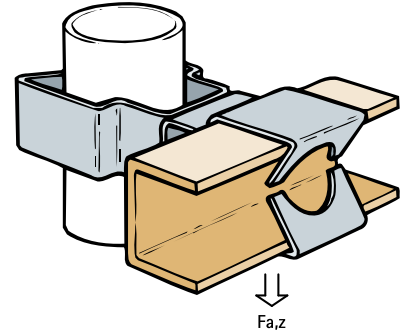
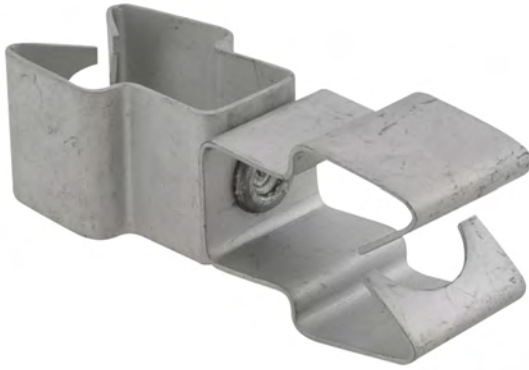
For use with static loads only.



Britclips® Double Run Conduit Mount

for all pipes 25 mm

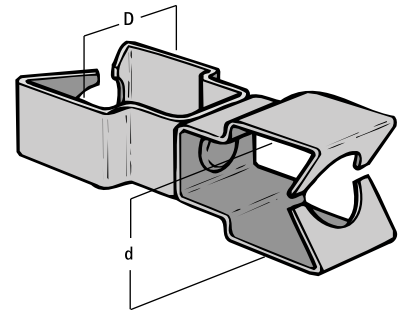
(J 50 132)



Features and benefits

- supports multi directional conduit
- conduit clip swivels 360°
- material: spring steel (type CS70)
- surface treatment: Delta-Tone 9000 (480 hours)

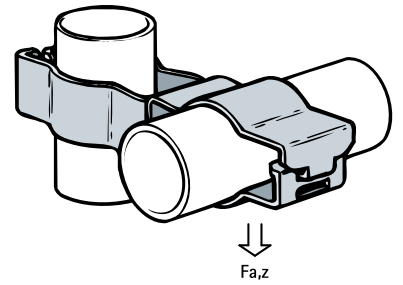
Part No.	Code	D (mm)	d (mm)	F _{a,z} (N)	Pack 1
EM59142525	CC75-75	25	25	110	100
<i>For use with static loads only.</i>					



Britclips® Double Run Locking Conduit Mount

(J 50 134)

for all pipes Ø 12 - 40 mm

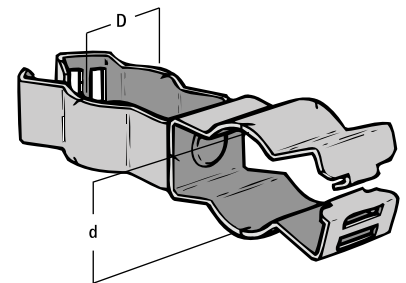


Features and benefits

- conduit clip swivels 360°
- surface treatment: Delta-Tone 9000 (480 hours)
- conduit clip with jaw locking (use pliers to lock)
- material: spring steel (type CS70)

Part No.	Code	D (mm)	d (mm)	F _{a,z} (N)	Pack 1
EM59122525	HLCC57-57	20 - 25	20 - 25	450	50
EM59122632	HLCC75-100	23 - 25	26 - 32	450	50

For use with static loads only.



Britclips® Pipe Clip

for all pipes Ø 12 - 25 mm

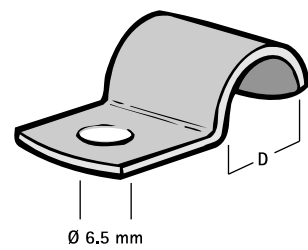
(J 50 136)



Features and benefits

- to secure pipe vertically or horizontally to masonry, concrete or timber surfaces
- surface treatment: Delta-Tone 9000 (480 hours)
- material: steel

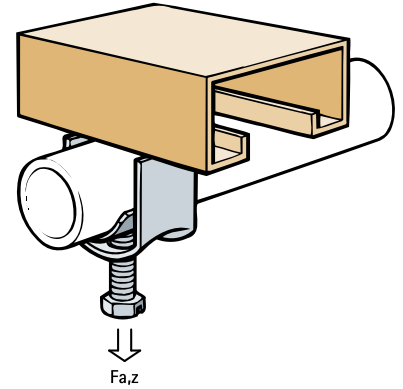
Part No.	Code	D (mm)	Pack 1
EM59161500	P15	15	100
<i>For use with static loads only.</i>			



Britclips® Channel Clamp

for all pipes \varnothing 16 - 90 mm

(J 50 138)

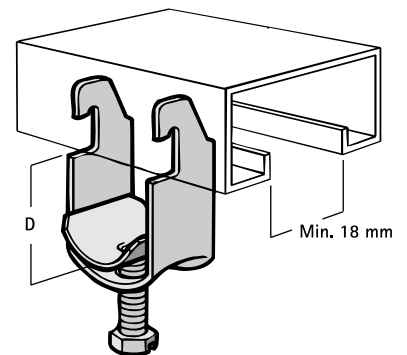


Features and benefits

- engages over channel flange to support cable
- pre-galvanized cable
- can be tightened to secure

Part No.	Code	D (mm)	F _{a,z} (N)	Pack 1
EM55551822	GCCA22	16 - 22	1,000	50
EM55551828	GCCA28	22 - 28	1,000	50

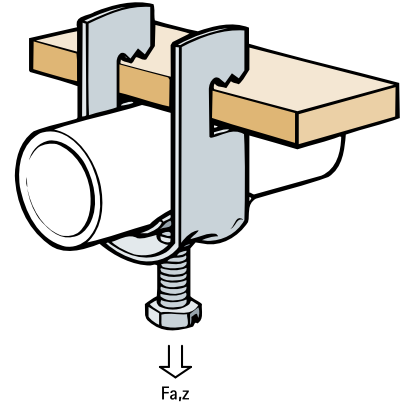
For use with static loads only.



Britclips® Cable / Conduit Clamp

for all pipes Ø 16 - 64 mm

(J 50 140)

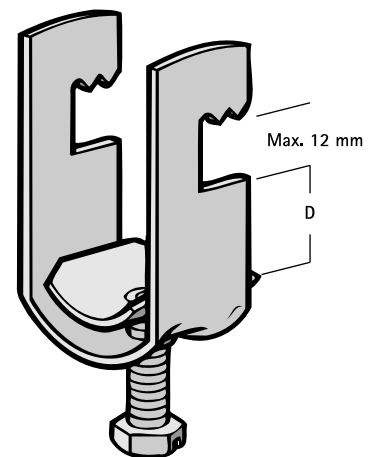


Features and benefits

- engages horizontal flanges
- pre-galvanized
- supports services running at right angles to the supporting flange

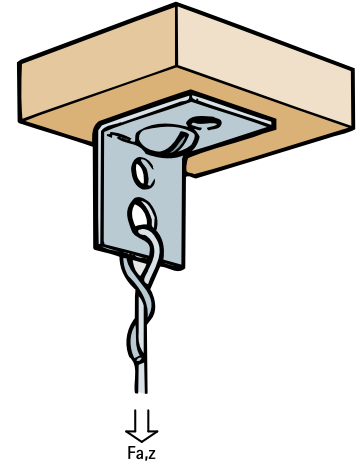
Part No.	Code	D (mm)	F _{a,z} (N)	Pack 1
EM55551222	GCCU22	16 - 22	1,000	50
EM55551228	GCCU28	22 - 28	1,000	50

For use with static loads only.



Britclips® Ceiling Bracket

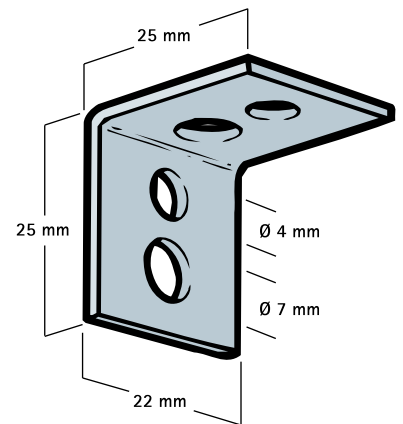
(J 50 162)



Features and benefits

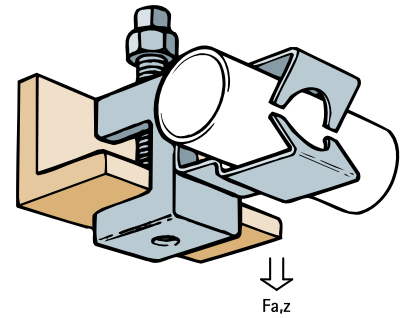
- angle bracket 90°
- material: steel
- bright zinc plated

Part No.	Code	F _{a,z} (N)	Pack 1
EM59020007	HCB1	100	500
<i>For use with static loads only.</i>			



Britclips® Heavy Duty Threaded Clamp

(J 50 164)

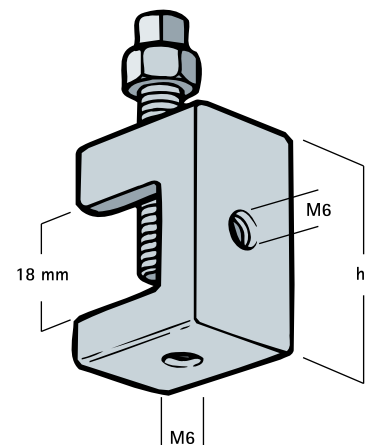


Features and benefits

- for a solid fixing to steel construction
- bright zinc plated
- without the need for welding or drilling
- various fixing possibilities to clamp (horizontal and vertical)
- material: malleable iron

Part No.	Code	h (mm)	F _{a,z} (N)	Pack 1
6003996	HLC	35	590	50

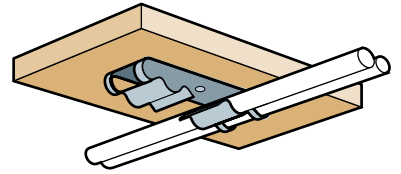
For use with static loads only.



Britclips® Double Cable Clip

7 - 12 mm

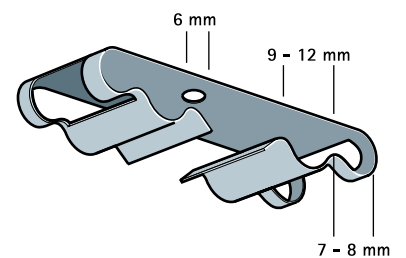
(J 50 170)



Features and benefits

- direct attachment to walls or ceilings
- material: spring steel (type CS70)
- surface treatment: Delta-Tone 9000 (480 hours)

Part No.	Code	D (mm)	d1 (mm)	Pack 1
EM58225000	DCC	7 - 12	Ø 6	100
<i>For use with static loads only.</i>				



BIS Cable Tie (Metal)

(J 50 173)



Features and benefits

- self-locking head design speeds installation and locks into place at any length along tie body
- ideal for high temperature environments (up to 538°C) and fire escape routes
- provides a strong and durable method of cable bundling
- material: stainless steel

Part No.	Model	L	Pack 1	Pack 2
09017020	Stainless steel	200 x 5.0 mm	100	5,000
09017030	Stainless steel	300 x 5.0 mm	100	4,000

Britclips® RSWB

Rapid Sliding Wall Bracket

(J 50 175)

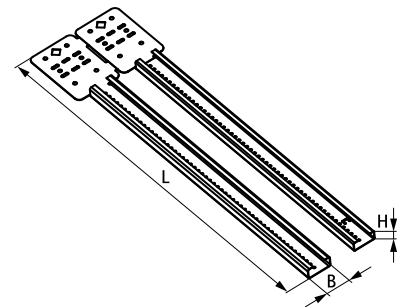


Features and benefits

- extendable bracket for faster mounting of electrical boxes, conduit and pipework
- suitable for use in stud walls and floor joists
- can be fixed to wood or metal joists
- quicker and easier to install than traditional methods
- can be set at multiple depths
- combine with starQuick® clamps or RapidRail® Hammerfix for even faster fixing
- Part No. 59491016: shorter version expands from 10 - 16" (25 - 40 cm)
- Part No. 59491624: longer version expands from 16 - 24" (40 - 60 cm)

- material: steel
- pre-galvanized

Part No.	Model	L	B (mm)	H (mm)	Pack 1
59491016	10 - 16" (25 - 40 cm)	323 mm	29.2	13.7	50
59491624	16 - 24" (40 - 60 cm)	440 mm	29.2	13.7	50



K BIS Fixing Accessories



BIS Top Hat Brackets

BIS Top Hat Bracket 100



BIS Wall Plates

BIS Wall Plate 670 101



BIS Beam Clamps

BIS Beam Clamp Model C 102

BIS Swivel Beam Clamp Model P 104



BIS Screws, Bolts, Washers, Nuts

BIS Eye Bolt Assembly ***



BIS Chains

BIS Spring Hook ***



BIS DobyGrip

BIS DobyGrip Loop 105

BIS DobyGrip Stud 108

BIS DobyGrip Snap End Hook 109

BIS DobyGrip Wire Reel 110

BIS DobyGrip Lock 111

BIS Wire Rope 112

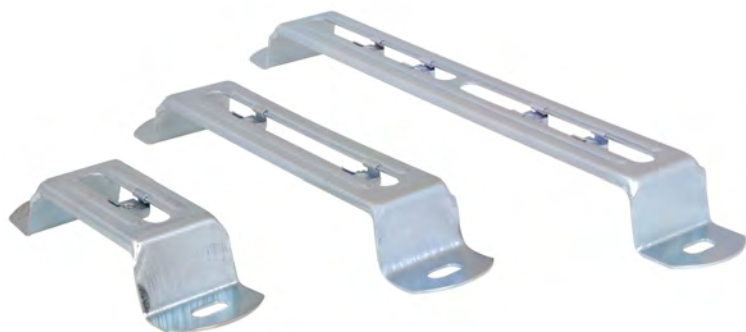
BIS Rope Grip and Eyelet 113

BIS Hook and Eye Rope Tensioner 114

BIS Anchor Ring 115

BIS Top Hat Bracket

(K 14 05)



Features and benefits

- stand-off bracket for cable trays
- adjustable captive nuts
- available in a range of sizes from 50 mm to 300 mm
- zinc plated

Part No.	Code	L	Pack 1
NE01TH000	NE-THB50	50 mm	400
NE02TH000	NE-THB75	75 mm	400
NE03TH000	NE-THB100	100 mm	400
NE04TH000	NE-THB150	150 mm	200
NE05TH000	NE-THB225	225 mm	80
NE06TH000	NE-THB300	300 mm	80

BIS Wall Plate 670

fixing to ceiling or floor

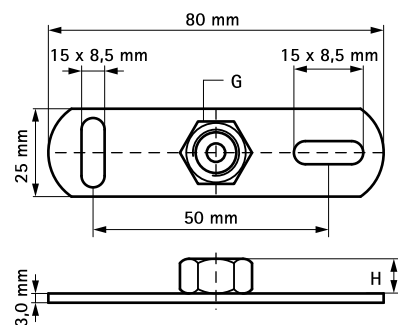
(K 15 05)



Features and benefits

- fixings to ceiling or floor (only tension loads recommended)
- slots at 90° to each other to simplify fixing
- with resistance welded connection nut
- material: steel
- zinc plated

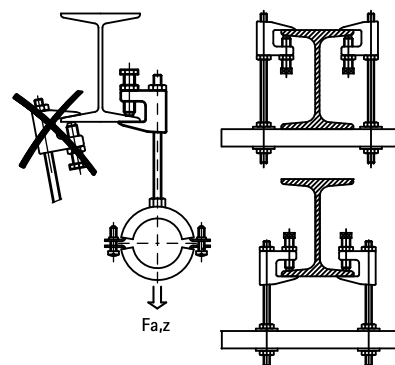
Part No.	G	H (mm)	F _{a,z} (N)	Pack 1	Pack 2
6703006	M6	6	2,500	50	250
6703008	M8	8	2,500	50	250
6703009	M8/10	18	2,500	50	200
6703010	M10	10	2,500	50	250
6703016	M16	13	2,500	50	250



BIS Beam Clamp Model C

for flange up to 28 mm

(K 20 05)



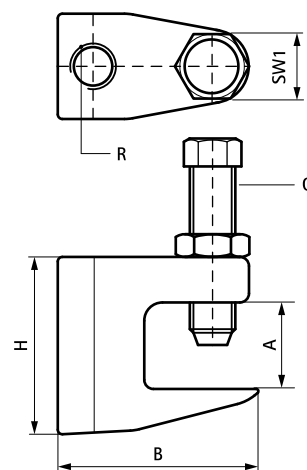
Features and benefits

- for a solid fixing to steel construction without the need for welding or drilling
- according to VdS-regulations an additional safety strap should be used when supporting pipes above DN65
- bolt with hexagon head according to DIN 933 strength class 8.8, screw point with cup ring according to EN ISO 4753 and lock nut
- material: beam clamp made of cast iron; bolt of hardened steel, nut of steel, zinc plated
- see also: BIS Safety Strap (page K 20 06)



Part No.	Code	A (mm)	R	G	B (mm)	H (mm)	SW1 (mm)	F _{a,z} (N)	FM	UL	VdS	Pack 1
6003006	TK10-M6	≤23	M6	M10	50	45	17	2,500	-	-	-	50
6003208	TKN8-M8	≤18	M8	M8	38	35	13	1,200	-	-	VdS	50
6003008	TK10-M8	≤23	M8	M10	50	45	17	2,500	-	-	VdS	50
6003010	TKN10-M10	≤20	M10	M10	44	42	17	2,500	FM	UL	VdS	50
6003310	TK16-M10	≤28	M10	M12	58	58	19	2,500	FM	UL	VdS	25
6003012	TK12-M12	≤26	M12	M10	58	54	17	3,500	FM	UL	VdS	25
6003016	TK16-M16	≤28	M16	M12	58	58	19	5,500	FM	UL	VdS	25
6003905	TKN8-D9	≤18	∅ 9 mm	M8	38	35	13	1,200	-	-	VdS	50
6003908	TK10-D9	≤23	∅ 9 mm	M10	50	45	17	2,500	-	-	VdS	50
6003910	TKN10-D11	≤20	∅ 11 mm	M10	44	42	17	2,500	FM	UL	VdS	50
6003912	TK12-D13	≤26	∅ 13 mm	M10	58	54	17	3,500	FM	UL	VdS	25

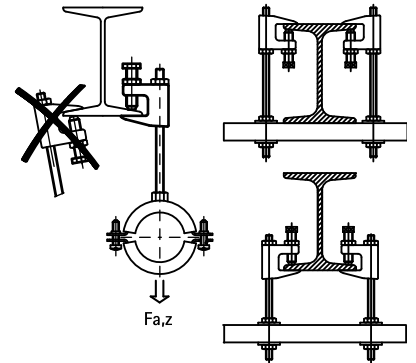
Tighten the set screw with hand and apply a further 1/2 turn with a spanner. Tighten counter nut with hand and apply a further 1/8 turn with a spanner. Certificates available on request.



Beam Clamp HFL2 11mm

for flange

(K 20 110)



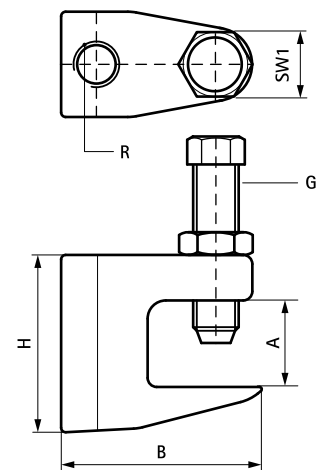
Features and benefits

- for a solid fixing to steel construction without the need for welding or drilling
- according to VdS-regulations an additional safety strap should be used when supporting pipes above DN65
- bolt with hexagon head according to DIN 933 strength class 8.8, screw point with cup ring according to EN ISO 4753 and lock nut
- material: beam clamp made of cast iron; bolt of hardened steel, nut of steel, zinc plated
- see also: BIS Safety Strap (page K 20 06)



Part No.	Code	A (mm)	R	G	B (mm)	H (mm)	SW1 (mm)	F _{a,z} (N)	FM	UL	VdS	Pack 1	App.
EP6003910	TKN10-D11	≤20	Ø 11 mm	M10	44	42	17	2,500	FM	UL	VdS	10	pc.

Tighten the set screw with hand and apply a further 1/2 turn with a spanner. Tighten counter nut with hand and apply a further 1/8 turn with a spanner. Certificates available on request.



BIS Swivel Beam Clamp Model P

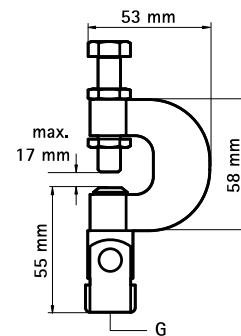
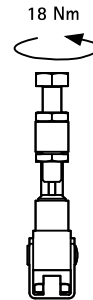
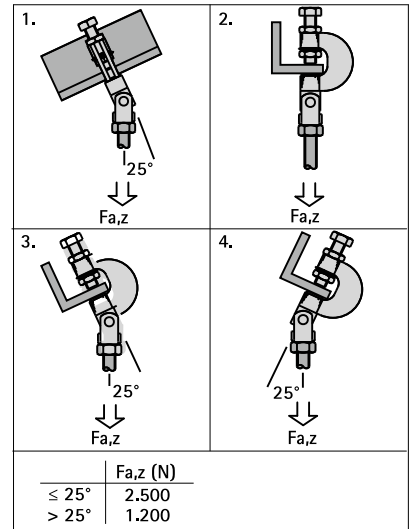
(K 20 30)

for flange up to 17 mm



Features and benefits

- multidirectional clamp
- for suspension on pitched flanges without welding or drilling
- up to flange thickness 17 mm
- according to VdS-regulations an additional safety strap should be used when supporting pipes above DN65
- articulation to 45° sideways, 90° forwards
- safety strap is obliged with VdS applications 1 and 4
- material: steel
- zinc plated
- with VdS-approval - certificate number G 4020003



Part No.	Code	A (mm)	G	FM	VdS	Pack 1
6078010	HFLS	≤17	M10	FM	VdS	25

FM and VdS Approval to 25° articulation.

BIS DobyGrip Loop

(K 65 05)

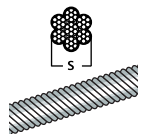


Features and benefits

- for a quick and easy fixing to roof and bearing beams, ridge beams, etc.
- reduces installation time compared to conventional methods
- wire suspension system for high loads
- all wires are supplied including BIS DobyGrip Lock
- material: 7x7 stranded galvanized steel wire rope
- strict quality inspection procedures and independent tests ensure reliability
- see also: BIS DobyGrip Info Page

Part No.	L	s (mm)	F _{a,z} (N)	Pack 1	Pack 2
09481101	1 m	1.0	100	10	500
09481102	2 m	1.0	100	10	250
09481103	3 m	1.0	100	10	250
09481105	5 m	1.0	100	10	100
09481201	1 m	2.0	500	10	250
09481202	2 m	2.0	500	10	100
09481203	3 m	2.0	500	10	100
09481205	5 m	2.0	500	10	100

Loads tested to a 5:1 safety factor. All ratings were determined by independent testing by Northumbria University and witnessed by Lloyds Register.



BIS DobyGrip

Catenary Wire System



Strong, simple and fast

- Ideal for static objects hung in high areas
- Lightweight for easy on site assembly
- No need for additional bracketry
- Strict quality inspection procedures and independent tests ensure reliability

Catenary Wire System for multiple applications



Dobygrip Infopage



Strong, simple and fast

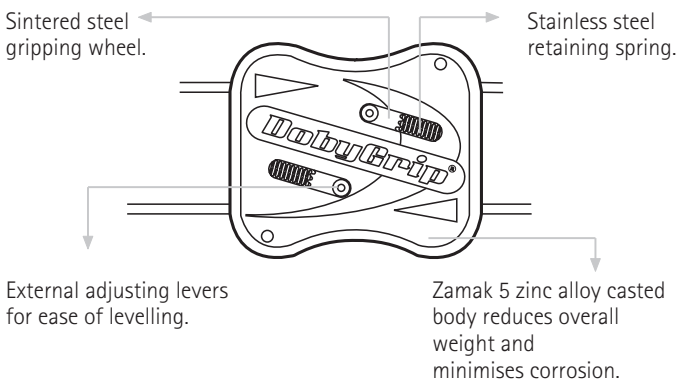
The BIS DobyGrip catenary wire system is the quick and efficient alternative to threaded rods and chains. You can install it up to 6x faster.

The system is ideal for static objects which need to be hung in high areas. For example cable channels, suspended ceilings, air ducts and light fittings.

Suitable for use in multiple applications and markets including HVAC, electrical, displays, lighting, signage and vineyards.

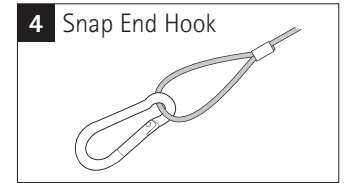
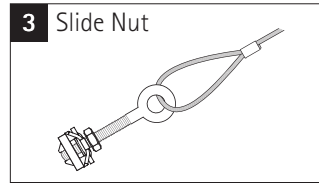
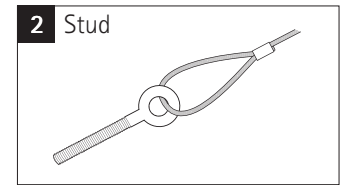
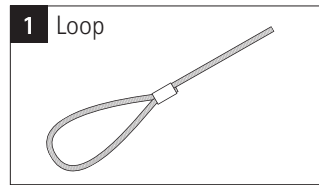
Easy to use

1. Pass cable tail through BIS DobyGrip in the direction of the arrow on casing.
2. Pass cable tail through suspension point of supported item, pull cable back through BIS DobyGrip. Height can be easily adjusted by using external cable release, infinitely adjustable.



Lightweight

Assembly and handling on site are much simpler. Reduces the need for working at height with unwieldy fixing materials.



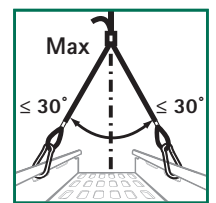
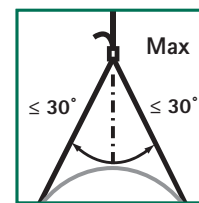
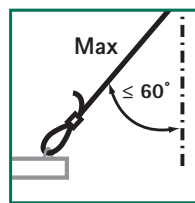
4 versions for 1001 purposes

The various versions make the system very flexible and widely applicable. Every type of BIS DobyGrip cable is available in various lengths. Reels of wire can also be supplied.

High safe working loads

The BIS DobyGrip cable is available in 2 different thicknesses and is suitable for both vertical and diagonal loads. Suspension with the BIS DobyGrip system is not only strong, but also reduces vibration.

s	Max. Fa,z (N)				
	0°	15°	30°	45°	60°
s = 1 mm	100	90	80	70	50
s = 2 mm	500	450	400	350	250



BIS DobyGrip Stud

(K 65 10)

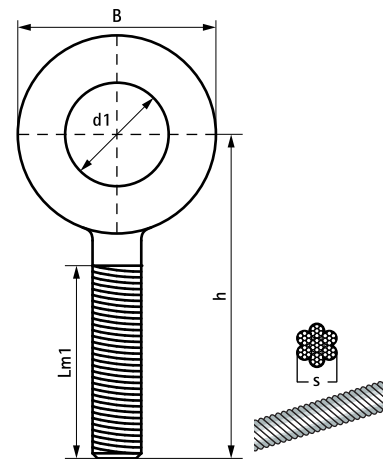


Features and benefits

- for a quick and easy fixing to ceilings by means of a wall plug/drop-in-anchor
- reduces installation time compared to conventional methods
- wire suspension system for high loads
- all wires are supplied including BIS DobyGrip Lock
- material: 7x7 stranded galvanized steel wire rope
- strict quality inspection procedures and independent tests ensure reliability
- see also: BIS DobyGrip Info Page

Part No.	G	L	B	h	s	d1	Lm1	F _{a,z}	Pack 1	Pack 2
			(mm)	(mm)	(mm)	(mm)	(mm)	(N)		
09482281	M8	1 m	25	74	2.0	Ø 13	56	500	10	250
09482282	M8	2 m	25	74	2.0	Ø 13	56	500	10	100
09482283	M8	3 m	25	74	2.0	Ø 13	56	500	10	100
09482285	M8	5 m	25	74	2.0	Ø 13	56	500	10	100

Loads tested to a 5:1 safety factor. All ratings were determined by independent testing by Northumbria University and witnessed by Lloyds Register.



BIS DobyGrip Snap End Hook

(K 65 20)

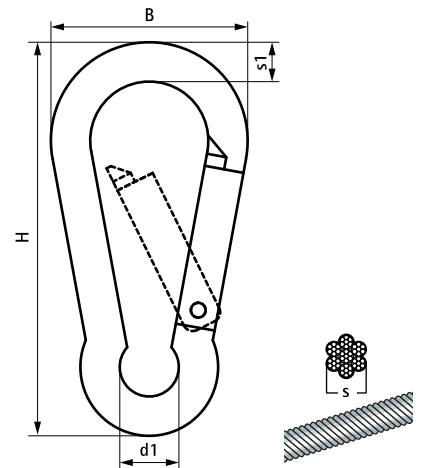


Features and benefits

- for a quick and easy fixing to hooks and suspension eyes
- reduces installation time compared to conventional methods
- wire suspension system for high loads
- all wires are supplied including BIS DobyGrip Lock
- material: 7x7 stranded galvanized steel wire rope
- strict quality inspection procedures and independent tests ensure reliability
- see also: BIS DobyGrip Info Page

Part No.	L	B	H	s	s1	d1	F _{a,z}	Pack 1	Pack 2
		(mm)	(mm)	(mm)	(mm)	(mm)	(N)		
09486201	1 m	30	60	2.0	6.0	9.0	500	10	250
09486202	2 m	30	60	2.0	6.0	9.0	500	10	100
09486203	3 m	30	60	2.0	6.0	9.0	500	10	100

Loads tested to a 5:1 safety factor. All ratings were determined by independent testing by Northumbria University and witnessed by Lloyds Register.



BIS DobyGrip Wire Reel

(K 65 25)



Features and benefits

- for a quick and easy fixing to various suspension points
- wire lengths can be self-determined
- wire suspension system for high loads
- material: 7x7 stranded galvanized steel wire rope
- strict quality inspection procedures and independent tests ensure reliability
- see also: BIS DobyGrip Info Page

Part No.	L	s (mm)	F _{a,z} (N)	Pack 1
09489115	150 m	1.0	100	8
09489215	150 m	2.0	500	2

Loads tested to a 5:1 safety factor. All ratings were determined by independent testing by Northumbria University and witnessed by Lloyds Register.

BIS DobyGrip Lock

(K 65 30)



Features and benefits

- reduces installation time compared to conventional methods
- wire suspension system for high loads
- Part No. 09489001: for use in combination with 1 mm diameter BIS DobyGrip wires
- Part No. 09489000: for universal use in combination with 1 mm as well as 2 mm diameter BIS DobyGrip wires
- Part No. 09489001: suitable for a maximum load of 10kg (1 mm wire diameter) with a 5:1 safety factor
- Part No. 09489000: suitable for a maximum load of 10kg (1 mm wire diameter) or 50kg (2 mm wire diameter) with a 5:1 safety factor
- simple height adjustment using external cable release, infinitely adjustable
- material: body of Zamak 5 zinc alloy; retaining spring of stainless steel (AISI 304); gripping wheel of sintered steel
- strict quality inspection procedures and independent tests ensure reliability
- see also: BIS DobyGrip Info Page

Part No.	L	B (mm)	F _{a,z} (N)	Pack 1	Pack 2	For (DobyGrip)
09489001	20 mm	16.5	100	50	1,000	1 mm
09489000	30 mm	25.0	500	20	500	2 mm

Loads tested to a 5:1 safety factor. All ratings were determined by independent testing by Northumbria University and witnessed by Lloyds Register.

BIS Wire Rope

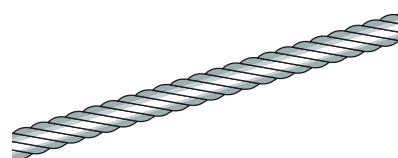
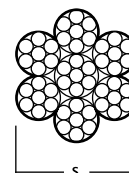
(K 65 35)



Features and benefits

- material: mild steel
- pre-galvanized
- packed per reel

Part No.	Code	L	s (mm)	F _{a,z} (N)	Pack 1
6390303	CAT3-30	30 m	3.0	1,900	1
6390305	CAT3-50	50 m	3.0	1,900	1
6390310	CAT3-100	100 m	3.0	1,900	1



BIS Rope Grip and Eyelet

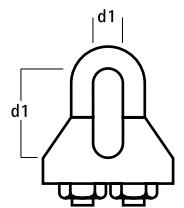
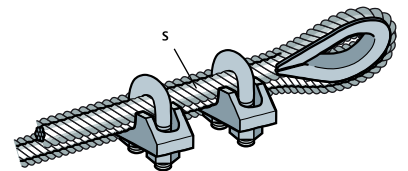
(K 65 40)



Features and benefits

- material: mild steel
- pre-galvanized

Part No.	Code	s (mm)	d1 (mm)	Pack 1
6392308	CAT3-RG	3.0	8.0 x 5.5	100



BIS Hook and Eye Rope Tensioner

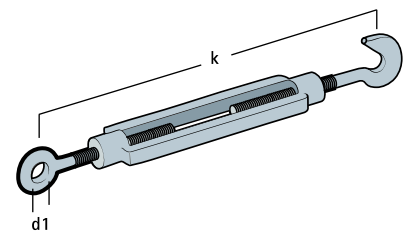
(K 65 45)



Features and benefits

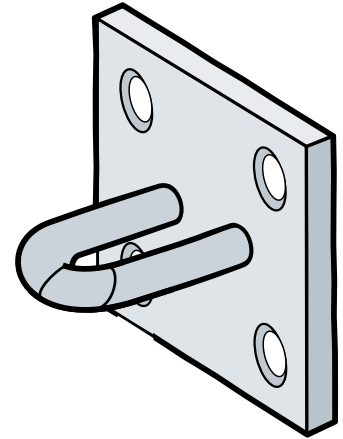
- material: mild steel
- pre-galvanized

Part No.	Code	d1 (mm)	k (mm)	Pack 1
6393210	CAT6-ST	10	175 - 255	10



BIS Anchor Ring

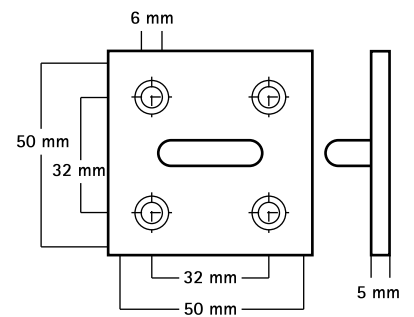
(K 65 50)



Features and benefits

- material: mild steel
- pre-galvanized

Part No.	Code	B (mm)	H (mm)	s (mm)	Pack 1
6393000	CAT50-RP	50	50	5.0	10



L BIS Fastenings



BIS Anchors
BIS HK

118

BIS HK

fixing to concrete, brick

(L 05 60)



Features and benefits

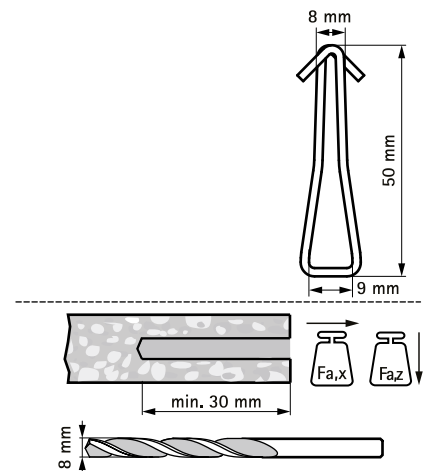
- for fixing of steel wire, suspension band or chain in concrete and solid stone
- for suspension of static loads such as air ducts, lowered ceilings, etc. to concrete
- also suitable for outside use
- drill 8 mm hole and hammer in HK wire anchor
- HK: for cables / BIS DobyGrip
- tested by CSTB
 - test report EPOD/06-05 (HK)
- material: stainless steel 1.4401 (AISI 316)
- better fire resistance than plastic plugs



HK: Report EPOD/-6-05

Part No.	Model	F _{a,z} (N)	F _{a,x} (N)	CSTB	Pack 1	Pack 2
61073134	HK, without cap	800	800	CSTB	200	1,200
61073224	HK, with cap	800	800	CSTB	100	600

Max. allowed load (Fa) in concrete (350 kg/m³), drill hole Ø 8 mm.
Safety margin 1:4.



Complementary

- 105 BIS DobyGrip Loop
- 109 BIS DobyGrip Snap End Hook
- 110 BIS DobyGrip Wire Reel

Index

Index	119
Part number Index (000 - EM5)	120
Part number Index (EM5 - 999)	121
Type Index	122
Alphabetical Index (Aaa - Lig)	123
Alphabetical Index (Loc - Zzz)	124
	125

Part number Index (000 – EM5)

0670961	***	6213208	72	EM50162516	16	EM51122520	28	EM53122517	34
0670965	***	6213406	72	EM50162520	16	EM51122613	28	EM53122518	33
09481101	105	6213408	72	EM50162530	16	EM51122620	28	EM53122618	33
09481102	105	6390303	112	EM50320004	14	EM51123207	28	EM53123217	34
09481103	105	6390305	112	EM50320009	14	EM51132007	26	EM53123218	33
09481105	105	6390310	112	EM50320016	14	EM51132013	26	EM53142518	31
09481201	105	6390410	112	EM50320020	14	EM51132020	26	EM53320017	36
09481202	105	6391312	113	EM50320030	14	EM51132507	26	EM53420617	35
09481203	105	6391412	113	EM50320109	11	EM51132513	26	EM53420717	30
09481205	105	6392308	113	EM50320116	11	EM51132520	26	EM53420817	35
09482261	108	6392412	113	EM50320120	11	EM51142013	27	EM53421017	35
09482262	108	6393000	115	EM50320204	11	EM51142020	27	EM53421117	30
09482263	108	6393010	***	EM50320209	11	EM51142513	27	EM53620817	***
09482265	108	6393210	114	EM50320216	11	EM51142520	27	EM53920017	32
09482281	108	6393312	114	EM50320220	11	EM51171213	29	EM54420800	47
09482282	108	6703006	101	EM50320230	11	EM51171513	29	EM54421000	47
09482283	108	6703008	101	EM50327504	21	EM51199013	23	EM55020008	43
09482285	108	6703009	101	EM50327509	21	EM51199020	23	EM55020012	43
09486201	109	6703010	101	EM50327516	21	EM51420607	24	EM55122408	45
09486202	109	6703016	101	EM50327520	21	EM51420613	24	EM55122412	45
09486203	109	EM50020004	9	EM50330004	12	EM51420620	24	EM55122508	45
09489000	111	EM50020009	9	EM50330009	12	EM51520607	25	EM55122512	45
09489001	111	EM50020016	9	EM50330016	12	EM51520613	25	EM55122608	45
09489115	110	EM50020020	9	EM50330020	12	EM51520620	25	EM55122612	45
09489215	110	EM50020030	9	EM50330030	12	EM52020020	39	EM55142508	44
59491016	97	EM50122404	18	EM50330109	10	EM52020604	38	EM55142512	44
59491624	97	EM50122409	18	EM50330116	10	EM52020607	38	EM55551222	92
6003006	102	EM50122416	18	EM50330120	10	EM52020612	39	EM55551228	92
6003008	102	EM50122420	18	EM50330204	10	EM52020704	38	EM55551822	91
6003010	102	EM50122430	18	EM50330209	10	EM52020707	38	EM55551828	91
6003012	102	EM50122504	18	EM50330216	10	EM52020712	39	EM55920008	46
6003016	102	EM50122509	18	EM50330220	10	EM52020806	***	EM55920012	46
6003208	102	EM50122516	18	EM50330230	10	EM52020904	38	EM55922008	42
6003310	102	EM50122520	18	EM50420604	22	EM52020907	38	EM55922510	42
6003905	102	EM50122530	18	EM50420609	22	EM52020912	39	EM55923210	42
6003908	102	EM50122604	18	EM50420616	22	EM52021104	38	EM56020001	56
6003910	102	EM50122609	18	EM50420620	22	EM52021107	38	EM56020002	55
6003912	102	EM50122616	18	EM50420804	22	EM52021112	39	EM56020725	54
6003996	94	EM50122620	18	EM50420809	22	EM52021404	38	EM56021090	57
6078008	104	EM50122630	18	EM50420816	22	EM52021407	38	EM56021095	57
6078010	104	EM50123209	18	EM50420820	22	EM52021412	39	EM56021096	57
6079000	***	EM50123216	18	EM50421004	22	EM52021609	41	EM56090025	53
6079115	***	EM50123220	18	EM50421009	22	EM52021804	38	EM56520627	52
6079120	***	EM50142009	17	EM50421016	22	EM52021807	38	EM56520907	51
6079220	***	EM50142016	17	EM50425609	20	EM52021812	39	EM56521603	50
6079230	***	EM50142020	17	EM50425616	20	EM52022009	41	EM56521604	50
6079240	***	EM50142030	17	EM50520604	19	EM52022404	38	EM56521607	51
61073134	118	EM50142509	17	EM50520609	19	EM52022407	38	EM56522507	51
61073224	118	EM50142516	17	EM50520616	19	EM52022412	39	EM56525104	50
6213006	72	EM50142520	17	EM50520620	19	EM52023004	38	EM57020005	65
6213008	72	EM50142530	17	EM50520630	19	EM52023007	38	EM57020007	65
6213010	72	EM50162009	16	EM51122407	28	EM52023012	39	EM57020015	63
6213106	72	EM50162016	16	EM51122413	28	EM52323412	40	EM57020025	62
6213108	72	EM50162020	16	EM51122420	28	EM52323425	40	EM57020103	59
6213110	72	EM50162030	16	EM51122507	28	EM53122417	34	EM57020105	60
6213206	72	EM50162509	16	EM51122513	28	EM53122418	33	EM57020605	***

Part number Index (EM5 - 999)

EM57182505	69	EM59142500	87	NE03TH000	100
EM57320005	66	EM59142525	88	NE04TH000	100
EM57320015	***	EM59161200	90	NE05TH000	100
EM57321405	66	EM59161500	90	NE06TH000	100
EM57420605	67	EM59162500	90		
EM57420607	67	EM59320000	***		
EM57420615	64	EM59420600	81		
EM57420803	61	EM59420601	83		
EM57420805	67	EM59420800	81		
EM57420807	67	EM59420801	83		
EM57420815	64	EM59420803	84		
EM57421003	61	EM59421000	81		
EM57421005	67	EM59421001	83		
EM57421007	67	EM59421003	84		
EM57421015	64	EM59620800	85		
EM57421105	67	EP50020004	9		
EM57430603	61	EP50020009	9		
EM57430605	71	EP50020016	9		
EM57430805	71	EP50020020	9		
EM57431005	71	EP52020020	39		
EM57431185	68	EP52020704	38		
EM57620805	70	EP52020707	38		
EM57800025	86	EP52020712	39		
EM57950068	***	EP52020904	38		
EM58122519	***	EP52020907	38		
EM58220000	76	EP52020912	39		
EM58220001	75	EP52021104	38		
EM58220002	75	EP52021107	38		
EM58221216	74	EP52021112	39		
EM58221222	74	EP52021404	38		
EM58225000	95	EP52021407	38		
EM58420619	73	EP52021412	39		
EM58420819	73	EP52021804	38		
EM58421019	73	EP52021807	38		
EM58991008	49	EP52021812	39		
EM58991010	49	EP52022404	38		
EM58992006	48	EP52022407	38		
EM58992008	48	EP52022412	39		
EM58992010	48	EP52023004	38		
EM58993006	77	EP52023007	38		
EM58993010	77	EP52023012	39		
EM59020000	82	EP52323412	40		
EM59020001	82	EP52323425	40		
EM59020003	***	EP53420717	30		
EM59020007	93	EP55922008	42		
EM59030000	78	EP55922510	42		
EM59030600	79	EP56521604	50		
EM59121700	80	EP57020005	65		
EM59122400	80	EP57020007	65		
EM59122500	80	EP57420605	67		
EM59122525	89	EP57420805	67		
EM59122626	89	EP57421005	67		
EM59122632	89	EP57431185	68		
EM59142000	87	EP59030000	78		
EM59142020	88	NE01TH000	100		
EM59142025	88	NE02TH000	100		

Type Index

6		HOL-L	***	V	
600	102	HOL-LC	75	VF	65,***
670	101	HOL-SC	75	VFCL	69
A		HP	29	VFCT	66
ABC	56	HPC1	62	VF-MT	67
ABCS	55	HPC2	63	VF-P	67
ABCT	57	HPCCT	***	VF-TR	70
AC	50	HPC-MT	64	W	
B		HPC-P	64	WNH	72
BC	9, 20	HSC	78	Z	
BCC	16, 17	HSB	53, 54	ZHD2	68
BCCT	10, 12	HW	72	ZP	59
BCCT-R	11, 14	L		ZP3	60
BC-MSH	19	LAW	49	ZP3-MT	71
BLCC	18	LMW	48		
BR	79	LTR	77		
C		M			
CC	87, 88	MC	30		
CG	41	MCCT	36		
CH	31	MC-CTB	32		
CHL	33	MF	86		
CHL-V	34	MRH-MT	35		
CR	38, 39	MRH-P	35		
CRCT	40	MTRH	***		
CTB	***	O			
D		OAC25	51		
DCC	95	P			
G		P	90		
GCC	91	PF	21		
H		R			
H	24, 25	RHA	82		
HCB	93	RHA-MT	83		
H-DCC	23	RHA-P	83		
HDC-MT	47	RHA-TRH	85		
HDC-P	47	RH-MT	22, 81		
HH1	***	RH-P	22, 81		
HH101	***	RHS	***		
HH103	***	RHS-MT	84		
HK	118	RHS-P	84		
HLCC	80, 89	S			
HLKC	***	SC	42		
HM	28	SOCC	***		
HMW	72	U			
HN	28	UC	43		
HO	28	UCC	44		
HOL1	76	UC-CTB	46		
HOL2	74	ULCC	45		
HOL3-MT	73				
HOL3-P	73				

Alphabetical Index (Aaa - Lig)

A			
Anchor Ring	115		
Angled Profile Clips, Britclips®	60, 71		
B			
Base Plates 670, zp	101		
BC500	9		
Beam Clamps Model C	102		
Beam Clips, Britclips®	9, 10, 11		
	12, 14, 16		
	17, 18, 19		
	22, 23		
Bridle Ring, Britclips®	79		
Britclips® Angled Profile Clips	60, 71		
Britclips® Beam Clips	9, 10, 11		
	12, 14, 16		
	17, 18, 19		
	22, 23		
Britclips® Bridle Ring	79		
Britclips® Cable Run Clips	38, 39, 40		
Britclips® Cable Tie Saddle	***		
Britclips® Ceiling Bracket	93		
Britclips® Channel Clamps	91		
Britclips® Conduit Clamps	92		
Britclips® Conduit Mount	88, 89		
Britclips® Deck Hangers	47, 48, 49		
	77		
Britclips® Double Cable Clip	95		
Britclips® Dovetail Cable Hangers	74, 75, 76		
Britclips® Flange Clips	65, ***, 69		
	70		
Britclips® Heavy Duty Bracket Systems	***, ***, ***		
Britclips® Heavy Duty Threaded Clamp	94		
Britclips® Light Duty Cable Tray Support Bracket	***		
Britclips® Light Duty Rod Hangers	20		
Britclips® Locking Conduit Clips	80		
Britclips® Master Clamps	30, 31, 32		
	33, 34, 35		
	***, 36		
Britclips® Metal Framing Conduit Clip	86		
Britclips® Pipe Clips	90		
Britclips® Purlin Clips	62, 63, 64		

Britclips® Push Fasteners	21		
Britclips® Right Angle Brackets	82		
Britclips® Side Mounted Beam Clips	27		
Britclips® Sign Hangers	53, 54		
Britclips® Slide-on Cable Clips	***, 41		
Britclips® Snap-in Conduit Clip	87		
Britclips® Straight Shank Bracket	***		
Britclips® Support Clips	42		
Britclips® Suspension Clips	73, ***, 78		
Britclips® T Bar Angle Brackets	56, 57		
Britclips® T Bar Clips	52		
Britclips® T Bar Straight Bracket	55		
Britclips® T Bar Twist On Clips	50, 51		
Britclips® Threaded Rod Hangers	67, 81, 83		
	84, 85		
Britclips® Universal Beam Clips	24, 25, 26		
	28		
Britclips® Universal Pipe Clips	29		
Britclips® Utility Clips	43, 44, 45		
	46		
Britclips® Vertical Flange Cable Saddles	66		
Britclips® Wedge Nuts	72		
Britclips® Z Purlin Clamp	68		
Britclips® Z Purlin Fixings	59, 61		
C			
Cable Run Clips, Britclips®	38, 39, 40		
Cable Tie Saddle, Britclips®	***		
C-Beam Clamps	102		
Ceiling Bracket, Britclips®	93		
Channel Clamps, Britclips®	91		
Conduit Clamps, Britclips®	92		
Conduit fixings	97		
Conduit Mount, Britclips®	88, 89		
D			
Deck Hangers, Britclips®	47, 48, 49		
	77		
DobyGrip Lock	111		
DobyGrip Loop	105		
DobyGrip Snap End Hook	109		
DobyGrip Stud	108		
DobyGrip Wire Reel	110		
Double Cable Clip, Britclips®	95		
Dovetail Cable Hangers, Britclips®	74, 75, 76		
E			
Electrical box fixings	97		
Eye Bolt Assemblies	***		
F			
Fixing Plates	101		
Flange Clips, Britclips®	65, ***, 69		
	70		
G			
Girder Cleats	102		
H			
Heavy Duty Bracket Systems, Britclips®	***, ***, ***		
Heavy Duty Threaded Clamp, Britclips®	94		
Hook and Eye Rope Tensioners	114		
L			
Light Duty Cable Tray Support Bracket, Britclips®	***		
Light Duty Rod Hangers, Britclips®	20		

Alphabetical Index (Loc - Zzz)

Locking Conduit Clips, Britclips®	80	Wire Anchors HK / HKS	118
		Wire Ropes	112
M		Z	
Master Clamps, Britclips®	30, 31, 32 33, 34, 35 ***, 36	Z Purlin Clamp, Britclips®	68
Metal Framing Conduit Clip, Britclips®	86	Z Purlin Fixings, Britclips®	59, 61
P			
Pipe Clips, Britclips®	90		
Profile Clamps	102, 104		
Purlin Clips, Britclips®	62, 63, 64 ***		
Push Fasteners, Britclips®	21		
R			
Rapid Sliding Wall Bracket	97		
Right Angle Brackets, Britclips®	82		
Rope Grips and Eyelets	113		
S			
Side Mounted Beam Clips, Britclips®	27		
Sign Hangers, Britclips®	53, 54		
Slide-on Cable Clips, Britclips®	***, 41		
Snap-in Conduit Clip, Britclips®	87		
Spring Hook	***		
Straight Shank Bracket, Britclips®	***		
Support Clips, Britclips®	42		
Suspension Clips, Britclips®	73, ***, 78		
Swivel Beam Clamps Model P	104		
T			
T Bar Angle Brackets, Britclips®	56, 57		
T Bar Clips, Britclips®	52		
T Bar Straight Bracket, Britclips®	55		
T Bar Twist On Clips, Britclips®	50, 51		
Telescopic Screw Gun Bracket	97		
Threaded Rod Hangers, Britclips®	67, 81, 83 84, 85		
Top Hat Brackets	100		
U			
Universal Beam Clips, Britclips®	24, 25, 26 28		
Universal Pipe Clips, Britclips®	29		
Utility Clips, Britclips®	43, 44, 45 46		
V			
Vertical Flange Cable Saddles, Britclips®	66		
W			
Wall Plates, zp	101		
Wedge Nuts, Britclips®	72		

J. van Walraven Holding B.V. declares that research was done into the applicability of CE-marking for all Walraven pipe support products. Research showed that, at present, no CE-marking following the Construction Products Directive (89/106/EEC) is applicable for these products.

The quality and/or surface treatment of any adjoining components, as well as climate conditions, may alter the performance or corrosion resistance of Walraven products. If required, please consult us for more information before use. Our company cannot be held responsible for any loss or damage caused by non-compliance, or by any non authorised modification to the product.

Furthermore, J. van Walraven Holding B.V. declares that as soon as any legal obligation following the Construction Products Directive will be applicable to one or more of Walraven's pipe support products, J. van Walraven Holding B.V. will comply with all legal obligations.

United Kingdom
Ireland

Walraven Ltd.

18 Wildmere Road
Banbury (GB)
Oxon, OX16 3JU
Tel. +44 1295 75 34 00
sales.uk@walraven.com

Walraven Group

Mijdrecht (NL) · Tienen (BE) · Bayreuth (DE)
Banbury (GB) · Malmö (SE) · Grenoble (FR)
Barcelona (ES) · Milan (IT) · Kraków (PL)
Mladá Boleslav (CZ) · Kyiv (UA)
Danville (US) · Shanghai (CN) · Dubai (AE)
Budapest (HU) · Mumbai (IN) · Singapore (SG)
Burlington (CA) · Athens (GR)

