

New and improved!



## Bifix<sup>®</sup> G2 clamps

Premium pipe clamps, for in- and outdoor use



Bifix® G2 lined

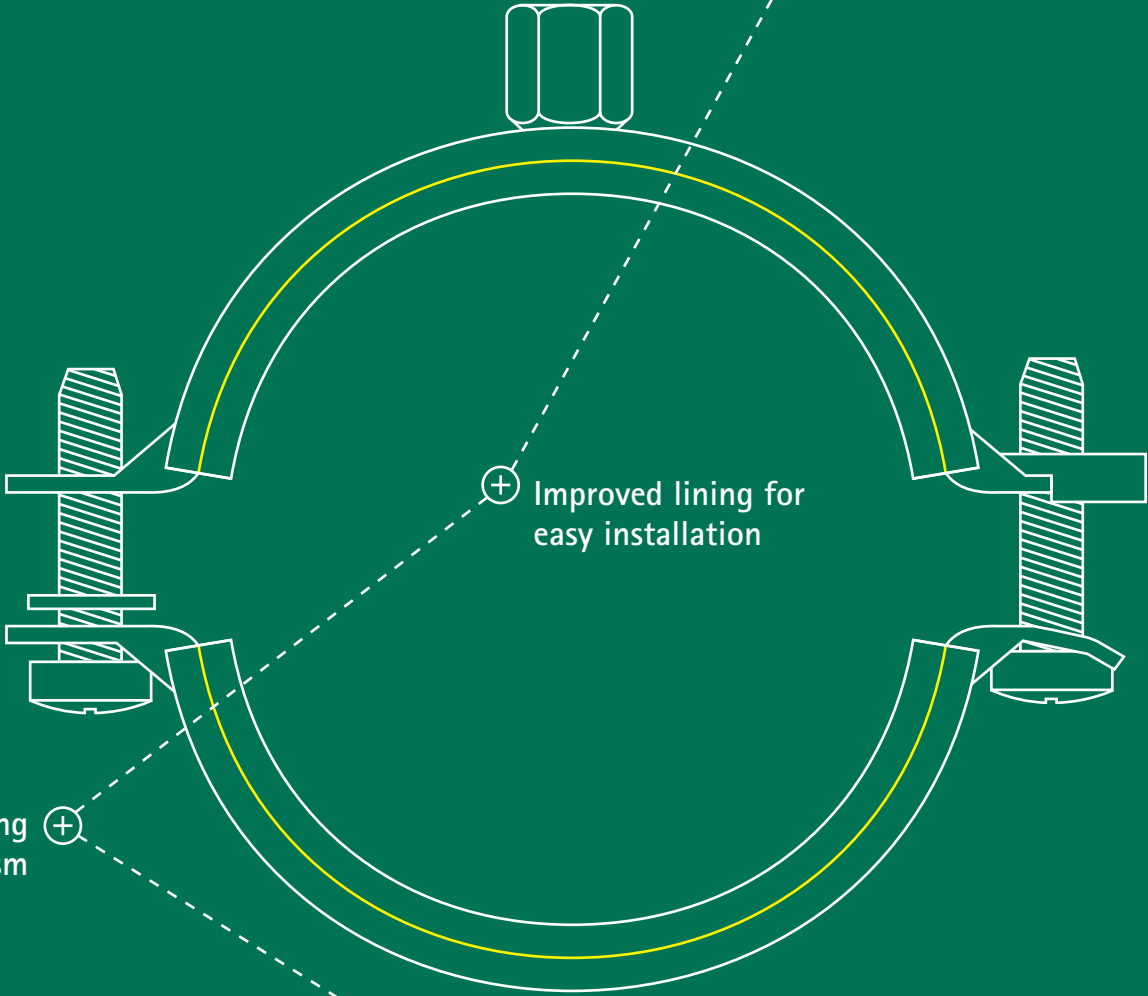


⊕ Suitable for in- and outdoor use

⊕ Improved lining for easy installation

⊕ Quick closing mechanism

⊕ Safe load according to RAL GZ-655 and RAL GZ-656



# Bifix® G2 lined

For uninsulated pipes

## Product information

Bifix® G2 offers a unique and premium line of clamps covering all types of pipe fixing solutions, both in- and outdoors. The optimised range includes lined clamps for steel, copper and multilayer pipes, Ø 10 - 225 mm. The new 2 component EPDM lining improves the product's ease of installation as well as the noise reduction properties (DIN 4109). Strength wise the Bifix® G2 holds medium to high loads, in accordance with both RAL GZ-655 and RAL GZ-656 under fire conditions.



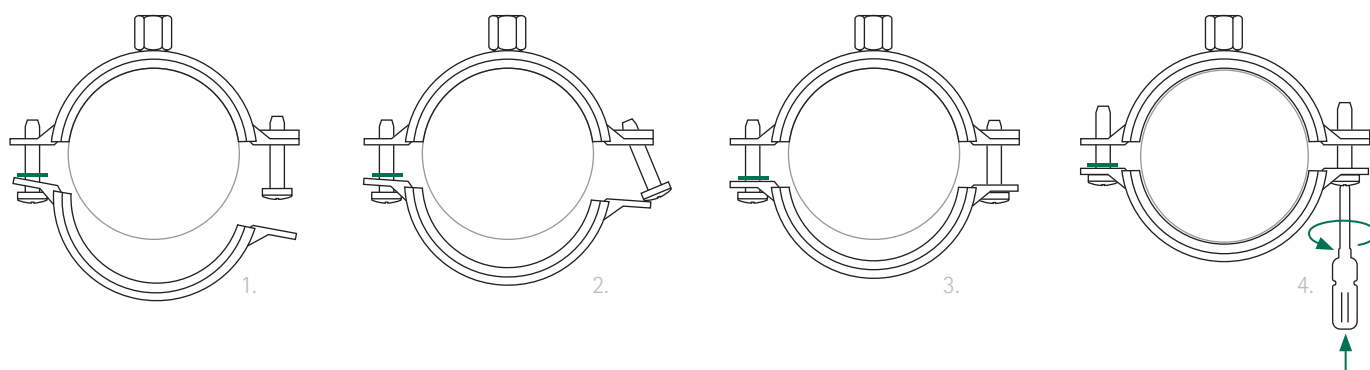
## Features and benefits

- Two-screw clamp
- For uninsulated pipes
- Optimised range Ø 10 - 225 mm
- Material: Steel
- Surface treatment: BIS UltraProtect® 1000
- Lining: 2 component EPDM
- Improved lining for easy installation
- Quick closing mechanism
- Good strength vs material usage
- Medium-High safe load according RAL GZ-655 and RAL GZ-656
- Noise reduction according DIN 4109

## Type of pipe

- Steel, copper, cast iron
- Multilayer pipes

## Quick closing mechanism



## 2 component EPDM lining

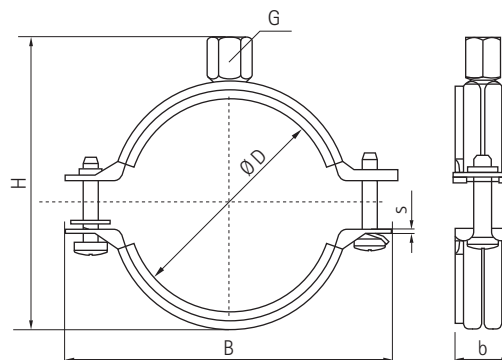


*For faster and easier installation*



# Bifix® G2 lined

For uninsulated pipes



## Technical data

Part No.	D (mm)	D (")	DN	G	B (mm)	H (mm)	b x s (mm)	Fa,z (N)	Box qty (pcs)
31185014	10 - 14	1/4	8	M8	59	34	20 x 1.25	700	50
31185019	15 - 19	3/8	10	M8	63	38	20 x 1.25	700	50
31185023	20 - 23	1/2	15	M8	68	43	20 x 1.25	700	50
31185028	25 - 28	3/4	20	M8	74	49	20 x 1.25	700	50
31185035	31 - 35	1	25	M8	80	55	20 x 1.25	700	50
31185039	36 - 39	-	-	M8	84	59	20 x 1.25	700	50
31185045	40 - 45	1 1/4	32	M8	91	66	20 x 1.25	700	50
31185052	48 - 52	1 1/2	40	M8	97	72	20 x 1.25	700	50
31185058	54 - 58	-	-	M8	104	79	20 x 1.25	700	50
31185064	60 - 64	2	50	M8	109	84	20 x 1.25	700	50
31185070	66 - 70	-	-	M8	118	92	20 x 1.50	800	50
31185079	75 - 79	2 1/2	65	M8	125	100	20 x 1.50	800	50
31185083	80 - 83	-	-	M8	131	106	20 x 1.50	800	50
31085014	10 - 14	1/4	8	M8/10	59	42	20 x 1.25	700	50
31085019	15 - 19	3/8	10	M8/10	63	46	20 x 1.25	700	50
31085023	20 - 23	1/2	15	M8/10	68	51	20 x 1.25	700	50
31085028	25 - 28	3/4	20	M8/10	74	57	20 x 1.25	700	50
31085035	31 - 35	1	25	M8/10	80	63	20 x 1.25	700	50
31085039	36 - 39	-	-	M8/10	84	67	20 x 1.25	700	50
31085045	40 - 45	1 1/4	32	M8/10	91	74	20 x 1.25	700	50
31085052	48 - 52	1 1/2	40	M8/10	97	80	20 x 1.25	700	50
31085058	54 - 58	-	-	M8/10	104	87	20 x 1.25	700	50
31085064	60 - 64	2	50	M8/10	109	92	20 x 1.25	700	50
31085070	66 - 70	-	-	M8/10	118	100	20 x 1.50	800	50
31085079	75 - 79	2 1/2	65	M8/10	125	108	20 x 1.50	800	50
31085083	80 - 83	-	-	M8/10	131	114	20 x 1.50	800	25
31085091	88 - 91	3	80	M8/10	142	123	23 x 2.00	1,700	25
31085105	100 - 105	-	-	M8/10	155	137	23 x 2.00	1,700	25
31085115	108 - 115	4	100	M8/10	163	145	23 x 2.00	1,700	25
31085130	125 - 130	-	-	M8/10	180	162	23 x 2.00	1,700	25
31085140	133 - 140	5	125	M8/10	189	171	23 x 2.00	1,700	25
31085160	152 - 160	-	-	M8/10	208	190	23 x 2.00	1,700	25
31085169	165 - 169	6	150	M8/10	225	203	25 x 2.50	2,000	10

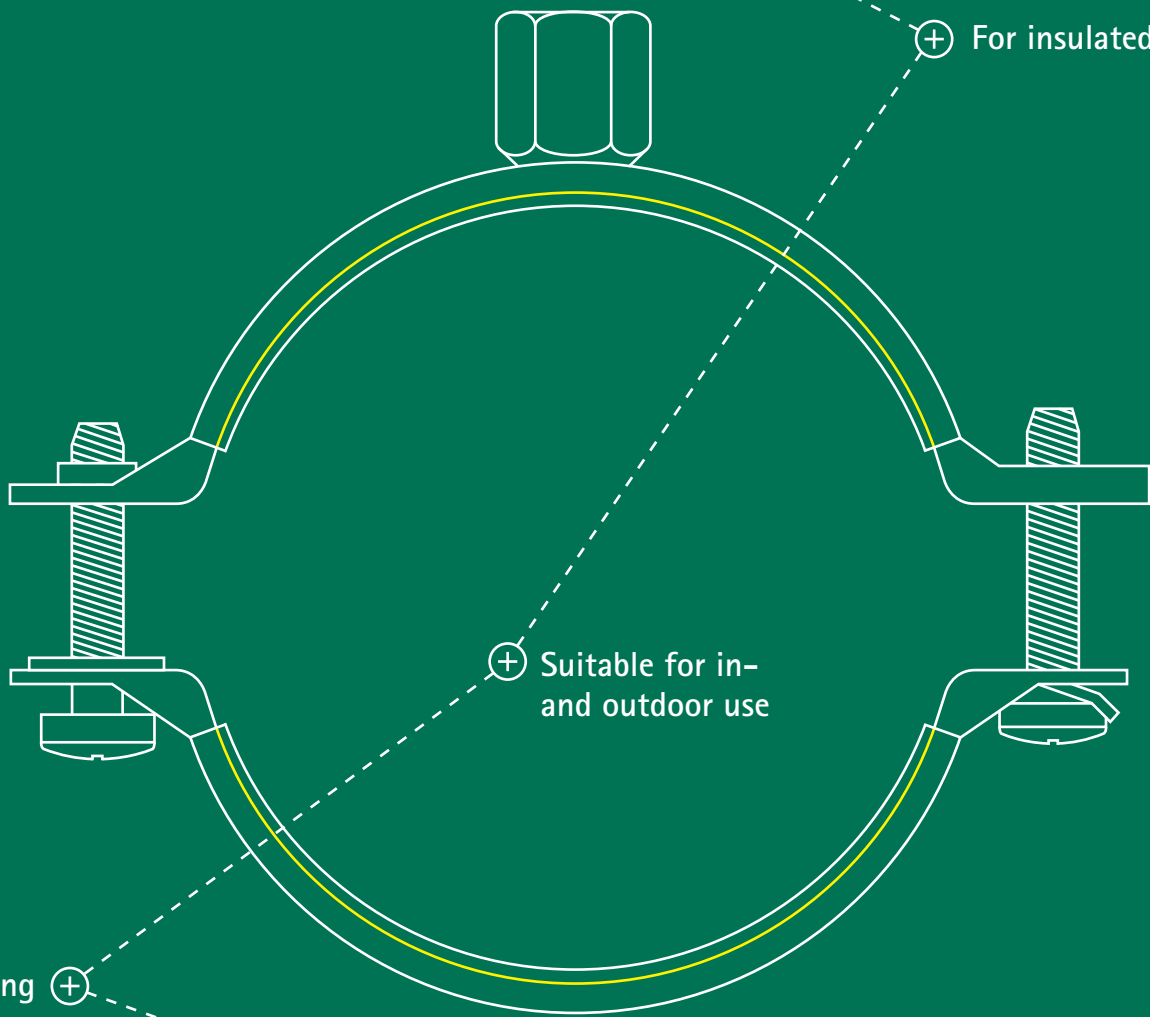
# Bifix® G2 lined

For uninsulated pipes

## Technical data

Part No.	D (mm)	D (")	DN	G	B (mm)	H (mm)	b x s (mm)	Fa,z (N)	Box qty (pcs)
31285014	10 - 14	1/4	8	M10	59	34	20 x 1.25	800	50
31285019	15 - 19	3/8	10	M10	63	38	20 x 1.25	800	50
31285023	20 - 23	1/2	15	M10	68	43	20 x 1.25	800	50
31285028	25 - 28	3/4	20	M10	74	49	20 x 1.25	800	50
31285035	31 - 35	1	25	M10	80	55	20 x 1.25	800	50
31285039	36 - 39	-	-	M10	84	59	20 x 1.25	800	50
31285045	40 - 45	1 1/4	32	M10	91	66	20 x 1.25	800	50
31285052	48 - 52	1 1/2	40	M10	97	72	20 x 1.25	800	50
31285058	54 - 58	-	-	M10	104	79	20 x 1.25	800	50
31285064	60 - 64	2	50	M10	109	84	20 x 1.25	800	50
31285070	66 - 70	-	-	M10	118	92	20 x 1.50	1,000	50
31285079	75 - 79	2 1/2	65	M10	125	100	20 x 1.50	1,000	50
31285083	80 - 83	-	-	M10	131	106	20 x 1.50	1,000	50
31285091	88 - 91	3	80	M10	142	115	23 x 2.00	1,800	25
31285097	92 - 98	-	-	M10	147	123	23 x 2.00	1,800	25
31285105	100 - 105	-	-	M10	155	129	23 x 2.00	1,800	25
31285115	108 - 115	4	100	M10	163	137	23 x 2.00	1,800	25
31285130	125 - 130	-	-	M10	180	154	23 x 2.00	1,800	25
31285140	133 - 140	5	125	M10	189	163	23 x 2.00	1,800	25
31285160	152 - 160	-	-	M10	208	182	23 x 2.00	1,800	25
31285169	165 - 169	6	150	M10	225	195	25 x 2.50	2,500	10
31285180	176 - 180	-	-	M10	238	201	25 x 2.50	2,500	15
31285200	192 - 200	-	-	M10	257	230	25 x 2.50	2,500	15
31285210	205 - 210	-	-	M10	269	241	25 x 2.50	2,500	10
31285225	219 - 225	8	200	M10	283	257	25 x 2.50	2,500	10

Bifix® G2 unlined



⊕ For insulated pipes

⊕ Suitable for in-  
and outdoor use

⊕ Quick closing  
mechanism

⊕ Safe load according to  
RAL GZ-655 and RAL GZ-656

# Bifix® G2 unlined

For insulated pipes

## Product information

Bifix® G2 offers a unique and premium line of clamps covering all types of pipe fixing solutions, both in- and outdoors. The optimised range includes unlined clamps for insulated steel and copper pipes, Ø 10 - 225 mm. Strength wise the Bifix® G2 holds medium to high loads, in accordance with both RAL GZ-655 and RAL GZ-656 under fire conditions.



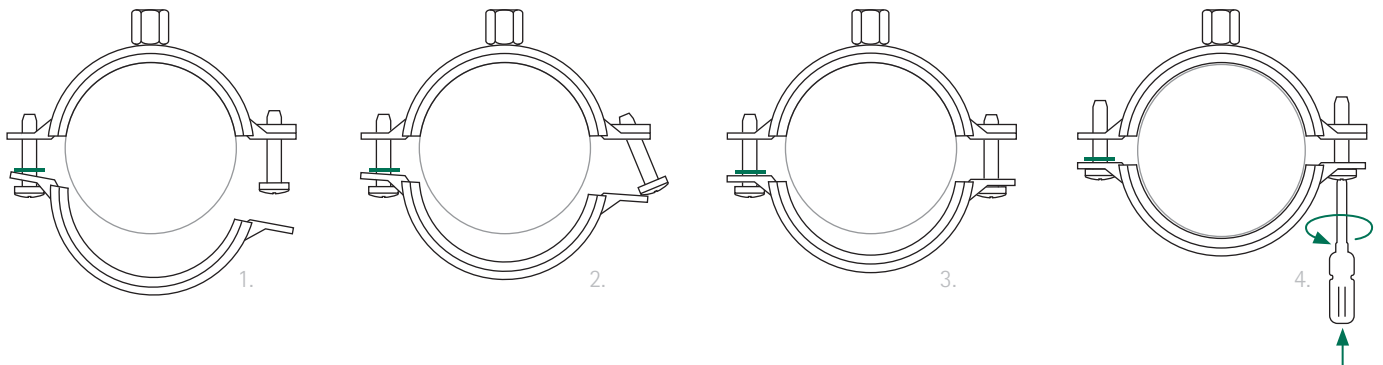
## Features and benefits

- Two-screw clamp
- For insulated pipes
- Optimised range Ø 10 - 225 mm
- Material: Steel
- Surface treatment: BIS UltraProtect® 1000
- Quick closing mechanism
- Good strength vs material usage
- Medium-High safe load according RAL GZ-655 and RAL GZ-656

## Type of pipe

- Steel
- Copper

## Quick closing mechanism



## Pipe insulation

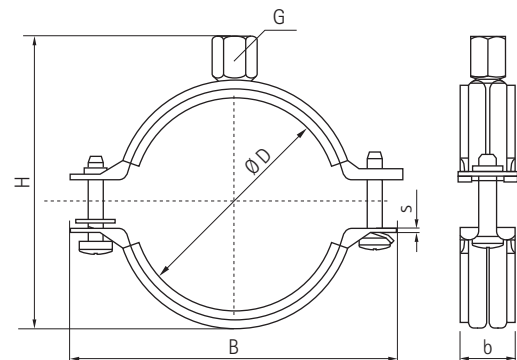


*Ideal used in combination with pipe insulation*



# Bifix® G2 unlined

For insulated pipes



## Technical data

Part No.	D (mm)	D (")	DN	G	B (mm)	H (mm)	b x s (mm)	Fa,z (N)	Box qty (pcs)
3008014	10 - 14	1/4	8	M8/10	52	35	20 x 1.25	1,200	50
3008019	15 - 19	3/8	10	M8/10	59	42	20 x 1.25	1,200	50
3008023	20 - 23	1/2	15	M8/10	63	46	20 x 1.25	1,200	50
3008028	25 - 28	3/4	20	M8/10	68	51	20 x 1.25	1,200	50
3008035	31 - 35	1	25	M8/10	74	57	20 x 1.25	1,200	50
3008039	36 - 39	-	-	M8/10	80	63	20 x 1.25	1,200	50
3008045	40 - 45	1 1/4	32	M8/10	84	67	20 x 1.25	1,200	50
3008052	48 - 52	1 1/2	40	M8/10	91	74	20 x 1.25	1,200	50
3008058	54 - 58	-	-	M8/10	97	80	20 x 1.25	1,200	50
3008064	60 - 64	2	50	M8/10	104	87	20 x 1.25	1,200	50
3008070	66 - 70	-	-	M8/10	110	92	20 x 1.50	1,300	50
3008079	75 - 79	2 1/2	65	M8/10	118	100	20 x 1.50	1,300	50
3008083	80 - 83	-	-	M8/10	125	108	20 x 1.50	1,300	50
3008091	88 - 91	3	80	M8/10	133	114	23 x 2.00	1,800	50
3008105	100 - 105	-	-	M8/10	147	123	23 x 2.00	1,800	50
3008115	108 - 115	4	100	M8/10	155	137	23 x 2.00	1,800	25
3008130	125 - 130	-	-	M8/10	172	145	23 x 2.00	1,800	25
3008140	133 - 140	5	125	M8/10	180	162	23 x 2.00	1,800	25
3008160	152 - 160	-	-	M8/10	201	171	23 x 2.00	1,800	25
3008169	165 - 169	6	150	M8/10	217	190	25 x 2.50	3,600	25
3008180	176 - 180	-	-	M8/10	229	203	25 x 2.50	3,600	15
3008200	192 - 200	-	-	M8/10	248	209	25 x 2.50	3,600	15
3008210	205 - 210	-	-	M8/10	261	238	25 x 2.50	3,600	15
3008225	219 - 225	8	200	M8/10	275	249	25 x 2.50	3,600	15





Small  
CHANGES CAN MAKE  
**A BIG**  
DIFFERENCE.

# BIS UltraProtect® 1000

All of our Bifix® G2 clamps are coated with our advanced surface protection system – BIS UltraProtect® 1000 – to prevent corrosion.

## Optimal protection

- All applied surface treatments effortlessly withstand a salt spray test of at least 1000 hours\*
- Suitable for corrosive environments (C1–C4 in accordance with ISO 12944-2)



## Better than Hot Dip Galvanizing

- Higher corrosion resistance: 1000 hours\* versus 300 - 600 hours (with a layer thickness of 50 - 80 µm)
- Threaded products are also well protected
- Products feel smooth and are also visually appealing



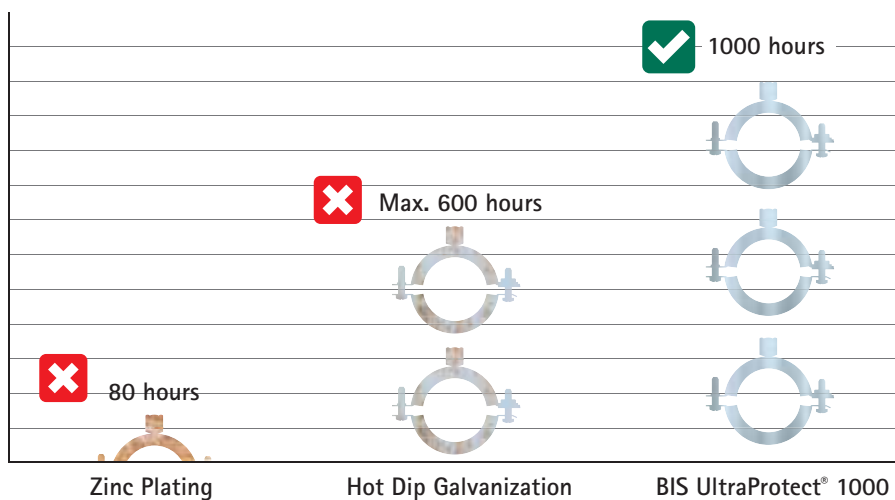
## Complementary system


- The products in the BIS UltraProtect® 1000 system combine together perfectly
- Can also work with zinc plated, pre-galvanized or hot dip galvanized products



\* Until the occurrence of maximum 5% red rust.

## The proof after 1000 hours salt spray test





## Corrosion resistance

- C1 - C4 / ISO 12944-2

## Salt spray test

- 1000 hours / ISO 9227

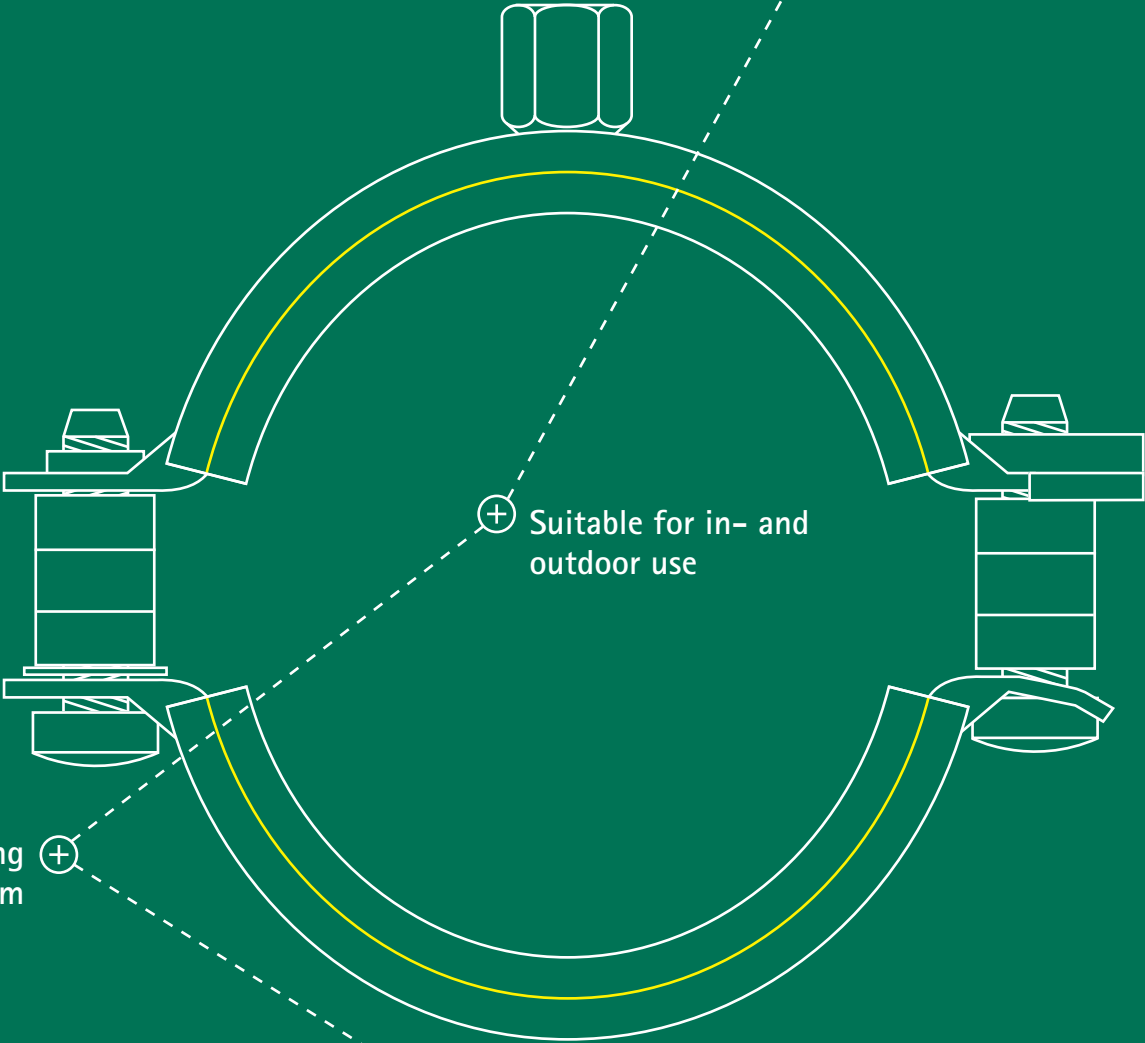
## Complementary system

- Easily combined with other products

Bifix® 5000 G2



+ For all types of plastic pipes



+ Suitable for in- and outdoor use

+ Quick closing mechanism

+ Removable spacer washers for sliding or anchoring

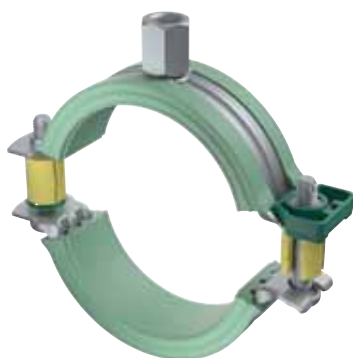
# Bifix® 5000 G2

For uninsulated plastic pipes

## Product information

Bifix® 5000 G2 offers a unique and premium line of clamps covering all types of plastic pipe fixing solutions, both indoors and outdoors, Ø 16 - 200 mm.

The product is specifically designed for PE pipes, and provides in both fixing and sliding to handle the pipe expansion.



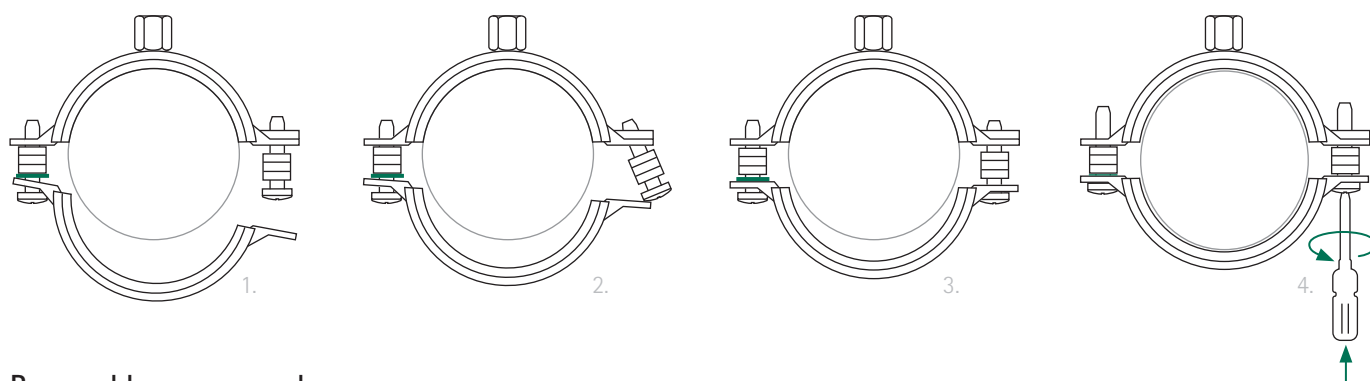
## Features and benefits

- Two-screw clamp
- For uninsulated pipes
- Optimised range Ø 16 - 200 mm
- Material: Steel
- Surface treatment: BIS UltraProtect® 1000
- Lining: EPDM
- Quick closing mechanism
- With removable spacer washers for either sliding or anchoring
- Good strength vs material usage
- Medium-High safe load according RAL GZ-655 and RAL GZ-656
- Noise reduction according DIN 4109

## Type of pipe

- Plastic (all)

## Quick closing mechanism



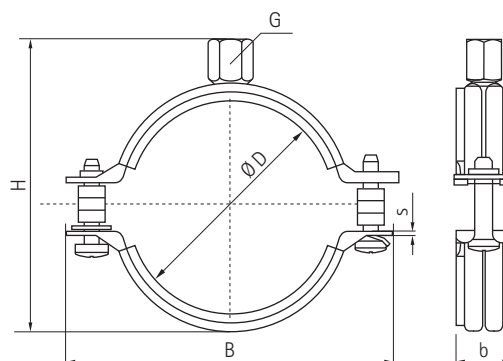
## Removable spacer washers



*Ideal used combination  
for sliding or anchoring*

# Bifix® 5000 G2

For uninsulated plastic pipes



## Technical data

Part No.	D (mm)	G	B (mm)	H (mm)	b x s (mm)	Fa,z (N)	RAL	Box qty (pcs)
3188016	16	M8/10	63	50	20 x 1.25	600	-	50
3188020	20	M8/10	68	54	20 x 1.25	600	-	50
3188025	25	M8/10	74	59	20 x 1.25	600	-	50
3188032	32	M8/10	80	61	20 x 1.25	600	-	50
3188040	40	M8/10	91	73	20 x 1.25	600	-	50
3188050	50	M8/10	97	84	20 x 1.25	600	-	50
3188056	56	M8/10	104	90	20 x 1.25	600	-	50
3188058	58	M8/10	109	91	20 x 1.25	600	-	50
3188063	63	M8/10	109	99	20 x 1.25	600	-	50
3188075	75	M8/10	125	109	20 x 1.50	600	-	50
3188078	78	M8/10	132	111	20 x 1.50	600	-	25
3188090	90	M8/10	142	128	23 x 2.00	1,400	-	25
3188110	110	M8/10	164	144	23 x 2.00	1,400	-	25
3188125	125	M8/10	181	159	23 x 2.00	1,400	-	25
3188135	135	M8/10	189	169	23 x 2.00	1,400	-	25
3188160	160	M8/10	225	196	25 x 2.50	1,700	-	10
3188200	200	M8/10	269	237	25 x 2.50	1,700	-	10



## Bifix<sup>®</sup> G2

A premium product line with advanced design features for exceptional strength, fast installation, versatile uses and outstanding corrosion resistance.

For more information  
Please visit [walraven.com](http://walraven.com)

## Find out how we can support you

Would you like to find out more about any of the solutions described in this brochure?  
Or would you like to discuss how we could help you find the best possible solution for your project? Get in touch today!

### United Kingdom Ireland

#### Walraven Ltd.

Thorpe Way, Banbury (GB)  
Oxon, OX16 4UU  
Tel. +44 (0)1295 75 34 00  
Fax +44 (0)1295 75 34 28  
sales.uk@walraven.com

### Other countries

#### Walraven International

Industrieweg 5  
3641 RK Mijdrecht (NL)  
Tel. +31 297 23 30 00  
Fax +31 297 23 30 99  
export@walraven.com

### Walraven Group

Mijdrecht (NL) · Tienen (BE) · Bayreuth (DE) · Banbury (GB) · Malmö (SE) · Grenoble (FR) · Barcelona (ES) · Kraków (PL)  
Mladá Boleslav (CZ) · Moscow (RU) · Kyiv (UA) · Detroit (US) · Shanghai (CN) · Dubai (AE) · Budapest (HU) · Mumbai (IN)

