

New and improved!



Bifix[®] G2 clamps

Premium pipe clamps, for in- and outdoor use



Bifix® G2 lined



⊕ Suitable for in- and outdoor use

⊕ Improved lining for easy installation

⊕ Quick closing mechanism

⊕ Safe load according to RAL GZ-655 and RAL GZ-656

Inspired by smart solutions from the start

Walraven is a globally active company in the installation industry, founded in 1942. We have always been dedicated to make the work of our customers easier and more effective. With simple and smart solutions, comprehensive services and excellent support.

Walraven. The value of smart

Bifix® G2 lined

For uninsulated pipes

Product information

Bifix® G2 offers a unique and premium line of clamps covering all types of pipe fixing solutions, both in- and outdoors. The optimised range includes lined clamps for steel, copper and multilayer pipes, Ø 10 - 225 mm. The new 2 component EPDM lining improves the product's ease of installation as well as the noise reduction properties (DIN 4109). Strength wise the Bifix® G2 holds medium to high loads, in accordance with both RAL GZ-655 and RAL GZ-656 under fire conditions.



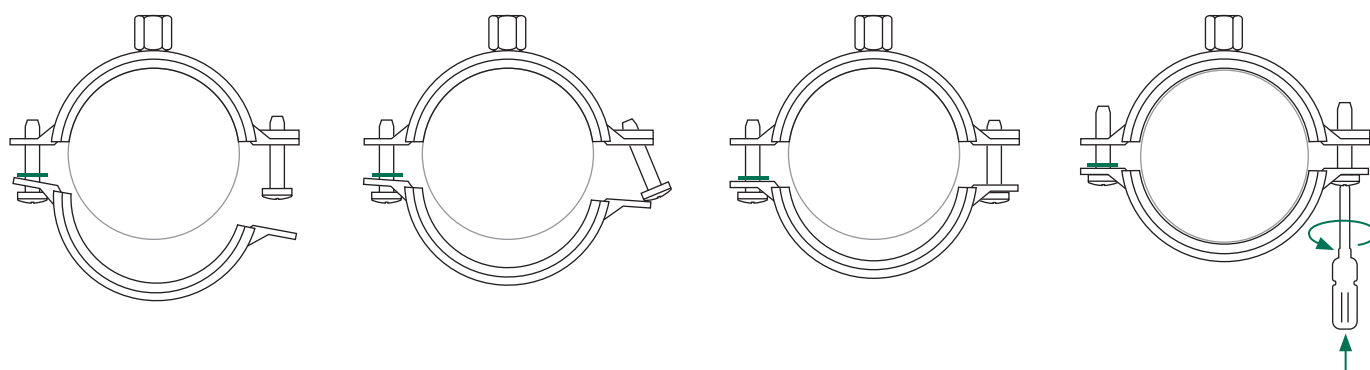
Features and benefits

- Two-screw clamp
- For uninsulated pipes
- Optimised range Ø 10 - 225 mm
- Material: Steel
- Surface treatment: BIS UltraProtect® 1000
- Lining: 2 component EPDM
- Improved lining for easy installation
- Quick closing mechanism
- Good strength vs material usage
- Medium-High safe load according RAL GZ-655 and RAL GZ-656
- Noise reduction according DIN 4109

Type of pipe

- Steel, copper, cast iron
- Multilayer pipes

Quick closing mechanism



2 component EPDM lining

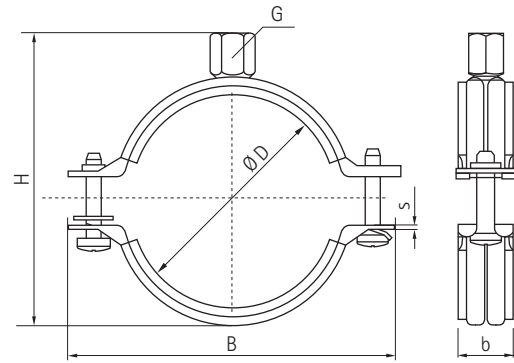


For faster and easier installation



Bifix® G2 lined

For uninsulated pipes



Technical data

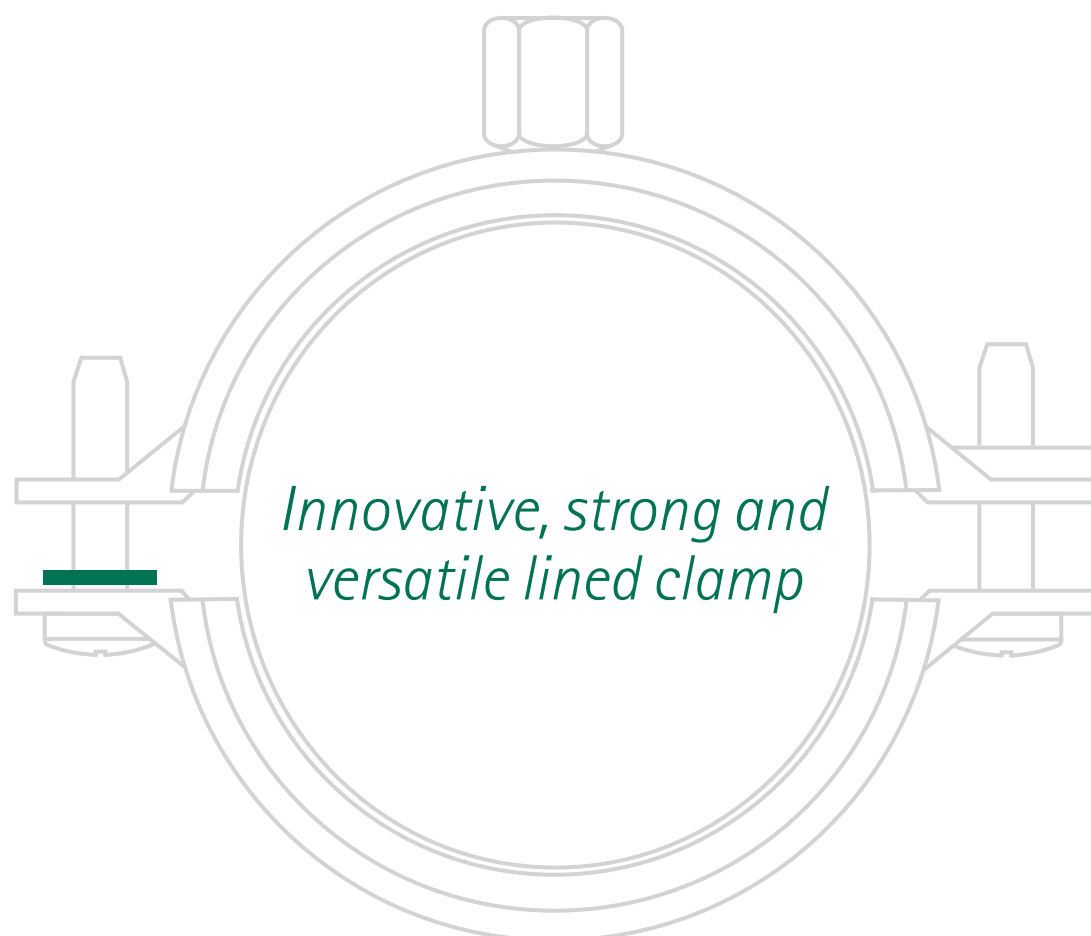
Part No.	D (mm)	D (")	DN	G	B (mm)	H (mm)	b x s (mm)	Fa,z (N)	Box qty (pcs)
31085014	10 - 14	1/4	8	M8/10	59	42	20 x 1.25	700	50
31085019	15 - 19	3/8	10	M8/10	63	46	20 x 1.25	700	50
31085023	20 - 23	1/2	15	M8/10	68	51	20 x 1.25	700	50
31085028	25 - 28	3/4	20	M8/10	74	57	20 x 1.25	700	50
31085035	31 - 35	1	25	M8/10	80	63	20 x 1.25	700	50
31085039	36 - 39	-	-	M8/10	84	67	20 x 1.25	700	50
31085045	40 - 45	1 1/4	32	M8/10	91	74	20 x 1.25	700	50
31085052	48 - 52	1 1/2	40	M8/10	97	80	20 x 1.25	700	50
31085058	54 - 58	-	-	M8/10	104	87	20 x 1.25	700	50
31085064	60 - 64	2	50	M8/10	109	92	20 x 1.25	700	50
31085070	66 - 70	-	-	M8/10	118	100	20 x 1.50	800	50
31085079	75 - 79	2 1/2	65	M8/10	125	108	20 x 1.50	800	50
31085083	80 - 83	-	-	M8/10	131	114	20 x 1.50	800	25
31085091	88 - 91	3	80	M8/10	142	123	23 x 2.00	1,700	25
31085105	100 - 105	-	-	M8/10	155	137	23 x 2.00	1,700	25
31085115	108 - 115	4	100	M8/10	163	145	23 x 2.00	1,700	25
31085130	125 - 130	-	-	M8/10	180	162	23 x 2.00	1,700	25
31085140	133 - 140	5	125	M8/10	189	171	23 x 2.00	1,700	25
31085160	152 - 160	-	-	M8/10	208	190	23 x 2.00	1,700	25
31085169	165 - 169	6	150	M8/10	225	203	25 x 2.50	2,000	10

Bifix® G2 lined

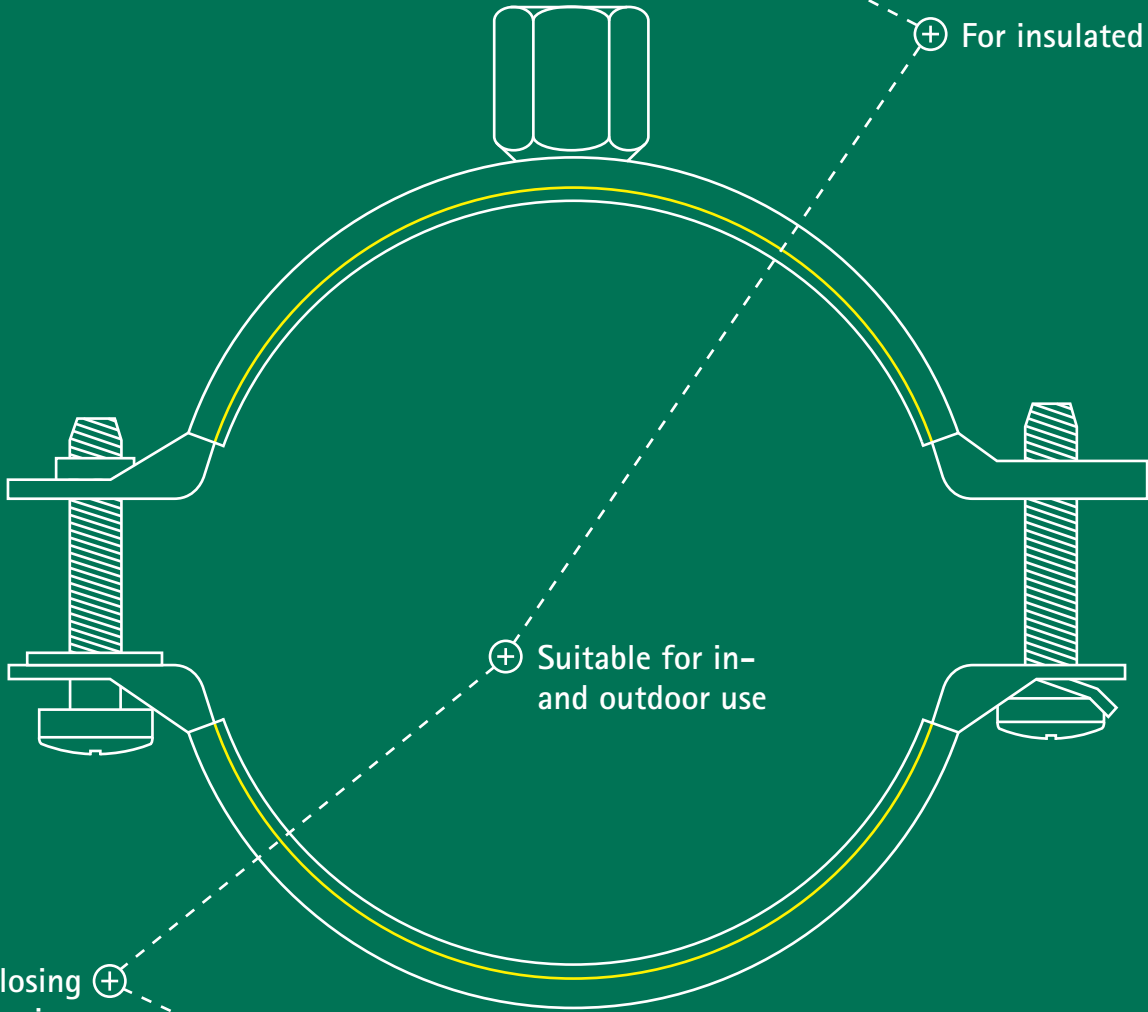
For uninsulated pipes

Technical data

Part No.	D (mm)	D (")	DN	G	B (mm)	H (mm)	b x s (mm)	Fa,z (N)	Box qty (pcs)
31285180	176 - 180	-	-	M10	238	201	25 x 2.50	2,500	15
31285200	192 - 200	-	-	M10	257	230	25 x 2.50	2,500	15
31285210	205 - 210	-	-	M10	269	241	25 x 2.50	2,500	10
31285225	219 - 225	8	200	M10	283	257	25 x 2.50	2,500	10



Bifix® G2 unlined



⊕ For insulated pipes

⊕ Suitable for in- and outdoor use

⊕ Quick closing mechanism

⊕ Safe load according to RAL GZ-655 and RAL GZ-656

Bifix® G2 unlined

For insulated pipes

Product information

Bifix® G2 offers a unique and premium line of clamps covering all types of pipe fixing solutions, both in- and outdoors. The optimised range includes unlined clamps for insulated steel and copper pipes, Ø 10 - 225 mm. Strength wise the Bifix® G2 holds medium to high loads, in accordance with both RAL GZ-655 and RAL GZ-656 under fire conditions.



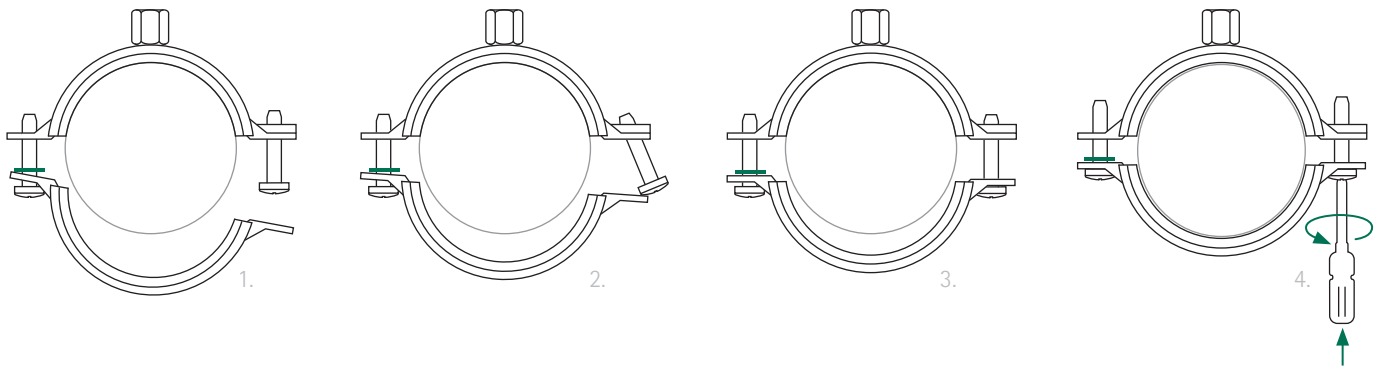
Features and benefits

- Two-screw clamp
- For insulated pipes
- Optimised range Ø 10 - 225 mm
- Material: Steel
- Surface treatment: BIS UltraProtect® 1000
- Quick closing mechanism
- Good strength vs material usage
- Medium-High safe load according RAL GZ-655 and RAL GZ-656

Type of pipe

- Steel
- Copper

Quick closing mechanism



Pipe insulation

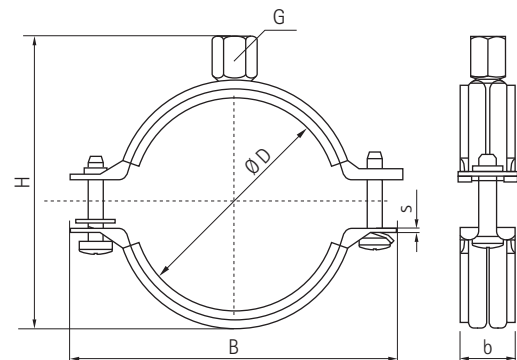


*Ideal used with
load-bearing insulated
pipe supports*



Bifix® G2 unlined

For insulated pipes



Technical data

Part No.	D (mm)	D (")	DN	G	B (mm)	H (mm)	b x s (mm)	Fa,z (N)	Box qty (pcs)
3008014	10 - 14	1/4	8	M8/10	52	35	20 x 1.25	1,200	50
3008019	15 - 19	3/8	10	M8/10	59	42	20 x 1.25	1,200	50
3008023	20 - 23	1/2	15	M8/10	63	46	20 x 1.25	1,200	50
3008028	25 - 28	3/4	20	M8/10	68	51	20 x 1.25	1,200	50
3008035	31 - 35	1	25	M8/10	74	57	20 x 1.25	1,200	50
3008039	36 - 39	-	-	M8/10	80	63	20 x 1.25	1,200	50
3008045	40 - 45	1 1/4	32	M8/10	84	67	20 x 1.25	1,200	50
3008052	48 - 52	1 1/2	40	M8/10	91	74	20 x 1.25	1,200	50
3008058	54 - 58	-	-	M8/10	97	80	20 x 1.25	1,200	50
3008064	60 - 64	2	50	M8/10	104	87	20 x 1.25	1,200	50
3008070	66 - 70	-	-	M8/10	110	92	20 x 1.50	1,300	50
3008079	75 - 79	2 1/2	65	M8/10	118	100	20 x 1.50	1,300	50
3008083	80 - 83	-	-	M8/10	125	108	20 x 1.50	1,300	50
3008091	88 - 91	3	80	M8/10	133	114	23 x 2.00	1,800	50
3008105	100 - 105	-	-	M8/10	147	123	23 x 2.00	1,800	50
3008115	108 - 115	4	100	M8/10	155	137	23 x 2.00	1,800	25
3008130	125 - 130	-	-	M8/10	172	145	23 x 2.00	1,800	25
3008140	133 - 140	5	125	M8/10	180	162	23 x 2.00	1,800	25
3008160	152 - 160	-	-	M8/10	201	171	23 x 2.00	1,800	25
3008169	165 - 169	6	150	M8/10	217	190	25 x 2.50	3,600	25
3008180	176 - 180	-	-	M8/10	229	203	25 x 2.50	3,600	15
3008200	192 - 200	-	-	M8/10	248	209	25 x 2.50	3,600	15
3008210	205 - 210	-	-	M8/10	261	238	25 x 2.50	3,600	15
3008225	219 - 225	8	200	M8/10	275	249	25 x 2.50	3,600	15



Small
CHANGES CAN MAKE
A BIG
DIFFERENCE.

BIS UltraProtect® 1000

All of our Bifix® G2 clamps are coated with our advanced surface protection system – BIS UltraProtect® 1000 – to prevent corrosion.

Optimal protection

- All applied surface treatments effortlessly withstand a salt spray test of at least 1000 hours*
- Suitable for corrosive environments (C1–C4 in accordance with ISO 12944-2)



Better than Hot Dip Galvanizing

- Higher corrosion resistance: 1000 hours* versus 300 - 600 hours (with a layer thickness of 50 - 80 µm)
- Threaded products are also well protected
- Products feel smooth and are also visually appealing



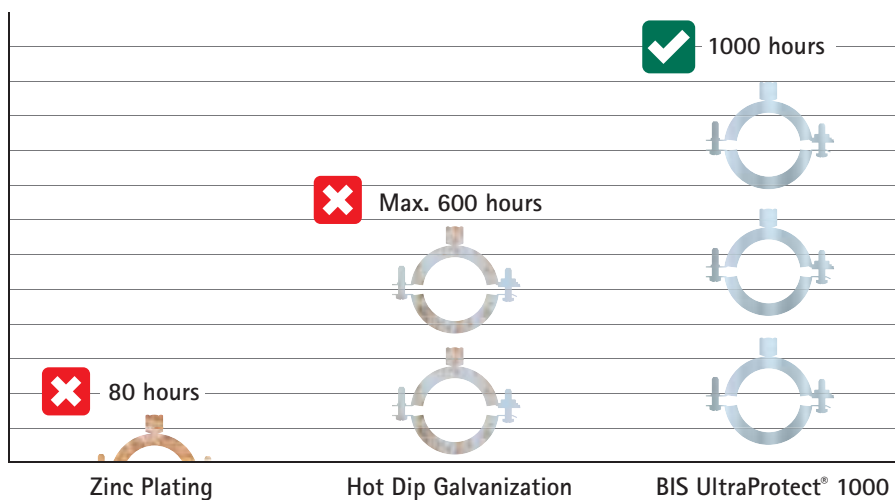
Complementary system

- The products in the BIS UltraProtect® 1000 system combine together perfectly
- Can also work with zinc plated, pre-galvanized or hot dip galvanized products



*Until the occurrence of maximum 5% red rust.

The proof after 1000 hours salt spray test





Corrosion resistance

- C1 - C4 / ISO 12944-2

Salt spray test

- 1000 hours / ISO 9227

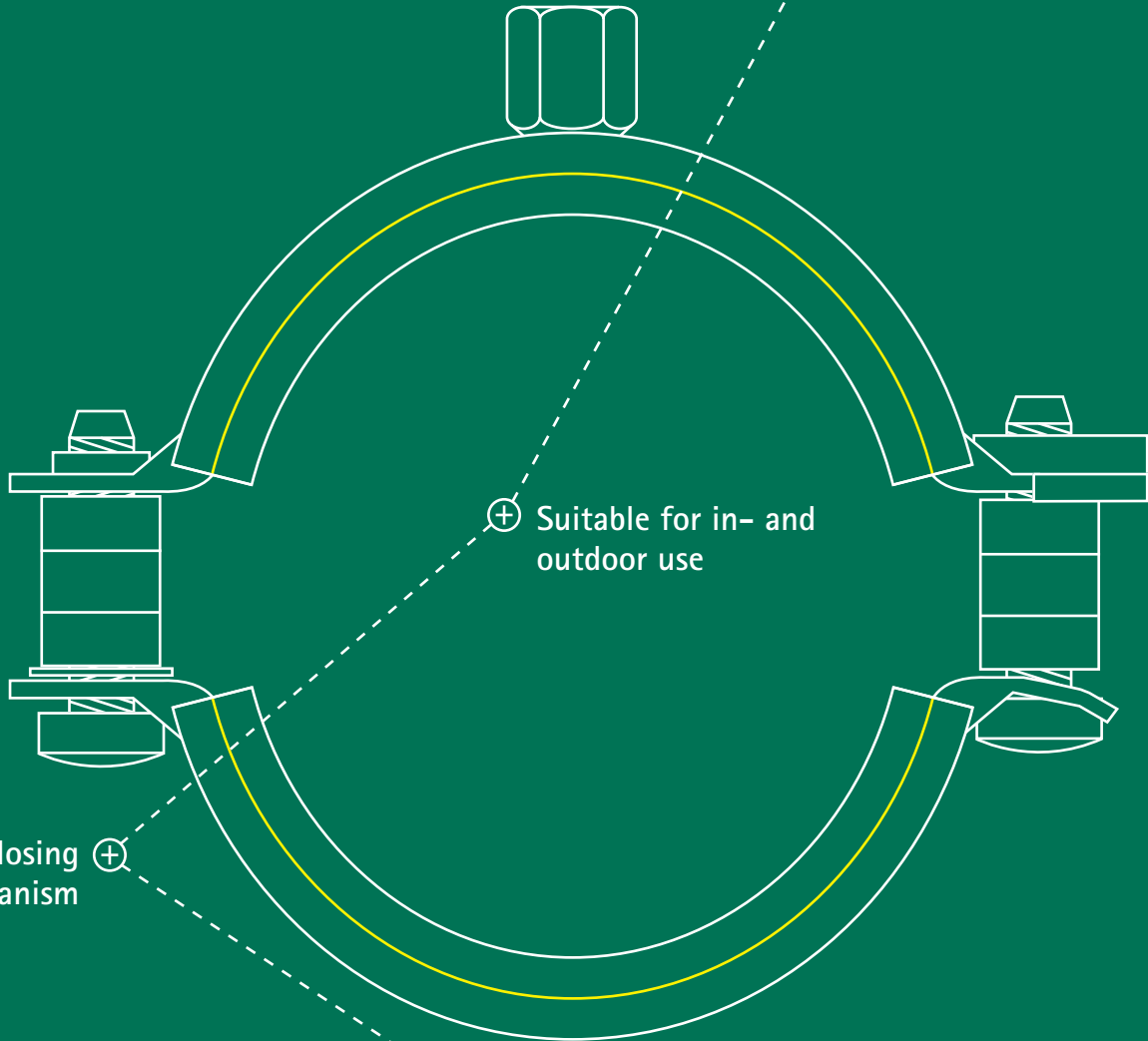
Complementary system

- Easily combined with other products

Bifix® 5000 G2



⊕ For all types of plastic pipes



⊕ Suitable for in- and outdoor use

Quick closing mechanism ⊕

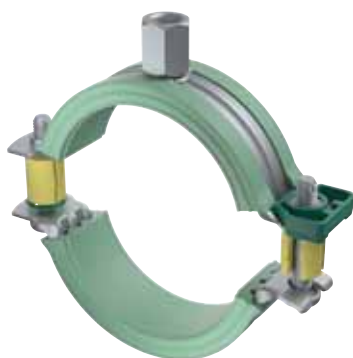
⊕ Removable spacer washers for sliding or anchoring

Bifix® 5000 G2

For uninsulated plastic pipes

Product information

Bifix® 5000 G2 offers a unique and premium line of clamps covering all types of plastic pipe fixing solutions, both indoors and outdoors, Ø 16 - 200 mm. The product is specifically designed for PE pipes, and can be installed to either anchor the pipe, or to allow for movement from pipe expansion.



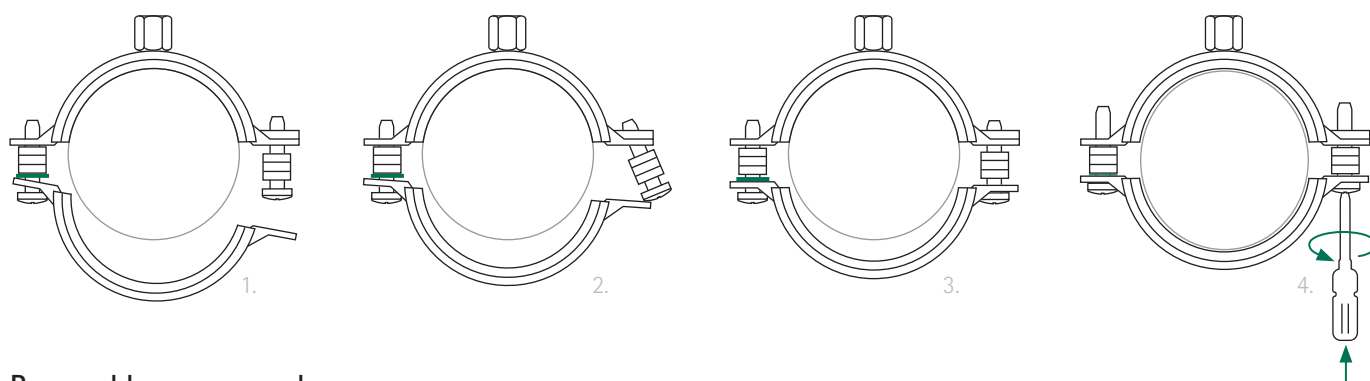
Features and benefits

- Two-screw clamp
- For uninsulated pipes
- Optimised range Ø 16 - 200 mm
- Material: Steel
- Surface treatment: BIS UltraProtect® 1000
- Lining: EPDM
- Quick closing mechanism
- With removable spacer washers for either sliding or anchoring
- Good strength vs material usage
- Medium-High safe load according RAL GZ-655 and RAL GZ-656
- Noise reduction according DIN 4109

Type of pipe

- Plastic (all)

Quick closing mechanism



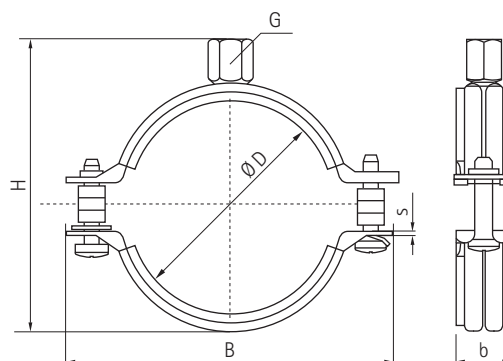
Removable spacer washers



*Ideal for either sliding
or anchoring*

Bifix® 5000 G2

For uninsulated plastic pipes



Technical data

Part No.	D (mm)	G	B (mm)	H (mm)	b x s (mm)	Fa,z (N)	RAL	Box qty (pcs)
3188016	16	M8/10	63	50	20 x 1.25	600	-	50
3188020	20	M8/10	68	54	20 x 1.25	600	-	50
3188025	25	M8/10	74	59	20 x 1.25	600	-	50
3188032	32	M8/10	80	61	20 x 1.25	600	-	50
3188040	40	M8/10	91	73	20 x 1.25	600	-	50
3188050	50	M8/10	97	84	20 x 1.25	600	-	50
3188056	56	M8/10	104	90	20 x 1.25	600	-	50
3188058	58	M8/10	109	91	20 x 1.25	600	-	50
3188063	63	M8/10	109	99	20 x 1.25	600	-	50
3188075	75	M8/10	125	109	20 x 1.50	600	-	50
3188078	78	M8/10	132	111	20 x 1.50	600	-	25
3188090	90	M8/10	142	128	23 x 2.00	1,400	-	25
3188110	110	M8/10	164	144	23 x 2.00	1,400	-	25
3188125	125	M8/10	181	159	23 x 2.00	1,400	-	25
3188135	135	M8/10	189	169	23 x 2.00	1,400	-	25
3188160	160	M8/10	225	196	25 x 2.50	1,700	-	10
3188200	200	M8/10	269	237	25 x 2.50	1,700	-	10



Bifix[®] G2

A premium product line with advanced design features for exceptional strength, fast installation, versatile uses and outstanding corrosion resistance.

For more information
Please visit walraven.com

Find out how we can support you

Would you like to find out more about any of the solutions described in this brochure?
Or would you like to discuss how we could help you find the best possible solution for your project? Get in touch today!

United Kingdom Ireland

Walraven Ltd.
18 Wildmere Industrial Estate
Banbury (GB)
Oxon, OX16 3JU
Tel. +44 (0)1295 75 34 00
sales.uk@walraven.com

Other countries

Walraven International
Industrieweg 5
3641 RK Mijdrecht (NL)
Tel. +31 297 23 30 00
Fax +31 297 23 30 99
export@walraven.com

Walraven Group

Mijdrecht (NL) · Tienen (BE) · Bayreuth (DE) · Banbury (GB) · Malmö (SE) · Grenoble (FR) · Barcelona (ES) · Kraków (PL)
Mladá Boleslav (CZ) · Moscow (RU) · Kyiv (UA) · Detroit (US) · Shanghai (CN) · Dubai (AE) · Budapest (HU) · Mumbai (IN)

