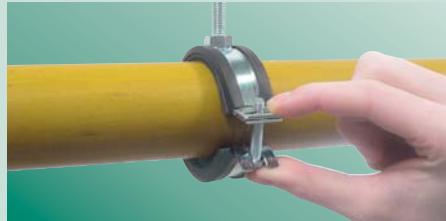


## BISMAT® Flash



*Insert pipe*



*Close clamp / push screw*



*Done!*

### Fixed in a flash, without tools!

- With BISMAT® Flash quick locking system
- Clamp easy to close with one hand without tools
- Tested for fire safety
- Rubber lined, noise insulated
- For plastic and metal pipes
- Easy open/close locking system
- Keeps pipe in place with no tools required
- One-handed use for greater safety
- ASTM E-84 plenum rated

*Easy to close  
with  
one hand!*

# BISMAT® Flash

The BISMAT® Flash is a single screw pipe clamp with quick locking system. The locking screw can be secured by one simple thumb push. Tools are not required.

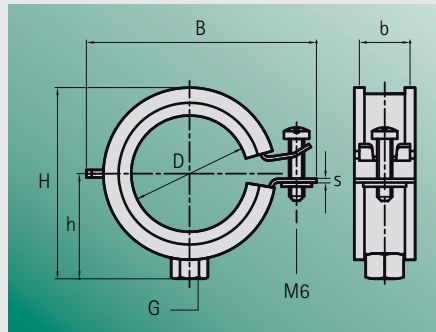
The BISMAT® Flash is suitable for fitting all types of metal pipes 3/8" up to and including 1 1/2".

The steel locking guarantees safety and reliability in all conditions.

BISMAT® Flash has been tested to ASTM-E84, plenum rating.

## Features and benefits

- Single screw clamp
- With BISMAT® Flash quick locking system
- Clamp easy to close with one hand
- The locking screw can be secured without use of tools
- Material: steel, Zinc plated
- Noise insulating lining, EPDM rubber, black
- Lining resistant to aging
- Temperature range -58F to +200F
- Meets "Buy America Act"
- Plenum rated - tested to ASTM E-84



Part No.	D (mm)	IP (")	CT (")	G	B (")	H (")	h (")	b x s (mm)	Fa,z* (lbs)	Box
CR 337 9 018	15 - 18	3/8	1/2	3/8"	1.9	1.4	0.87	20 x 1.25	180	50
CR 337 9 023	20 - 23	1/2	3/4	3/8"	2.1	1.5	0.91	20 x 1.25	180	50
CR 337 9 028	25 - 28	3/4	1	3/8"	2.3	1.7	1.00	20 x 1.25	180	50
CR 337 9 035	31 - 35	1	1 1/4	3/8"	2.6	2.0	1.20	20 x 1.25	180	50
CR 337 9 043	40 - 43	1 1/4	1 1/2	3/8"	2.9	2.4	1.30	20 x 1.25	180	50
CR 337 9 051	48 - 51	1 1/2	-	3/8"	3.2	2.6	1.50	20 x 1.25	180	50
CR 337 9 056	53 - 56	-	2	3/8"	3.3	3.0	1.60	20 x 1.25	180	50
CR 337 9 063	57 - 63	2	-	3/8"	3.6	3.2	1.80	20 x 1.23	180	50

\* The max. allowed load (Fa,z) is calculated using specific statistical methods related to the breaking load, taking into account a deflection to 1,5 mm or 2% of the maximum nominal clamp diameter. The test results are certified and monitored by an independent test institute.

## The right combination

### BIS RapidRail®

- For all light and medium rail applications
- Quick and easy fitting to the rail
- Accessories pre-assembled 'ready-to-use'
- Rail WM15 easy to use on both sides
- Saves up to 40% fitting time!



### United States of America Canada

**Walraven, Inc.**  
2605 East Oakley Park Road  
Suite B  
Walled Lake (Detroit), MI 48390 (US)  
Toll free +1 800 610 5056  
Phone +1 248 374 3100  
Fax +1 248 374 3232  
info.us@walraven.com

### Walraven Group

Mijdrecht (NL) · Tienen (BE) · Bayreuth (DE)  
Banbury (GB) · Malmö (SE) · Grenoble (FR)  
Barcelona (ES) · Kraków (PL) · Mladá  
Boleslav (CZ) · Moscow (RU) · Kyiv (UA)  
Detroit (US) · Shanghai (CN) · Dubai (AE)  
Budapest (HU)

walraven.com

Your wholesaler:

