

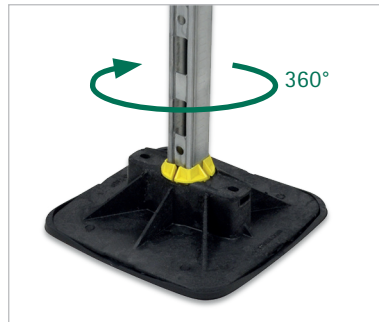
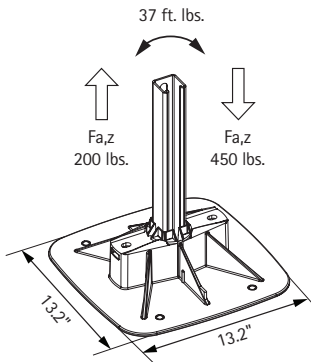
BIS Yeti® 335 Support System



Item number	For rail (inches)	Items per pkg.
67685201	Strut 1-5/8 x 1-5/8 + DS 5 (1-5/8 x 2)	1

Product specifications:

- Modular supporting system for HVAC installations, solar panels, walkways, pipe work, cable ways, etc.
- Designed for use on flat roofs
- With non-slip, anti-vibration mat
- For horizontal and vertical applications
- 360° rotatable insert for all 1-5/8" x 1-5/8" Strut or BIS RapidStrut® DS 5 (1-5/8" x 2")
- Features non-slip, anti-vibration mat
- Moldings made of WPC, a composite of recycled plastic and wood fiber
- Resistant to UV and chemical influences
- Noise reduction according to DIN EN ISO 10140-1 and DIN EN ISO 10140-3 up to 31 dB(A)
- UV-resistance according to EN ISO 16474-3:2014-02 - certified by ITB



Insert rotates 360° for precise positioning



PRODUCT SUBMITTAL		Architect / Owner:
Job Name:		
Date:		Contractor:
Part No.	Qty:	Notes:

THE INFORMATION CONTAINED IN THIS SUBMITTAL SHEET IS PROPRIETARY TO WALRAVEN, INC. AND IS SUBJECT TO CHANGE WITHOUT NOTICE. THIS INFORMATION MAY NOT BE REPRODUCED IN PART OR WHOLE WITHOUT WRITTEN AUTHORIZATION FROM WALRAVEN, INC.

