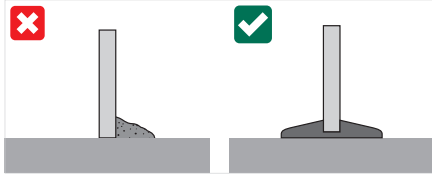
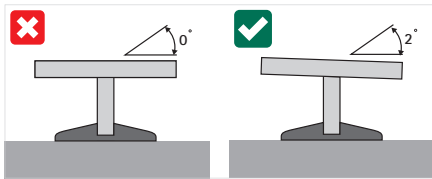




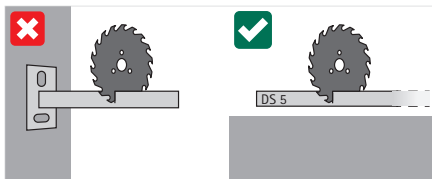
Installation Tips



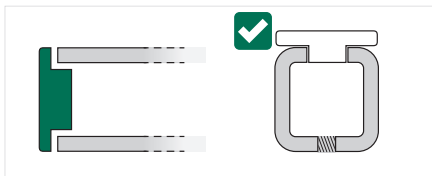
Design the system in such a way that there is no possibility of water or waste - organic or otherwise - stagnating around metal BIS UltraProtect® 1000 products. Use for example a BIS Yeti® or BIS Ursus to lift the BIS UltraProtect® 1000 System.



To make sure water runs off freely, place the BIS UltraProtect® 1000 parts at an angle of at least 2°.

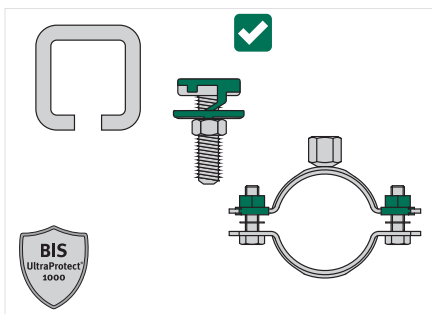


Because the BIS RapidStrut® DS 5 Fixing Rail contains self repairing properties it is possible to cut the rail to length to meet your needs. The cut edges remain protected against corrosion. We strongly advise that you do not cut the BIS UltraProtect® 1000 Cantilever Arms as this will leave the cut edges unprotected.



Fit the rail or cantilever arm with a BIS Rail End Cap (656 6 0XX) for clean finishing of rail end and to cover all burrs.

To prevent the accumulation of dirt inside the rail, use the BIS Strut PVC Profile (656 6 999) to close the slot (when fitted on top).



In order to comply with the warranty terms and conditions* it is important that any installation only uses BIS UltraProtect® 1000 products in a system. A system with BIS UltraProtect® 1000 products in combination with other zinc treated metals like zinc plated, pre-galvanized or hot dip galvanized products is technically possible, but due to the shorter life span of non-BIS UltraProtect® 1000 products the total life span of the installation cannot be guaranteed.

To prevent galvanic corrosion BIS UltraProtect® 1000 should not be combined with any other materials including aluminium, stainless steel, copper or untreated steel.