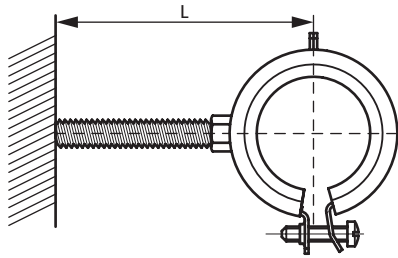


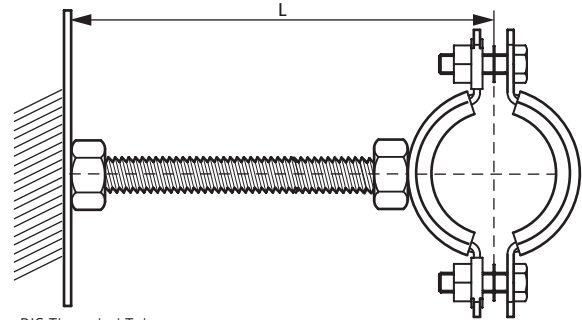
## Data sheet

### BIS Threaded Rods: maximum allowed load

Maximum allowed load



BIS Stud Bolts / BIS Threaded Rods



BIS Threaded Tubes

| Ø      | BIS Stud Bolts / BIS Threaded Rods |     |     |       |       |       |       | BIS Threaded Tubes |       |        |
|--------|------------------------------------|-----|-----|-------|-------|-------|-------|--------------------|-------|--------|
|        | M8                                 | M10 | M12 | M16   | M20   | M22   | M24   | 1/2"               | 3/4"  | 1"     |
| L (mm) |                                    |     |     |       |       |       |       |                    |       |        |
| 20     | 210                                | 422 | 744 | 1,936 | 3,785 | 5,295 | 6,542 | 3,057              | 5,377 | 10,693 |
| 30     | 140                                | 281 | 496 | 1,291 | 2,523 | 3,530 | 4,361 | 2,038              | 3,584 | 7,128  |
| 40     | 105                                | 211 | 372 | 968   | 1,892 | 2,647 | 3,271 | 1,528              | 2,688 | 5,346  |
| 50     | 84                                 | 169 | 297 | 774   | 1,514 | 2,118 | 2,617 | 1,223              | 2,151 | 4,277  |
| 60     | 70                                 | 141 | 248 | 645   | 1,262 | 1,765 | 2,181 | 1,019              | 1,792 | 3,564  |
| 70     | 60                                 | 120 | 212 | 553   | 1,081 | 1,513 | 1,869 | 873                | 1,536 | 3,055  |
| 80     | 50                                 | 105 | 186 | 484   | 946   | 1,324 | 1,636 | 764                | 1,344 | 2,673  |
| 90     | 40                                 | 94  | 165 | 430   | 841   | 1,177 | 1,454 | 679                | 1,195 | 2,376  |
| 100    | 32                                 | 81  | 149 | 387   | 757   | 1,059 | 1,308 | 611                | 1,075 | 2,138  |
| 125    | 21                                 | 52  | 111 | 310   | 606   | 847   | 1,047 | 489                | 860   | 1,711  |
| 150    | 14                                 | 36  | 77  | 258   | 505   | 706   | 872   | 408                | 717   | 1,426  |
| 175    | 10                                 | 27  | 57  | 203   | 433   | 605   | 748   | 349                | 614   | 1,222  |
| 200    | -                                  | 20  | 43  | 155   | 378   | 529   | 654   | 305                | 538   | 1,069  |
| 225    | -                                  | 16  | 34  | 123   | 300   | 469   | 582   | 272                | 478   | 950    |
| 250    | -                                  | 13  | 28  | 99    | 243   | 380   | 504   | 239                | 430   | 855    |
| 275    | -                                  | 11  | 23  | 82    | 201   | 314   | 416   | 198                | 391   | 778    |
| 300    | -                                  | -   | 19  | 69    | 169   | 264   | 350   | 166                | 358   | 713    |
| 325    | -                                  | -   | 16  | 59    | 144   | 225   | 298   | 141                | 322   | 658    |
| 350    | -                                  | -   | 14  | 51    | 124   | 194   | 257   | 122                | 278   | 611    |
| 375    | -                                  | -   | 12  | 44    | 108   | 169   | 224   | 106                | 242   | 570    |
| 400    | -                                  | -   | 11  | 39    | 95    | 148   | 197   | 93                 | 213   | 531    |
| 450    | -                                  | -   | -   | 31    | 75    | 117   | 156   | 74                 | 168   | 420    |
| 500    | -                                  | -   | -   | 25    | 61    | 95    | 126   | 60                 | 136   | 340    |

Max. allowed load in N.  
 Allowable bending:  $f = (1/150) \times L$   
 Allowable bending stress:  $\sigma = 160 \text{ N/mm}^2$

Please contact our technical department in case of special applications.