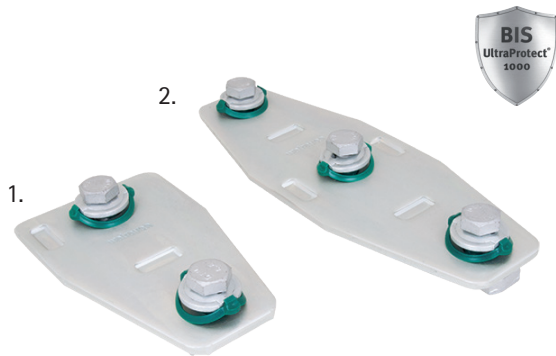


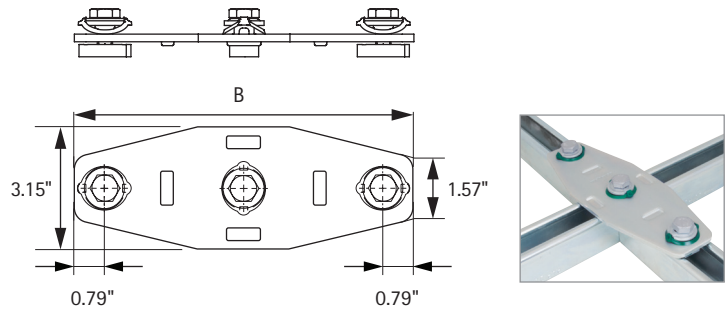
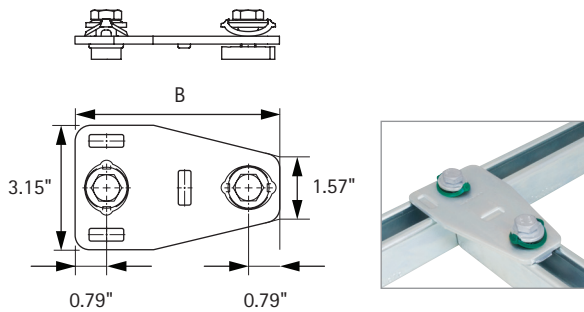
RapidStrut® T and X Connector



Product Specifications:

- Connector with pre-assembled RapidStrut® Slide nut(s)
- Used to make fabrication with Strut Rail
- Ready-to-use, pre-assembled for quick installation
- Retains assembly in place before final tightening
- Surface protection: Product is part of the BIS UltraProtect® 1000 system - withstands a salt spray corrosion test for a minimum of 1,000 hours (maximum 5% red rust) according to ISO 9227
- Suitable for indoor and outdoor applications
- "Direct Twist" technology for easy and secure installation
- Visual guide to check position of slide nut
- Optimized for easy installation with electrical tools
- Material: metal parts made of steel 1.0332, spring(s) made of POM (polyoxymethylene)

	Item Number	Type	B (inches)	Items per pkg.
1.	665885213	T	5.16	20
2.	665885223	X	8.74	15



PRODUCT SUBMITTAL		Architect / Owner:
Job Name:		
		Contractor:
Date:		
Part No.	Qty:	Notes:

THE INFORMATION CONTAINED IN THIS SUBMITTAL SHEET IS PROPRIETARY TO WALRAVEN, INC. AND IS SUBJECT TO CHANGE WITHOUT NOTICE. THIS INFORMATION MAY NOT BE REPRODUCED IN PART OR WHOLE WITHOUT WRITTEN AUTHORIZATION FROM WALRAVEN, INC.

