

# BIS RapidStrut® Support System

## Technical Data

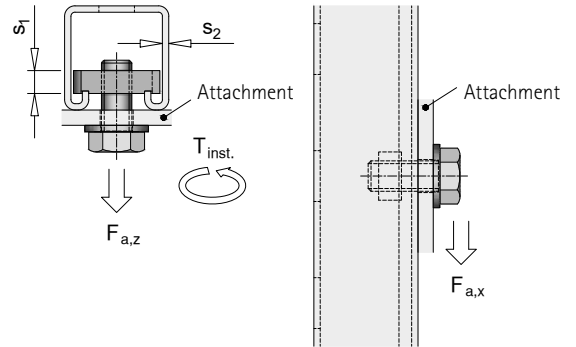
### BIS Strut Slide Nut



Type zinc plated (ZP)  
 Type hot dip galvanized (HDG)  
 Type BIS UltraProtect® 1000 (BUP)  
 Type Stainless Steel (SSt)

**Part No.**

65170XX (ZP)  
 65180XX (HDG)  
 651880XX (BUP)  
 65177XX (SSt)



### BIS RapidStrut® Slide Nut with Plastic Tabs



Type zinc plated (ZP)  
 Type BIS UltraProtect® 1000 (BUP)  
 Type Stainless Steel (SSt)

**Part No.**

65186XX (ZP)  
 6518680XX (BUP)  
 6518670XX (SSt)

## Product details

BIS Strut Slide Nut and BIS RapidStrut® Slide Nut with Plastic Tabs

BIS Strut Slide Nut				BIS RapidStrut® Slide Nut with Plastic Tabs				Dim.	S <sub>1</sub> (mm)	T <sub>inst.</sub> (Nm)		
ZP	HDG	BUP	SSt	ZP	BUP	SSt	S <sub>2</sub> = 1.5 mm			S <sub>2</sub> = 2.0 mm	S <sub>2</sub> = 2.5 mm	
6517006	6518006	65188006	6517706	6518606	651868006	651867006	M6	5.0	7.0	7.0	7.0	
6517008	6518008	65188008	6517708	6518608	651868008	651867008	M8	6.0	25.0	25.0	25.0	
6517010	6518010	65188010	6517710	6518610	651868010	651867010	M10	9.0	40.0	40.0	40.0	
6517012	6518012	65188012	6517712	6518612	651868012	651867012	M12	9.0	40.0	50.0	50.0	

BIS Strut Slide Nut and BIS RapidStrut® Slide Nut with Plastic Tabs

G	Maximum allowed load					
	F <sub>a,x</sub> (N)			F <sub>a,z</sub> (N)		
	S <sub>2</sub> = 1.5 mm	S <sub>2</sub> = 2.0 mm	S <sub>2</sub> = 2.5 mm	S <sub>2</sub> = 1.5 mm	S <sub>2</sub> = 2.0 mm	S <sub>2</sub> = 2.5 mm
M6	730	880	950	2,310	2,460	2,660
M8	1,000	1,600	2,200	2,660	3,580	4,500
M10	1,200	1,950	2,550	4,210	4,600	5,000
M12	1,200	2,430	2,950	4,210	4,600	5,000



UK +44 (0)1295 75 34 00  
 DE +49 (0)921 75 60 0  
 NL +31 (0)297 23 30 00  
 BE +32 (0)16 82 20 40  
 FR +33 (0)4 76 04 10 70

ES +34 93 721 33 75  
 PL +48 12 684 00 95  
 CZ/SK +420 326 724 009  
 HU (+36 1) 920 2458  
 RU +7 (495) 664 35 08

UA +380 44 351 27 47  
 US +1 800 610 5056  
 DK +45 46 37 05 10  
 SE +46 (0)40 36 54 20  
 NO +45 46 37 05 10

CN +86 21 5176 0268  
 SG +65 9146 8260  
**Other countries**  
 +31 (0)297 23 30 00