

BIS RapidStrut® Support System

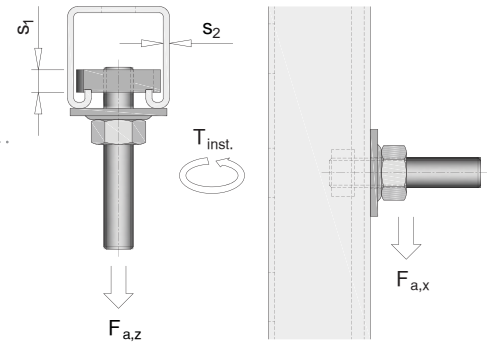
Technical Data

BIS RapidStrut® Slide Nut G2



Type BIS UltraProtect® 1000 (BUP)
Type Stainless Steel (SSt)

Part No.
6651851XX (BUP)
6651751XX (SSt)



BIS RapidStrut® Slide Nut MS



Type zinc plated (ZP)
Type BIS UltraProtect® 1000 (BUP)

Part No.
665131XX (ZP)
665183XX (BUP)

Product details

BIS RapidStrut® Slide Nut G2

| Part No. | G | S ₁ (mm) | T _{inst.} (Nm) | Maximum allowed load | | | | | |
|-----------|-----|---------------------|-------------------------|-------------------------|-------------------------|-------------------------|-------------------------|-------------------------|-------------------------|
| | | | | F _{a,x} (N) | | | F _{a,z} (N) | | |
| | | | | S ₂ = 1.5 mm | S ₂ = 2.0 mm | S ₂ = 2.5 mm | S ₂ = 1.5 mm | S ₂ = 2.0 mm | S ₂ = 2.5 mm |
| 665185106 | M6 | 5.0 | 7.0 | 730 | 880 | 950 | 2,310 | 2,440 | 2,660 |
| 665185108 | M8 | 6.0 | 11.0 | 770 | 920 | 1,100 | 2,660 | 2,850 | 3,120 |
| 665185110 | M10 | 8.0 | 15.0 | 870 | 1,040 | 1,250 | 4,220 | 4,610 | 5,000 |
| 665185112 | M12 | 9.0 | 22.0 | 1,690 | 2,030 | 2,440 | 4,220 | 4,610 | 5,000 |
| 665175108 | M8 | 6.0 | 11.0 | 770 | 920 | 1,100 | 2,660 | 2,850 | 3,120 |
| 665175110 | M10 | 8.0 | 15.0 | 870 | 1,040 | 1,250 | 4,220 | 4,610 | 5,000 |

BIS RapidStrut® Slide Nut MS

| Part No. | G | S ₁ (mm) | T _{inst.} (Nm) | Maximum allowed load | | | | | |
|----------|-------|---------------------|-------------------------|-------------------------|-------------------------|-------------------------|-------------------------|-------------------------|-------------------------|
| | | | | F _{a,x} (N) | | | F _{a,z} (N) | | |
| | | | | S ₂ = 1.5 mm | S ₂ = 2.0 mm | S ₂ = 2.5 mm | S ₂ = 1.5 mm | S ₂ = 2.0 mm | S ₂ = 2.5 mm |
| 66513108 | M8 | 8.0 | 25.0 | 940 | 1,210 | 1,450 | 2,660 | 3,580 | 4,450 |
| 66513110 | M10 | 8.0 | 30.0 | 1,170 | 1,510 | 1,810 | 4,220 | 4,610 | 5,000 |
| 66513112 | M12 | 10.0 | 40.0 | 2,090 | 2,430 | 2,790 | 4,220 | 4,610 | 5,000 |
| 66513116 | M16 | 10.0 | 40.0 | 2,090 | 2,430 | 2,790 | 4,220 | 4,610 | 5,000 |
| 66513121 | G1/2" | 10.0 | 40.0 | 2,090 | 2,430 | 2,790 | 4,220 | 4,610 | 5,000 |
| 66518308 | M8 | 8.0 | 25.0 | 940 | 1,210 | 1,450 | 2,660 | 3,580 | 4,450 |
| 66518310 | M10 | 10.0 | 30.0 | 1,170 | 1,510 | 1,810 | 4,220 | 4,610 | 5,000 |
| 66518312 | M12 | 10.0 | 40.0 | 2,090 | 2,430 | 2,790 | 4,220 | 4,610 | 5,000 |



UK +44 (0)1295 75 34 00
DE +49 (0)921 75 60 0
NL +31 (0)297 23 30 00
BE +32 (0)16 82 20 40
FR +33 (0)4 76 04 10 70

ES +34 93 721 33 75
PL +48 12 684 00 95
CZ/SK +420 326 724 009
HU (+36 1) 920 2458
RU +7 (495) 664 35 08

UA +380 44 351 27 47
US +1 800 610 5056
DK +45 46 37 05 10
SE +46 (0)40 36 54 20
NO +45 46 37 05 10

CN +86 21 5176 0268
SG +65 9146 8260
Other countries
+31 (0)297 23 30 00