

BIS RapidStrut® Sistema de fijación

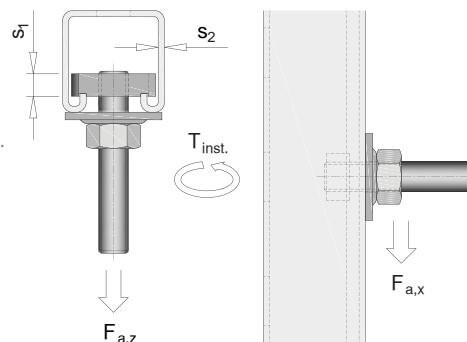
Datos técnicos

BIS RapidStrut® Tuerca soporte G2



BIS UltraProtect® 1000 (BUP)
Acero inoxidable (SSt)

Art.num.
6651851XX (BUP)
6651751XX (SSt)



BIS RapidStrut® Tuerca deslizante



Cincado plateado (CP)
BIS UltraProtect® 1000 (BUP)

Art.num.
665131XX (CP)
665183XX (BUP)

Información de producto

BIS RapidStrut® Tuerca soporte G2

Art.num.	Dim.	S ₁ (mm)	T _{inst.} (Nm)	Máximas cargas permitidas					
				F _{a,x} (N)			F _{a,z} (N)		
				s ₂ = 1.5 mm	s ₂ = 2.0 mm	s ₂ = 2.5 mm	s ₂ = 1.5 mm	s ₂ = 2.0 mm	s ₂ = 2.5 mm
665185106	M6	5.0	7.0	730	880	950	2,310	2,440	2,660
665185108	M8	6.0	11.0	770	920	1,100	2,660	2,850	3,120
665185110	M10	8.0	15.0	870	1,040	1,250	4,220	4,610	5,000
665185112	M12	9.0	22.0	1,690	2,030	2,440	4,220	4,610	5,000
665175108	M8	6.0	11.0	770	920	1,100	2,660	2,850	3,120
665175110	M10	8.0	15.0	870	1,040	1,250	4,220	4,610	5,000

BIS RapidStrut® Tuerca deslizante

Art.num.	Dim.	S ₁ (mm)	T _{inst.} (Nm)	Máximas cargas permitidas					
				F _{a,x} (N)			F _{a,z} (N)		
				s ₂ = 1.5 mm	s ₂ = 2.0 mm	s ₂ = 2.5 mm	s ₂ = 1.5 mm	s ₂ = 2.0 mm	s ₂ = 2.5 mm
66513108	M8	8.0	25.0	940	1,210	1,450	2,660	3,580	4,450
66513110	M10	8.0	30.0	1,170	1,510	1,810	4,220	4,610	5,000
66513112	M12	10.0	40.0	2,090	2,430	2,790	4,220	4,610	5,000
66513116	M16	10.0	40.0	2,090	2,430	2,790	4,220	4,610	5,000
66513121	G1/2"	10.0	40.0	2,090	2,430	2,790	4,220	4,610	5,000
66518308	M8	8.0	25.0	940	1,210	1,450	2,660	3,580	4,450
66518310	M10	10.0	30.0	1,170	1,510	1,810	4,220	4,610	5,000
66518312	M12	10.0	40.0	2,090	2,430	2,790	4,220	4,610	5,000



UK +44 (0)1295 75 34 00
DE +49 (0)921 75 60 0
NL +31 (0)297 23 30 00
BE +32 (0)16 82 20 40
FR +33 (0)4 76 04 10 70

ES +34 93 721 33 75
PL +48 12 684 00 95
CZ/SK +420 326 724 009
HU (+36 1) 920 2458
RU +7 (495) 664 35 08

UA +380 44 351 27 47
US +1 800 610 5056
DK +45 46 37 05 10
SE +46 (0)40 36 54 20
NO +45 46 37 05 10

CN +86 21 5176 0268
SG +65 9146 8260
Other countries
+31 (0)297 23 30 00