

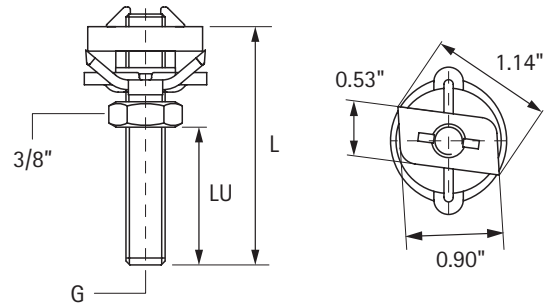
RapidRail® Hammerfix



Product Specifications:

- Used for attaching to RapidRail®
- Replaces tee-nut and washer with a single piece
- Slide nut with washer and RapidRail® spring
- Ready-to-use, pre-assembled for quick installation
- Retains assembly in place before final tightening
- Plenum rated - tested to ASTM E-84
- Conforms to Metal Framing Manufacturers Association standards
- Material: metal parts made of zinc plated steel 1.0332, spring(s) made of POM (polyoxymethylene)

Item Number	For strut	G (inches)	L (inches)	LU (inches)	Items per pkg.
RR6523902	WM15	3/8	1-1/2	1	25
RR6523908	WM15	3/8	3	2-1/2	25
RR6523910	WM15	3/8	4	3-1/2	25
RR6523916	WM15	3/8	6	5-1/2	25



PRODUCT SUBMITTAL		Architect / Owner:
Job Name:		
		Contractor:
Date:		
Part No.	Qty:	Notes:

THE INFORMATION CONTAINED IN THIS SUBMITTAL SHEET IS PROPRIETARY TO WALRAVEN, INC. AND IS SUBJECT TO CHANGE WITHOUT NOTICE. THIS INFORMATION MAY NOT BE REPRODUCED IN PART OR WHOLE WITHOUT WRITTEN AUTHORIZATION FROM WALRAVEN, INC. **walraven**