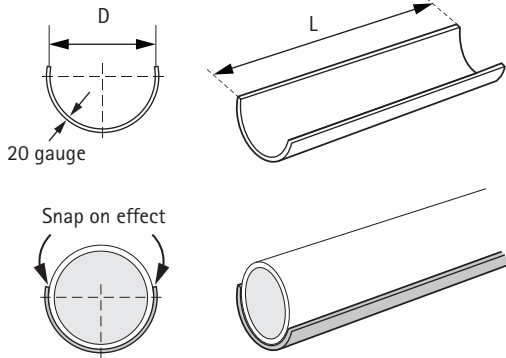
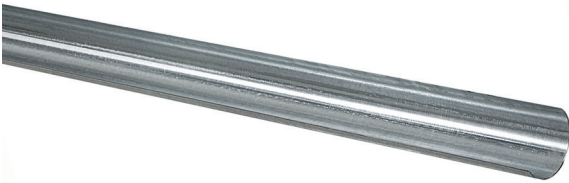


Pipe Reinforcement



Item Number	D/CTS (inches)	L (feet)	Recommended hanger spacing	Items per bundle
PSU050	1/2	9	5 ft.	5
PSU075	3/4	9	5 ft.	5
PSU100	1	9	6 ft.	5
PSU125	1-1/4	9	7 ft.	5
PSU150	1-1/2	9	8 ft.	5
PSU200	2	9	8 ft.	5

Larger sizes made to order. Contact your local sales office.

PRODUCT SUBMITTAL		Date: _____
Job Name:		
Part No.	Qty:	
Architect / Owner:		
Contractor:		
Notes:		

Product Specifications

- Self-gripping and continuous support for plastic pipes to prevent unsatisfactory curvature, bending or snaking
- Allows for longer distance between supports
- Reinforcement conveniently fits inside insulation
- Lightweight and economical, also 9 foot lengths are easy to handle which speeds installation of plastic pipes
- Insulation can be installed over both the plastic pipe and pipe reinforcement
- Easily cut to size with basic hand tools
- Material: pre-galvanized steel - 20 gauge

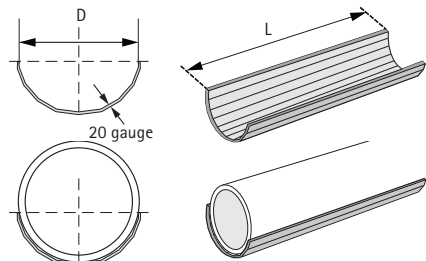


Pipe Reinforcement shown in use with BISMAT® 5000 clamps.

Metric Pipe Reinforcement

Item Number	D (mm)	D (inches)	L (m)	Recommended hanger spacing	Items per bundle
PRM020	20	1/2	3	72"	5
PRM025	25	3/4	3	72"	5
PRM032	32	1	3	96"	5
PRM040	40	1-1/4	3	96"	5
PRM050	50	1-1/2	3	96"	5
PRM063	63	2	3	96"	5
PRM075	75	2-1/2	3	96"	5
PRM090	90	3	3	96"	5
PRM110	110	3-1/2	3	96"	5
PRM125*	125	4	3	96"	5
PRM160*	160	6	3	96"	5
PRM200*	200	8	3	96"	5
PRM250*	250	10	3	120"	5
PRM315*	315	12	3	120"	5

*At room temperature. For higher temperatures, check PP pipe supplier recommendations. Larger sizes are available. Please contact your local sales office.



THE INFORMATION CONTAINED IN THIS SUBMITTAL SHEET IS PROPRIETARY TO WALRAVEN, INC. AND IS SUBJECT TO CHANGE WITHOUT NOTICE. THIS INFORMATION MAY NOT BE REPRODUCED IN PART OR WHOLE WITHOUT WRITTEN AUTHORIZATION FROM WALRAVEN, INC.

walraven