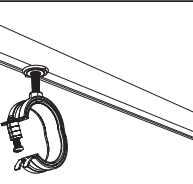


BIS Pipe Reinforcement

Assembly instruction

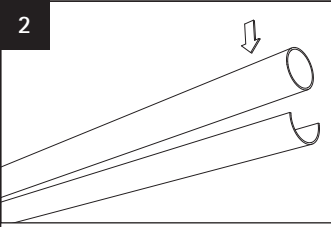
Use with Walraven BISMAT® 5000 or Clamps

1



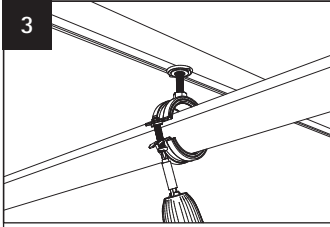
Install clamps at recommended spacing – see chart.

2



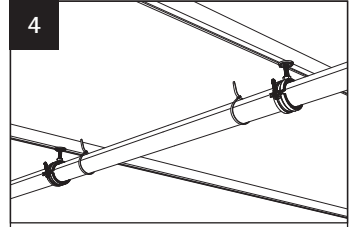
Snap pipe into BIS Pipe Reinforcement.

3



Install pipe into clamp and close clamp.

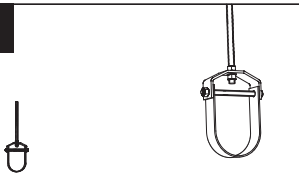
4



Due to the expansion properties of plastic pipe, if the distance between clamps is more than 48" inches, it is required that the BIS Pipe Reinforcement be strapped to the pipe with a cable tie or other strap suited for the pipe being used, between clamps.

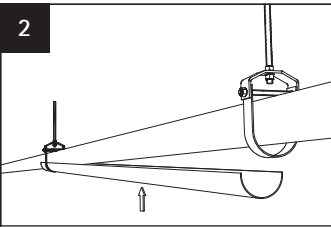
Use with Hangers – Clevis or Loop style

1



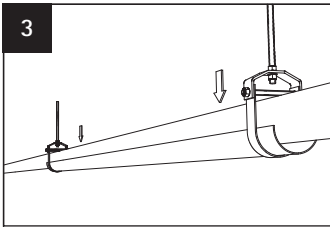
Install hangers at recommended spacing – see chart.

2



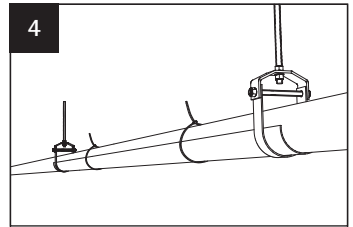
Install piping then position BIS Pipe Reinforcement under pipe and in hangers.

3



Snap pipe into BIS Pipe Reinforcement.

4



Due to the expansion properties of plastic pipe, it is required that BIS Pipe Reinforcement be strapped to the pipe every 48" inches with a cable tie or other strap suited for the pipe being used.

Part No.	D (CTS)	L	Recommended hanger spacing
PSU050	1/2"	10 ft	5 ft
PSU075	3/4"	10 ft	5 ft
PSU100	1"	10 ft	6 ft
PSU125	1 1/4"	10 ft	7 ft
PSU150	1 1/2"	10 ft	8 ft
PSU200	2"	10 ft	8 ft
PSU300	3"	10 ft	8 ft

Part No.	D	L	Recommended hanger spacing	Part No.	D	L	Recommended hanger spacing
PRM016	16 mm	10 ft	5 ft	PRM063	63 mm	10 ft	8 ft
PRM020	20 mm	10 ft	5 ft	PRM075	75 mm	10 ft	8 ft
PRM025	25 mm	10 ft	6 ft	PRM090	90 mm	10 ft	8 ft
PRM032	32 mm	10 ft	7 ft	PRM110	110 mm	10 ft	8 ft
PRM040	40 mm	10 ft	8 ft	PRM125	125 mm	10 ft	8 ft
PRM050	50 mm	10 ft	8 ft	PRM160	160 mm	10 ft	8 ft