

BIS Cablefix Universal cable support



Multiple cables



Varied diameters



Solid fixing on rail

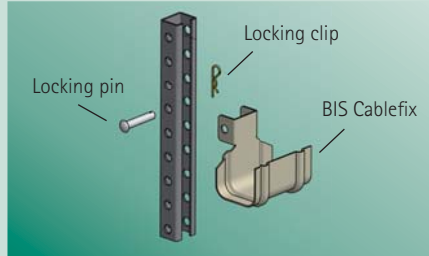
Ideal use for railway, subway and tunnel infrastructures

- Easy to install, without tools
- Multiple cables per clamp possible, if so wished in varied diameters
- Insulation coating for electrical cables (Part No. 679 4 XXX)
- For all types of low and medium voltage electrical cables, telecommunication cables, cable protection pipes

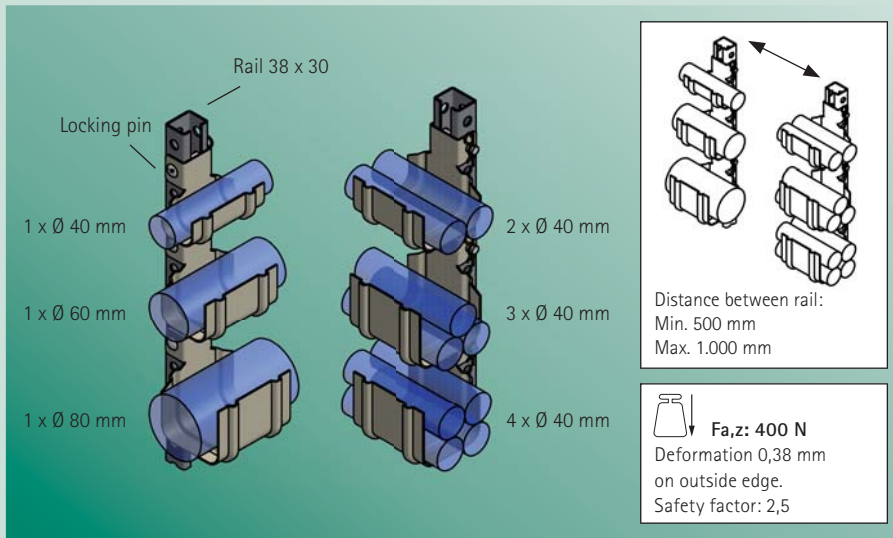
BIS Cablefix Universal cable support

Application

BIS Cablefix is a support clamp for one or more low and medium voltage cables in electrical and telecommunication installations. It consists of a steel clamp, available with different surface coatings, with a Dacromet coated fixing steel locking clip and locking pin. Suitable for fixing on BIS Fixing Rail 38 x 30 with slotted sides.



Quick installation



Technical data

Part No.		For cable size (mm)		Material	Salt spray test (ASTM-B117)
679 4 040	40	679 4 080	80		
679 4 060	60	679 4 100	100	Pre-galvanized Steel + Plastic coating	2.000 hrs
679 5 040	40	679 5 080	80	Pre-galvanized Steel	150 hrs
679 5 060	60	679 5 100	100	Pre-galvanized Steel	150 hrs
679 6 040	40	679 6 080	80	Hot Dip Galvanized Steel	600 hrs
679 6 060	60	679 6 100	100	Hot Dip Galvanized Steel	600 hrs

The pin fastener components have a Dacromet coating (salt spray test: 600 hrs).

BIS Fixing Rail 38 x 30		
Part No.	Length (m)	Material
650 3 026	2	Hot Dip Galvanized Steel
650 4 026	2	Pre-galvanized Steel
Special rail length on request - please consult us for minimum volume.		

The Netherlands Scandinavia - Finland

Walraven B.V.
P.O. Box 15
3640 AA Mijdrecht (NL)
Tel. +31 (0)297 23 30 00
Fax +31 (0)297 23 30 99
info@walraven.com



United Kingdom Ireland

Walraven Ltd.
Thorpe Way, Banbury (GB)
Oxon, OX16 4UU
Tel. +44 (0)1295 75 34 00
Fax +44 (0)1295 75 34 28
sales.banbury@walraven.com



Germany Austria - Switzerland - South East Europe

Walraven GmbH
Postfach 125128
95425 Bayreuth (DE)
Tel. +49 (0)921 75 60 0
Fax +49 (0)921 75 60 111
info@walraven.de

Other countries

Walraven International
P.O. Box 15
3640 AA Mijdrecht (NL)
Tel. +31 (0)297 23 30 00
Fax +31 (0)297 23 30 99
export@walraven.com



Walraven Group

Mijdrecht (NL) · Tienen (BE) · Bayreuth (DE)
Grenoble (FR) · Banbury (GB) · Madrid (ES)
Barcelona (ES) · Mladá Boleslav (CZ)
Kraków (PL) · Kyiv (UA) · Moscow (RU)
Detroit (US) · Shanghai (CN)

walraven.com

Your wholesaler: