

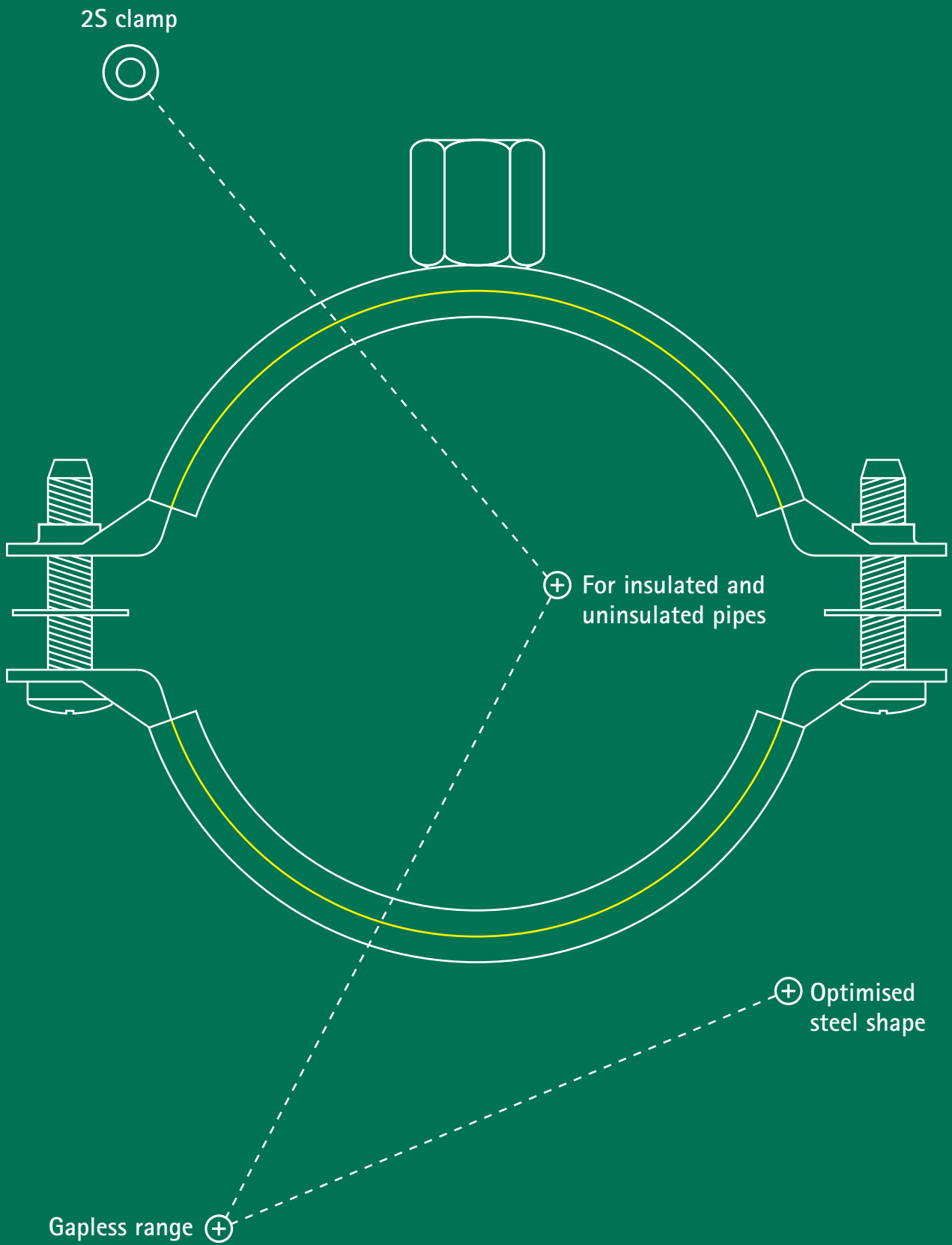
New and improved!



## 2S clamps

Standard pipe clamps, gapless range





## Inspired by smart solutions from the start

Walraven is a globally active company in the installation industry, founded in 1942. We have always been dedicated to make the work of our customers easier and more effective. With simple and smart solutions, comprehensive services and excellent support.

Walraven. The value of smart

# 2S lined clamp

For uninsulated pipes

## Product information

With the 2S Walraven offers a standard lined clamp to fix uninsulated steel, copper and multilayer pipes  $\varnothing$  10 mm up to and including  $\varnothing$  225 mm. The gapless range has an optimised steel design and provides a solution for every medium load in accordance with RAL GZ-655.



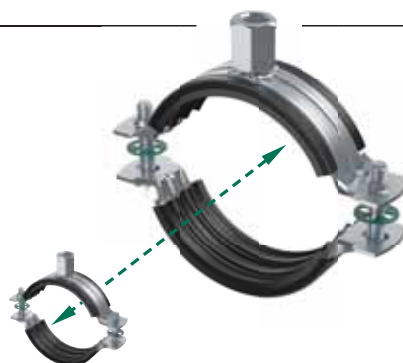
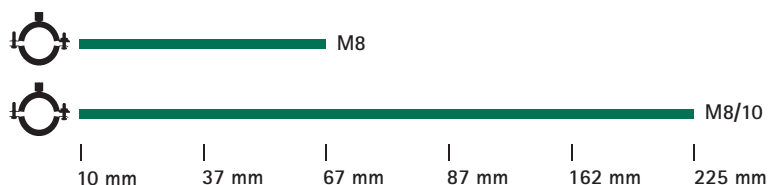
## Features and benefits

- Two-screw clamp
- For uninsulated pipes
- Gapless range  $\varnothing$  10 - 225 mm
- Material: Steel
- Surface treatment: Zinc plated
- Lining: EPDM
- Standard clamp with optimised steel design
- Screws secured with anti-loss washer
- Good strength vs material usage
- Medium safe load according RAL GZ-655

## Type of pipe

- Steel
- Copper
- Cast iron
- Plastic (multilayer)

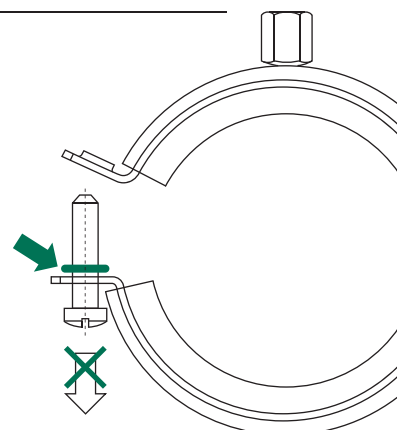
## Full range of clamps



## Secured screws

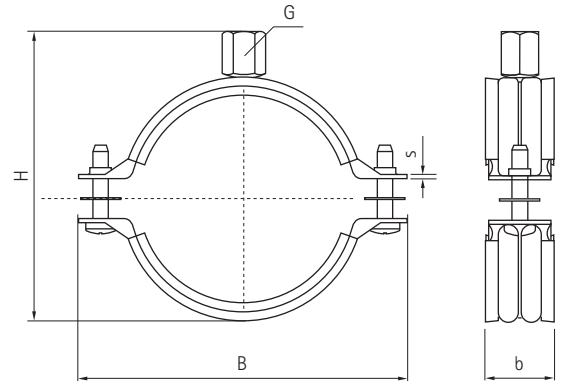


*Anti-loss washers  
prevent screws from  
falling out*



# 2S lined clamp

For uninsulated pipes



## Technical data

Part No.	D (mm)	D (")	DN	G	B (mm)	H (mm)	b x s (mm)	Fa,z (N)	Box qty (pcs)
33335014	10 - 14	1/8 - 1/4	6 - 8	M8	51	32	20 x 1.00	330	50
33335019	15 - 19	3/8	10	M8	56	37	20 x 1.00	330	50
33335024	20 - 24	1/2	15	M8	62	43	20 x 1.00	330	50
33335030	25 - 30	3/4	20	M8	69	50	20 x 1.00	330	50
33335037	31 - 37	1	25	M8	75	56	20 x 1.00	330	50
33335046	38 - 46	1 1/4	32	M8	84	66	20 x 1.25	500	50
33335052	47 - 52	1 1/2	40	M8	93	75	20 x 1.25	500	50
33335061	53 - 61	2	50	M8	99	81	20 x 1.25	500	50
33335067	62 - 67	-	-	M8	106	87	20 x 1.25	500	50
33435014	10 - 14	1/8 - 1/4	6 - 8	M8/10	51	40	20 x 1.00	330	50
33435019	15 - 19	3/8	10	M8/10	56	45	20 x 1.00	330	50
33435024	20 - 24	1/2	15	M8/10	62	51	20 x 1.00	330	50
33435030	25 - 30	3/4	20	M8/10	69	58	20 x 1.00	330	50
33435037	31 - 37	1	25	M8/10	75	64	20 x 1.00	330	50
33435046	38 - 46	1 1/4	32	M8/10	84	74	20 x 1.25	500	50
33435052	47 - 52	1 1/2	40	M8/10	93	83	20 x 1.25	500	50
33435061	53 - 61	2	50	M8/10	99	89	20 x 1.25	500	50
33435067	62 - 67	-	-	M8/10	106	95	20 x 1.25	500	50
33435074	68 - 74	-	-	M8/10	118	103	20 x 1.50	850	50
33435081	75 - 81	2 1/2	65	M8/10	124	109	20 x 1.50	850	50
33435087	82 - 87	-	-	M8/10	130	115	20 x 1.50	850	50
33435095	88 - 95	3	80	M8/10	143	127	23 x 2.00	1,000	50
33435103	96 - 103	-	-	M8/10	153	136	23 x 2.00	1,000	50
33435112	104 - 112	-	-	M8/10	159	142	23 x 2.00	1,000	25
33435118	113 - 118	4	100	M8/10	168	151	23 x 2.00	1,000	25
33435127	119 - 127	-	-	M8/10	178	161	23 x 2.00	1,000	25
33435137	128 - 137	-	-	M8/10	185	168	23 x 2.00	1,000	25
33435144	138 - 144	5	125	M8/10	194	177	23 x 2.00	1,000	25
33435153	145 - 153	-	-	M8/10	203	186	23 x 2.00	1,000	25
33435162	154 - 162	-	-	M8/10	211	194	23 x 2.00	1,000	15
33435172	163 - 172	6	150	M8/10	227	210	25 x 2.50	2,350	15
33435183	173 - 183	-	-	M8/10	239	221	25 x 2.50	2,350	15
33435194	184 - 194	-	-	M8/10	249	232	25 x 2.50	2,350	15
33435205	195 - 205	-	-	M8/10	260	243	25 x 2.50	2,350	15
33435216	206 - 216	-	-	M8/10	271	253	25 x 2.50	2,350	10
33435225	217 - 225	8	200	M8/10	279	261	25 x 2.50	2,350	10



Small  
CHANGES CAN MAKE  
**A BIG**  
DIFFERENCE.

# 2S unlined clamp

For insulated pipes

## Product information

With the 2S Walraven offers a standard unlined clamp to fix insulated steel, copper and multilayer pipes  $\varnothing$  10 mm up to and including  $\varnothing$  225 mm. The gapless range has an optimised steel design and provides a solution for every medium load in accordance with RAL GZ-655.



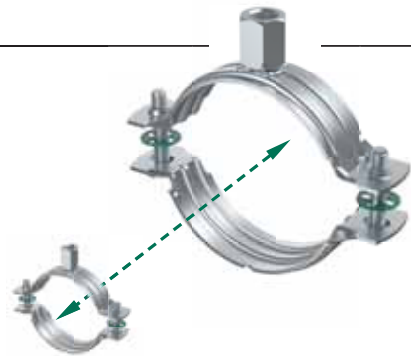
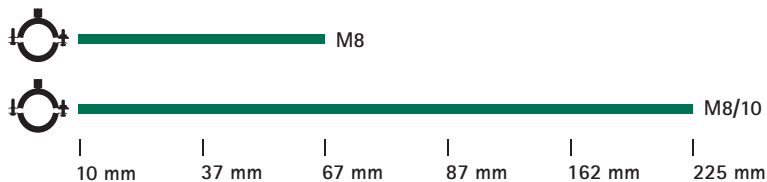
## Features and benefits

- Two-screw clamp
- For insulated pipes
- Gapless range  $\varnothing$  10 - 225 mm
- Material: Steel
- Surface treatment: Zinc plated
- Standard clamp with optimised steel design
- Screws secured with anti-loss washer
- Good strength vs material usage
- Medium safe load according RAL GZ-655

## Type of pipe

- Steel
- Copper
- Cast iron
- Plastic (multilayer)

## Full range of clamps



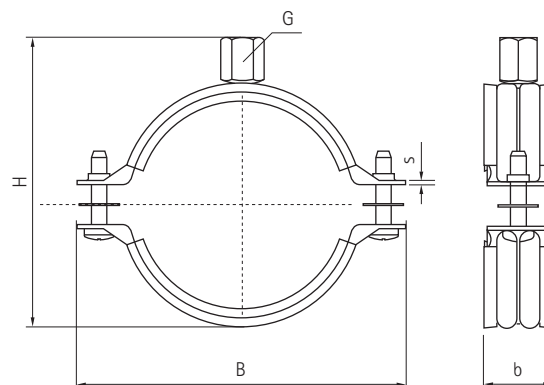
## Pipe insulation



*Ideal used with  
load-bearing insulated  
pipe supports*

# 2S unlined clamp

For insulated pipes



## Technical data

Part No.	D (mm)	D (")	DN	G	B (mm)	H (mm)	b x s (mm)	Fa,z (N)	Box qty (pcs)
33025014	10 - 14	1/8 - 1/4	6 - 8	M8	46	27	20 x 1.00	700	50
33025019	15 - 19	3/8	10	M8	51	32	20 x 1.00	700	50
33025024	20 - 24	1/2	15	M8	56	37	20 x 1.00	700	50
33025030	25 - 30	3/4	20	M8	62	43	20 x 1.00	700	50
33025037	31 - 37	1	25	M8	69	50	20 x 1.00	700	50
33025046	38 - 46	1 1/4	32	M8	78	60	20 x 1.25	950	50
33025052	47 - 52	1 1/2	40	M8	84	66	20 x 1.25	950	50
33025061	53 - 61	2	50	M8	93	75	20 x 1.25	950	50
33025067	62 - 67	-	-	M8	99	81	20 x 1.25	950	50
33035014	10 - 14	1/8 - 1/4	6 - 8	M8/10	46	35	20 x 1.00	700	50
33035019	15 - 19	3/8	10	M8/10	51	40	20 x 1.00	700	50
33035024	20 - 24	1/2	15	M8/10	56	45	20 x 1.00	700	50
33035030	25 - 30	3/4	20	M8/10	62	51	20 x 1.00	700	50
33035037	31 - 37	1	25	M8/10	69	58	20 x 1.00	700	50
33035046	38 - 46	1 1/4	32	M8/10	78	68	20 x 1.25	950	50
33035052	47 - 52	1 1/2	40	M8/10	84	74	20 x 1.25	950	50
33035061	53 - 61	2	50	M8/10	93	83	20 x 1.25	950	50
33035067	62 - 67	-	-	M8/10	99	89	20 x 1.25	950	50
33035074	68 - 74	-	-	M8/10	111	96	20 x 1.50	1,400	50
33035081	75 - 81	2 1/2	65	M8/10	118	103	20 x 1.50	1,400	50
33035087	82 - 87	-	-	M8/10	124	109	20 x 1.50	1,400	50
33035095	88 - 95	3	80	M8/10	136	119	23 x 2.00	2,000	50
33035103	96 - 103	-	-	M8/10	143	127	23 x 2.00	2,000	50
33035112	104 - 112	-	-	M8/10	153	136	23 x 2.00	2,000	25
33035118	113 - 118	4	100	M8/10	159	142	23 x 2.00	2,000	25
33035127	119 - 127	-	-	M8/10	168	151	23 x 2.00	2,000	25
33035137	128 - 137	-	-	M8/10	178	161	23 x 2.00	2,000	25
33035144	138 - 144	5	125	M8/10	185	168	23 x 2.00	2,000	25
33035153	145 - 153	-	-	M8/10	194	177	23 x 2.00	2,000	25
33035162	154 - 162	-	-	M8/10	203	186	23 x 2.00	2,000	25
33035172	163 - 172	6	150	M8/10	217	199	25 x 2.50	3,300	25
33035183	173 - 183	-	-	M8/10	227	210	25 x 2.50	3,300	15
33035194	184 - 194	-	-	M8/10	239	221	25 x 2.50	3,300	15
33035205	195 - 205	-	-	M8/10	249	232	25 x 2.50	3,300	15
33035216	206 - 216	-	-	M8/10	260	243	25 x 2.50	3,300	15
33035225	217 - 225	8	200	M8/10	271	253	25 x 2.50	3,300	10

## Find out how we can support you

Would you like to find out more about any of the solutions described in this brochure?  
Or would you like to discuss how we could help you find the best possible solution for your project? Get in touch today!

### Singapore

South East Asia & Pacific

#### Walraven Pte. Ltd.

71 Lorong 23 Geylang #06-14

388386 Singapore (SG)

Tel. +65 6970 0605

customerservice.sg@walraven.com

### Walraven Group

Mijdrecht (NL) · Tienen (BE) · Bayreuth (DE) · Banbury (GB) · Malmö (SE) · Grenoble (FR) · Barcelona (ES) · Kraków (PL)

Mladá Boleslav (CZ) · Moscow (RU) · Kyiv (UA) · Danville (US) · Shanghai (CN) · Dubai (AE) · Budapest (HU) · Mumbai (IN)

Singapore (SG) · Burlington (CA)

