

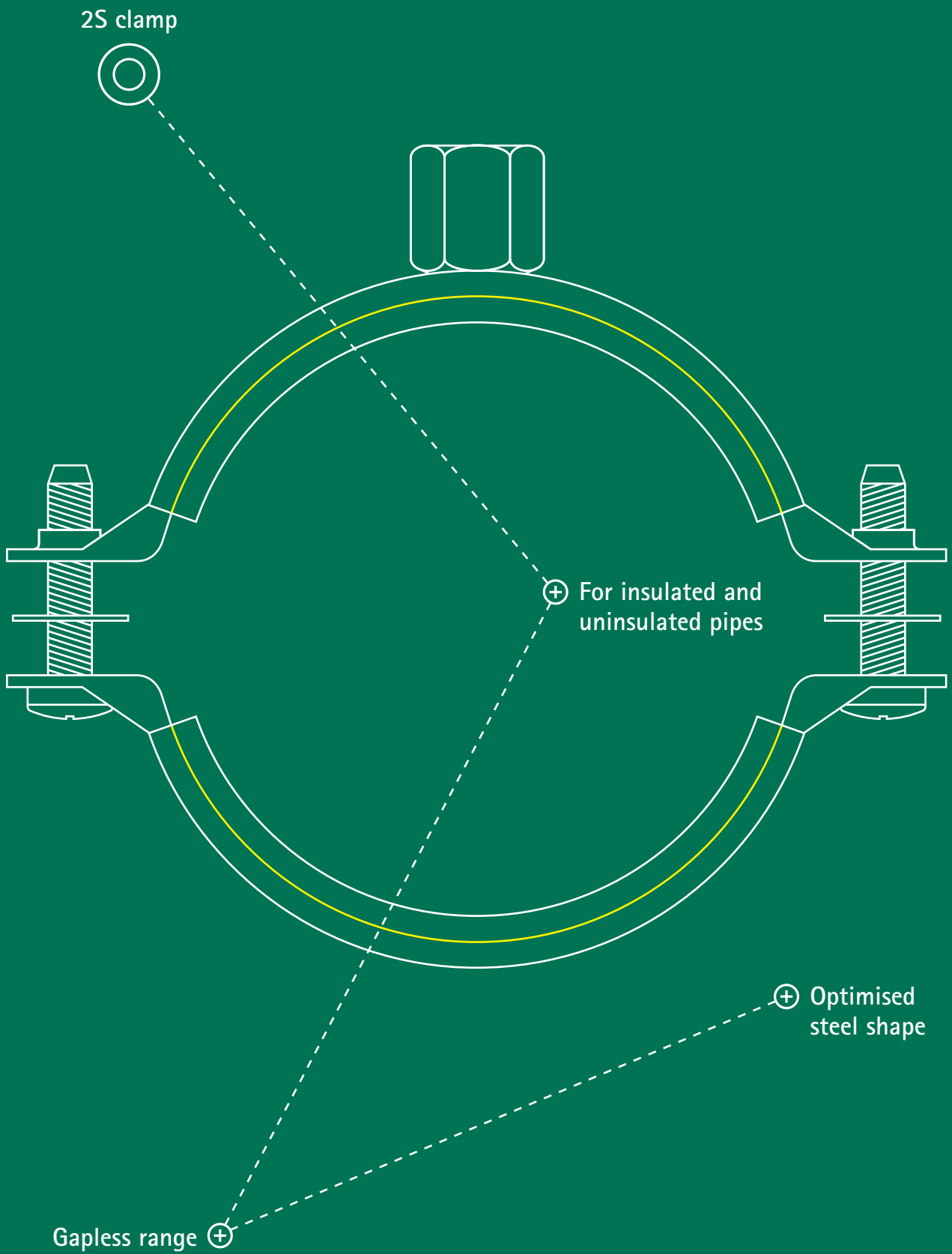
New and improved!



## 2S clamps

Standard pipe clamps, gapless range





## Inspired by smart solutions from the start

Walraven is a globally active company in the installation industry, founded in 1942. We have always been dedicated to make the work of our customers easier and more effective. With simple and smart solutions, comprehensive services and excellent support.

Walraven. The value of smart

# 2S lined clamp

For uninsulated pipes

## Product information

With the 2S Walraven offers a standard lined clamp to fix uninsulated steel, copper and multilayer pipes  $\varnothing$  10 mm up to and including  $\varnothing$  225 mm. The gapless range has an optimised steel design and provides a solution for every medium load in accordance to RAL GZ-655.



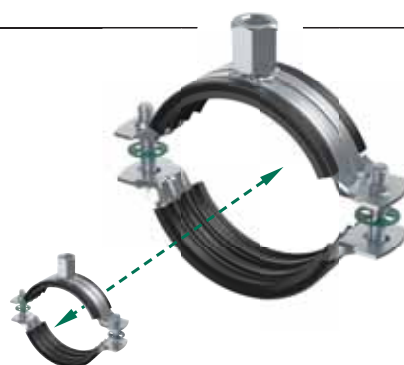
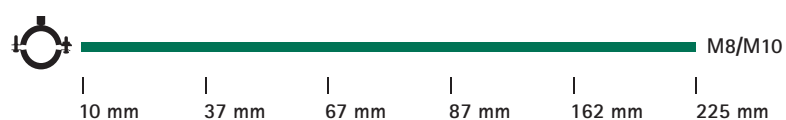
## Features and benefits

- Two-screw clamp
- For uninsulated pipes
- Gapless range  $\varnothing$  10 - 225 mm
- Material: Steel
- Surface treatment: Zinc plated
- Lining: EPDM
- Standard clamp with optimised steel design
- Screws secured with anti-loss washer
- Good strength vs material usage
- Medium safe load according RAL GZ-655

## Type of pipe

- Steel
- Copper
- Plastic (multilayer)

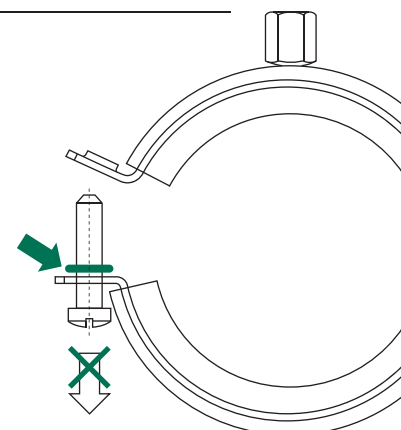
## Full range of clamps



## Secured screws

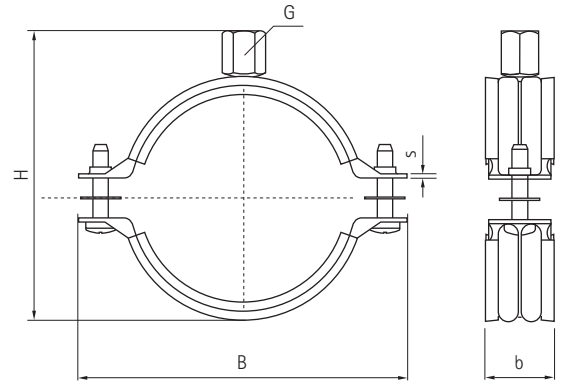


*Anti-loss washers  
prevent screws from  
falling out*



# 2S lined clamp

For uninsulated pipes



## Technical data

Art. nr.	D (mm)	D (")	DN	G	B (mm)	H (mm)	b x s (mm)	Fa,z (N)	Box qty (pcs)
33435014	10 - 14	1/8 - 1/4	6 - 8	M8/M10	51	40	20 x 1.00	330	50
33435019	15 - 19	3/8	10	M8/M10	56	45	20 x 1.00	330	50
33435024	20 - 24	1/2	15	M8/M10	62	51	20 x 1.00	330	50
33435030	25 - 30	3/4	20	M8/M10	69	58	20 x 1.00	330	50
33435037	31 - 37	1	25	M8/M10	75	64	20 x 1.00	330	50
33435046	38 - 46	1 1/4	32	M8/M10	84	74	20 x 1.25	500	50
33435052	47 - 52	1 1/2	40	M8/M10	93	83	20 x 1.25	500	50
33435061	53 - 61	2	50	M8/M10	99	89	20 x 1.25	500	50
33435067	62 - 67	-	-	M8/M10	106	95	20 x 1.25	500	50
33435074	68 - 74	-	-	M8/M10	118	103	20 x 1.50	850	50
33435081	75 - 81	2 1/2	65	M8/M10	124	109	20 x 1.50	850	50
33435087	82 - 87	-	-	M8/M10	130	115	20 x 1.50	850	50
33435095	88 - 95	3	80	M8/M10	143	127	23 x 2.00	1,000	50
33435103	96 - 103	-	-	M8/M10	153	136	23 x 2.00	1,000	50
33435112	104 - 112	-	-	M8/M10	159	142	23 x 2.00	1,000	25
33435118	113 - 118	4	100	M8/M10	168	151	23 x 2.00	1,000	25
33435127	119 - 127	-	-	M8/M10	178	161	23 x 2.00	1,000	25
33435137	128 - 137	-	-	M8/M10	185	168	23 x 2.00	1,000	25
33435144	138 - 144	5	125	M8/M10	194	177	23 x 2.00	1,000	25
33435153	145 - 153	-	-	M8/M10	203	168	23 x 2.00	1,000	25
33435162	154 - 162	-	-	M8/M10	211	194	23 x 2.00	1,000	15
33435172	163 - 172	6	150	M8/M10	227	210	25 x 2.50	2,350	15
33435183	173 - 183	-	-	M8/M10	239	221	25 x 2.50	2,350	15
33435194	184 - 194	-	-	M8/M10	249	232	25 x 2.50	2,350	15
33435205	195 - 205	-	-	M8/M10	260	243	25 x 2.50	2,350	15
33435216	206 - 216	-	-	M8/M10	271	253	25 x 2.50	2,350	10
33435225	217 - 225	8	200	M8/M10	279	261	25 x 2.50	2,350	10



Small  
CHANGES CAN MAKE  
**A BIG**  
DIFFERENCE.

# 2S unlined clamp

For insulated pipes

## Product information

With the 2S Walraven offers a standard unlined clamp to fix insulated steel and copper pipes  $\varnothing$  10 mm up to and including  $\varnothing$  225 mm. The gapless range has an optimised steel design and provides a solution for every medium load in accordance to RAL GZ-655.



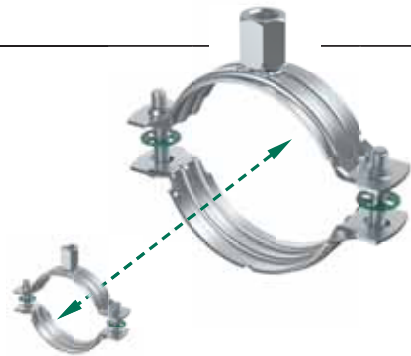
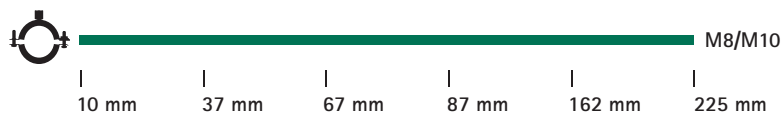
## Features and benefits

- Two-screw clamp
- For insulated pipes
- Gapless range  $\varnothing$  10 - 225 mm
- Material: Steel
- Surface treatment: Zinc plated
- Standard clamp with optimised steel design
- Screws secured with anti-loss washer
- Good strength vs material usage
- Medium safe load according RAL GZ-655

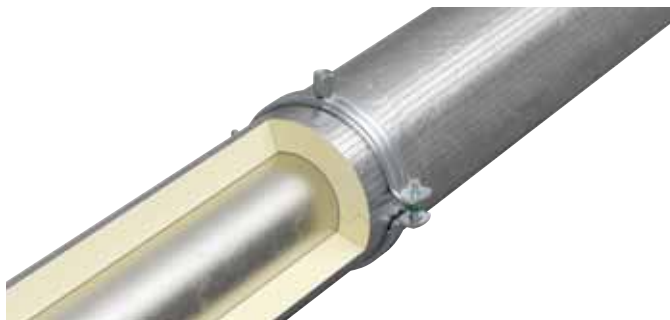
## Type of pipe

- Steel
- Copper

## Full range of clamps



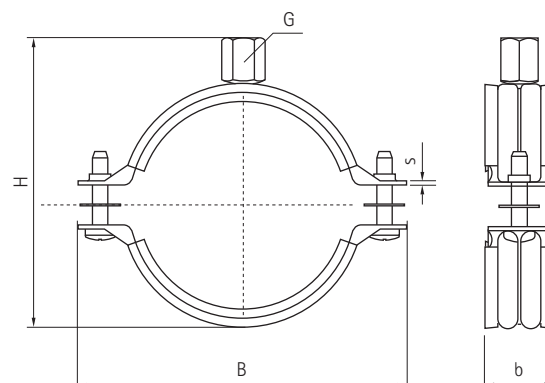
## Pipe insulation



*Ideal used with  
load-bearing insulated  
pipe supports*

# 2S unlined clamp

For insulated pipes



## Technical data

Art. nr.	D (mm)	D (")	DN	G	B (mm)	H (mm)	b x s (mm)	Fa,z (N)	Box qty (pcs)
33035014	10 - 14	1/8 - 1/4	6 - 8	M8/M10	46	35	20 x 1.00	700	50
33035019	15 - 19	3/8	10	M8/M10	51	40	20 x 1.00	700	50
33035024	20 - 24	1/2	15	M8/M10	56	45	20 x 1.00	700	50
33035030	25 - 30	3/4	20	M8/M10	62	51	20 x 1.00	700	50
33035037	31 - 37	1	25	M8/M10	69	58	20 x 1.00	700	50
33035046	38 - 46	1 1/4	32	M8/M10	78	68	20 x 1.25	950	50
33035052	47 - 52	1 1/2	40	M8/M10	84	74	20 x 1.25	950	50
33035061	53 - 61	2	50	M8/M10	93	83	20 x 1.25	950	50
33035067	62 - 67	-	-	M8/M10	99	89	20 x 1.25	950	50
33035074	68 - 74	-	-	M8/M10	111	96	20 x 1.50	1,400	50
33035081	75 - 81	2 1/2	65	M8/M10	118	103	20 x 1.50	1,400	50
33035087	82 - 87	-	-	M8/M10	124	109	20 x 1.50	1,400	50
33035095	88 - 95	3	80	M8/M10	136	119	23 x 2.00	2,000	50
33035103	96 - 103	-	-	M8/M10	143	127	23 x 2.00	2,000	50
33035112	104 - 112	-	-	M8/M10	153	136	23 x 2.00	2,000	25
33035118	113 - 118	4	100	M8/M10	159	142	23 x 2.00	2,000	25
33035127	119 - 127	-	-	M8/M10	168	151	23 x 2.00	2,000	25
33035137	128 - 137	-	-	M8/M10	178	161	23 x 2.00	2,000	25
33035144	138 - 144	5	125	M8/M10	185	168	23 x 2.00	2,000	25
33035153	145 - 153	-	-	M8/M10	194	177	23 x 2.00	2,000	25
33035162	154 - 162	-	-	M8/M10	203	186	23 x 2.00	2,000	25
33035172	163 - 172	6	150	M8/M10	217	199	25 x 2.50	3,300	25
33035183	173 - 183	-	-	M8/M10	227	210	25 x 2.50	3,300	15
33035194	184 - 194	-	-	M8/M10	239	221	25 x 2.50	3,300	15
33035205	195 - 205	-	-	M8/M10	249	232	25 x 2.50	3,300	15
33035216	206 - 216	-	-	M8/M10	260	243	25 x 2.50	3,300	15
33035225	217 - 225	8	200	M8/M10	271	253	25 x 2.50	3,300	10

## Find out how we can support you

Would you like to find out more about any of the solutions described in this brochure?  
Or would you like to discuss how we could help you find the best possible solution for your project? Get in touch today!

### United Kingdom Ireland

#### Walraven Ltd.

18 Wildmere Industrial Estate  
Banbury (GB)  
Oxon, OX16 3JU  
Tel. +44 (0)1295 75 34 00  
sales.uk@walraven.com

### Other countries

#### Walraven International

Industrieweg 5  
3641 RK Mijdrecht (NL)  
Tel. +31 297 23 30 00  
Fax +31 297 23 30 99  
export@walraven.com

### Walraven Group

Mijdrecht (NL) · Tienen (BE) · Bayreuth (DE) · Banbury (GB) · Malmö (SE) · Grenoble (FR) · Barcelona (ES) · Kraków (PL)  
Mladá Boleslav (CZ) · Moscow (RU) · Kyiv (UA) · Detroit (US) · Shanghai (CN) · Dubai (AE) · Budapest (HU) · Mumbai (IN)  
Singapore (SG)

